

WATER

Intelligent eco solutions



Roto Group is an international company specialized in the production of plastic products. The roots of the family-run business go back to 1949. ROTO employs more than 550 people in 8 factories located in different European countries. Roto generated revenues of €100 million in 2022, selling products in 65 countries around the world.

Roto is European leading rotomoulding company, producing more than 4,000 different products. The company's development is ensured by continuous innovation, new technologies and materials that ROTO develops together with scientific institutes, universities and other companies.

The Roto-branded product groups are divided into four segments: products for agriculture, garden, sport and ecology. The use of composites and biodegradable and recycled polymers enables the production of the most complex products on the market.



EY
EY world
family award

Roto also manufactures a wide range of components products for various industries such as automotive, marine, construction and agricultural machinery, aquaculture and logistics. Added value innovative design, the use of intelligent polymers and composites, upgrade of products with accessories.



Puconci | Slovenia



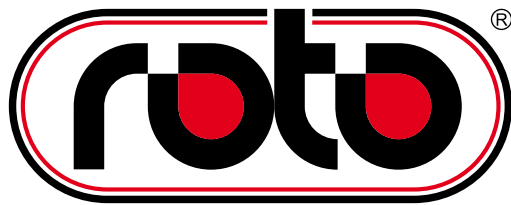
Roto Group Headquarters



Ivanić Grad | Croatia



Alibunar | Serbia



Distribution across Europe

ALWAYS NEAR TO YOUR CONSTRUCTION SITE

Slovenia

tel: +386 2 52 52 152
eco@roto.si

Austria

tel: +43 664 21 03 495
austria@roto-group.eu

Italy

tel: +39 328 225 05 17
italy@roto.si

France

tel: +33 670 29 23 42
france@roto-group.eu

England

tel: +44 (0) 7880 603010
sales@roto-group.co.uk

Germany

tel: +49 (0) 151 67188855
info@rotoeco.de

Hungary

tel: +36 30 500 9003
hungary@roto-group.eu

Croatia

tel: +385 91 14 395 12
info@roto-grad.t-com.hr

tel: +385 98 240 332
info@okiroto.hr

Serbia

tel: +381 66 668 00 43
alibunar@roto.si

Macedonia

tel: +389 3 33 63 516
zoran@roto.mk

Bosnia

tel: +387 33 780 096
prodaja@roto.ba

Bulgaria

tel: +359 88 676 67 97
bulgaria@roto-group.eu

Slovakia

tel: +421 905 258 292
slovakia@roto-group.eu

Roto companies Production Distributors





WATER

water tanks, waste water treatment plants, oil separators, septic tanks, shafts



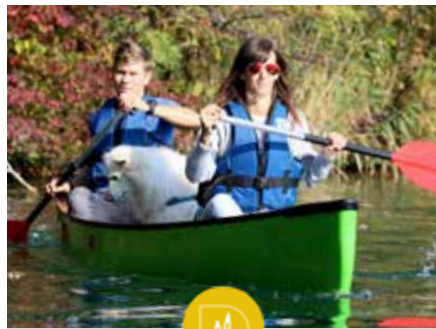
AGRI

winebarrels, barrels for brandy, vinegar, sauerkraut containers, silo, wheelbarrows



GARDEN

planters and flower pots, garden figures, garden furniture, ponds, composters



SPORT

kayaks, canoes, boats, karting barriers



LOGISTICS

containers, pallets, road barriers, karting equipment

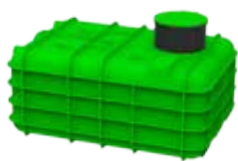


INDUSTRY

agricultural machinery, caravanning, nautic, moto



RoBox 39



RoTerra 26



RoCko 32



RoQuadro 40



Water tanks

EcoBox 44



RoClean 46



RoEco 56



EcoBlue 58



Waste water treatment plants

EcoFloat 62



RoSeptic 70



RoSeptic 71



RoCube 68



Septic tanks

RoGra 75



RoFett 74



RoGre 77



RoMast 78



Grease separators

RoSep 80



RoPetrol 86



RoOil 87



RoOil 88



Oil separators

Drainage shafts 92



Water calming shafts 98



Road gullies 99



Water meter 100



Shafts

RoPump 1104



GRP pumping stations 110



Accessories 112



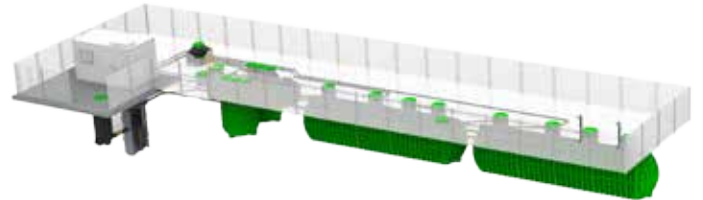
Spare parts 120



Pumping stations



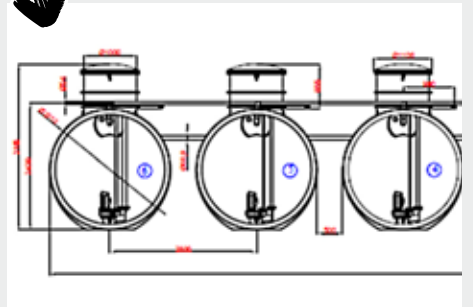
ROTO technical team provides you with comprehensive support from the start of the project to the management of the facility. ROTO's smart water management solutions include a full range of services, from project development, design and engineering to procurement of system components and project management through technical operations and maintenance. We can also prepare all the necessary project documentation for you.



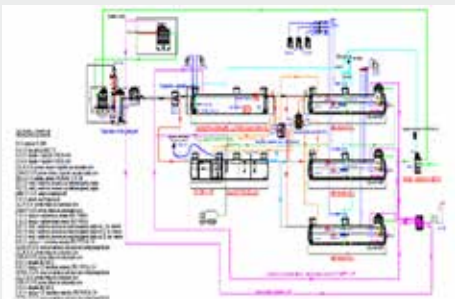
Check the existing input data



Visit the construction site



Searching for the optimal technical solutions



Project management, obtaining the required building approvals



Installation of products and hand over the required technical documentation



Operation and maintenance

Products Selection

Contact a ROTO distributor for assistance with selection and sizing. Our friendly and knowledgeable experts are here to help. With product configurator you can easily select, design, configure, price and quote appropriate product or system solutions for your industrial, municipal or commercial project and applications through ROTO ECO calculators. Drawings and technical description are available to designers and architects on professional software libraries like BIM.



Special product for your project

The ROTO water products could be customised to your specifications and needs. They can be delivered, installed and supported by a ROTO technical team that knows the importance of being responsive. We can also help you to upgrade the existing products and solution or adapt it according to your needs.



Support for any situation

How do I contact ROTO customer service? As an installer, you have the choice of ordering ROTO customer service from your specialist wholesaler, Roto country distributor or contacting us directly. As a private customer, we ask that you refer to a specialist installation company in your area. Membership to the ROTO technical institute is free and offers access to webinars, technical data about the products and other training resources.

Install & Operate

Ensure that your system functions at its best from day one. Find how-to guides, videos, FAQs, user manuals, technical documentation and related services to help you with installation and operation of your ROTO products. Discover a range of online engineering, installation and operation tools and up-to-date product design information that can assist you in your work today, and help you work smarter over the long run.



Spare parts shop

The ROTO online spare parts shop: 24-hour service for accessories and spare parts of our products. Get replacement ROTO parts with easy selection and fast delivery.



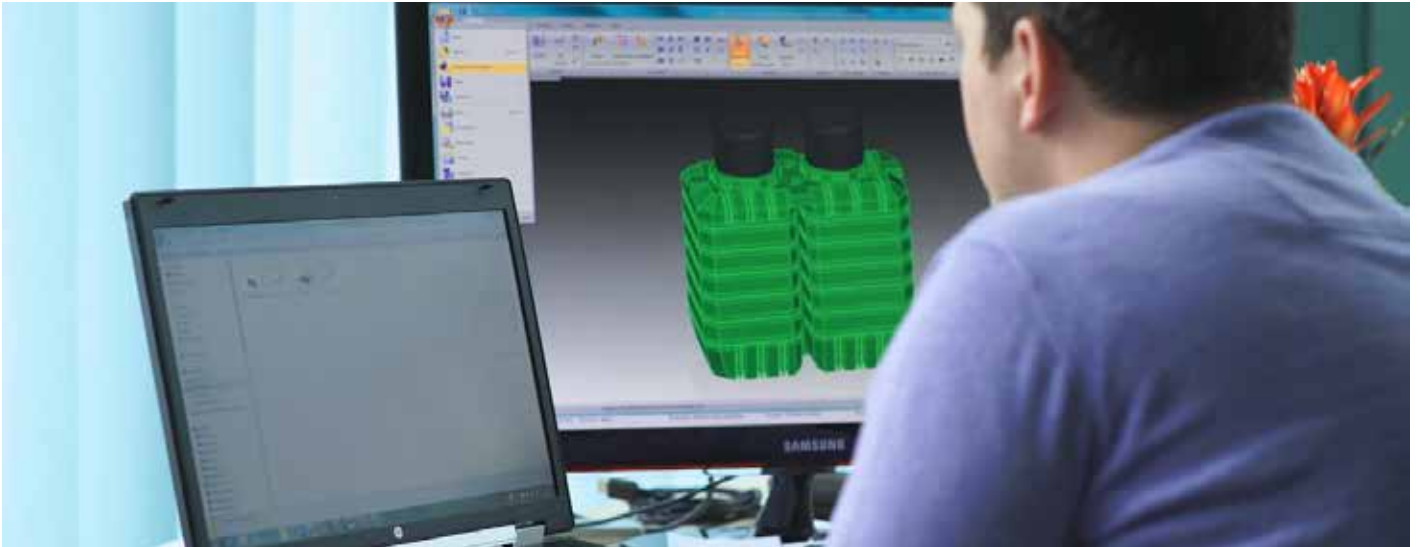
Repair & Maintain

Ensure that your system continues to function at its best. Find how-to guides, videos, FAQs and related services to help you with repair and maintenance of your ROTO products. Look for how to guides here to find quick and easy guidance and support for all phases of your project.

ROTO Digital Services means less labor and better monitoring

Ensure that your system functions at its best. Our Digital Services consist of several different offerings that can be mixed and matched to best fit your needs, from simple solutions to complex digital setups. From remote online monitoring and diagnostics to on-site service, ROTO is there when and where you need us.

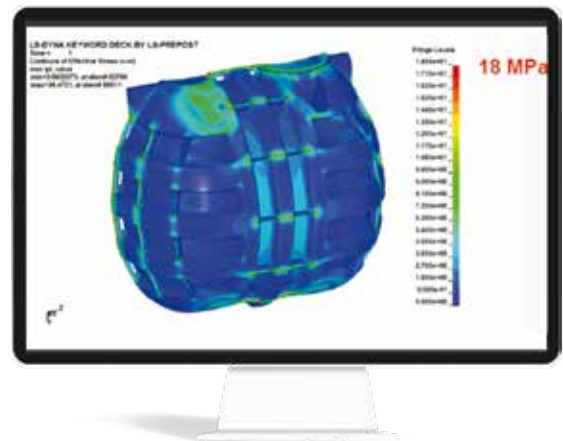




The New Product Development Department develops three new products per week

ROTO offers complete solutions to its partner companies. From 3D computer-aided product design and simulation, 3D printer prototyping, tooling, production and mass production.

We are an innovative company, always looking for new technologies, ideas and solutions. The R&D centre employs 20 people who develop more than 150 different products a year.



Product adaptation Customized and individual solutions

- Construction drawings
- Building information modeling
- Technical reports
- Construction site communication
- Adaptation of products in the factory or on construction site according to the project





Prototypes and tool making

Product development at ROTO starts with gathering input and requirements from our customers. Once the information has been gathered, concepts and solutions are developed that will lead to the desired new product. The work is supported by a design team that will guide you through each phase of the project and present you with the appropriate technical solutions on an ongoing basis.

With the capacity to print prototypes up to 2x1 m, the 3D printer makes the process from idea to solution short and cost-effective. After the design and sample have been approved, the production tools are prepared.



Production of the largest polyethylene products

The rotational moulding process makes it possible to produce tanks in one piece. ROTO production is equipped with 39 different rotating machines. Among them is a machine for making monolithic tanks up to 25,000 litres.





The ROTO laboratory analyses various waste water parameters such as BPK_5 , BOD_5 , COD, TOC, SS, etc. We also carry out in-house microscopic and microbiological analyses of waste water as well as the performance of oil traps.



Product performance test

The ROTO simulates the performance and impact of various external factors under different conditions purification efficiency, measuring the durability of materials, the watertightness etc.



Certification of ROTO products is carried out by institutes in different countries





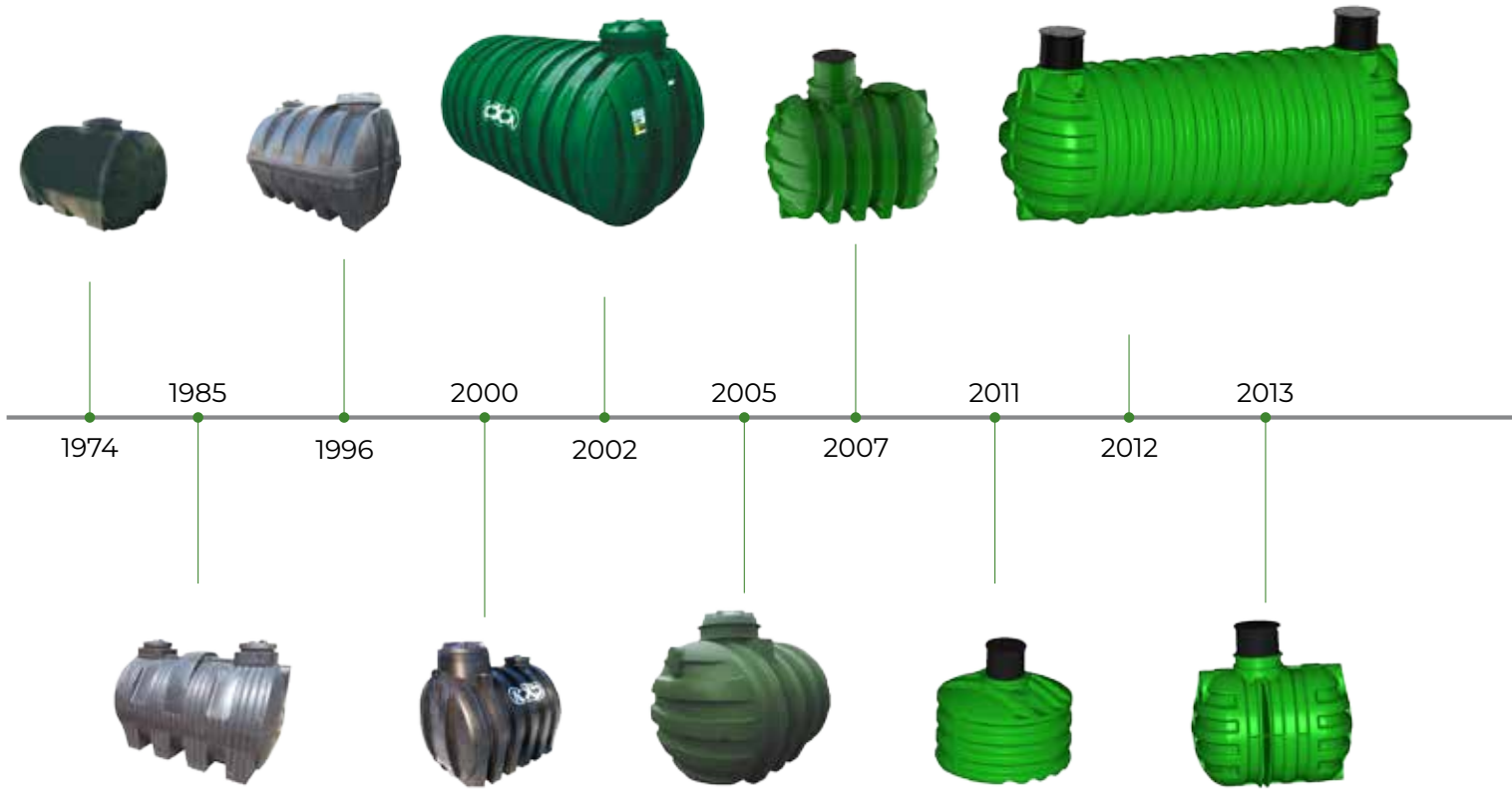
If a deeper burial is required, or if the tanks need to withstand vehicles driving over them, please let us know so that we can provide you with GRP solutions. Underground fibreglass storage tanks are a high-strength and long-lasting storage option used to contain drinking water, non-drinking water, wastewater, and chemicals. Fiberglass tanks are built with a robust outer exterior that holds up to below ground storage, while their interior fiberglass resins are built to match the liquid being stored in the tank. Vertical polyester water tanks with stand are manufactured for safe storage of various chemicals as well as for storage of every kind of water.

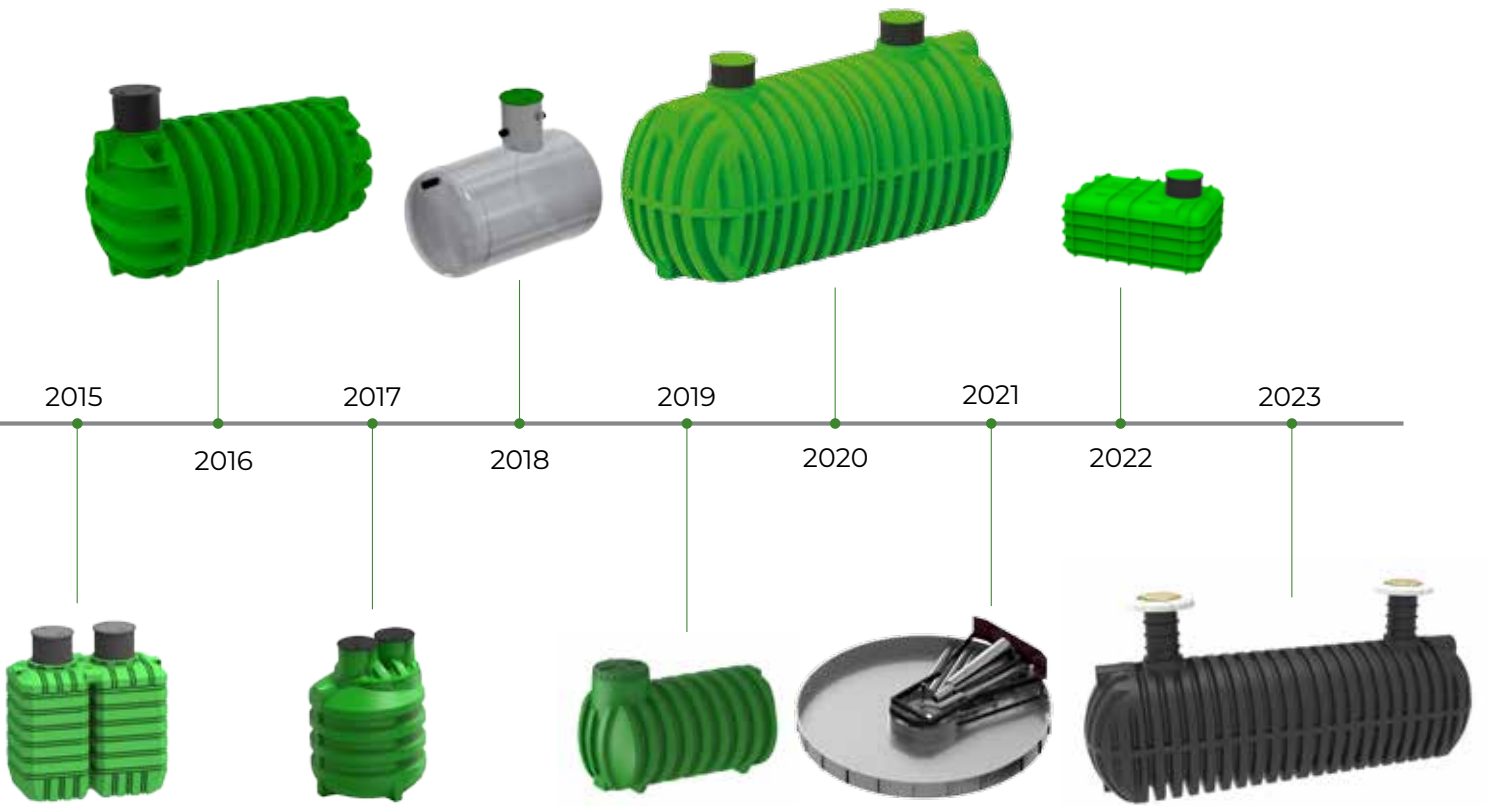


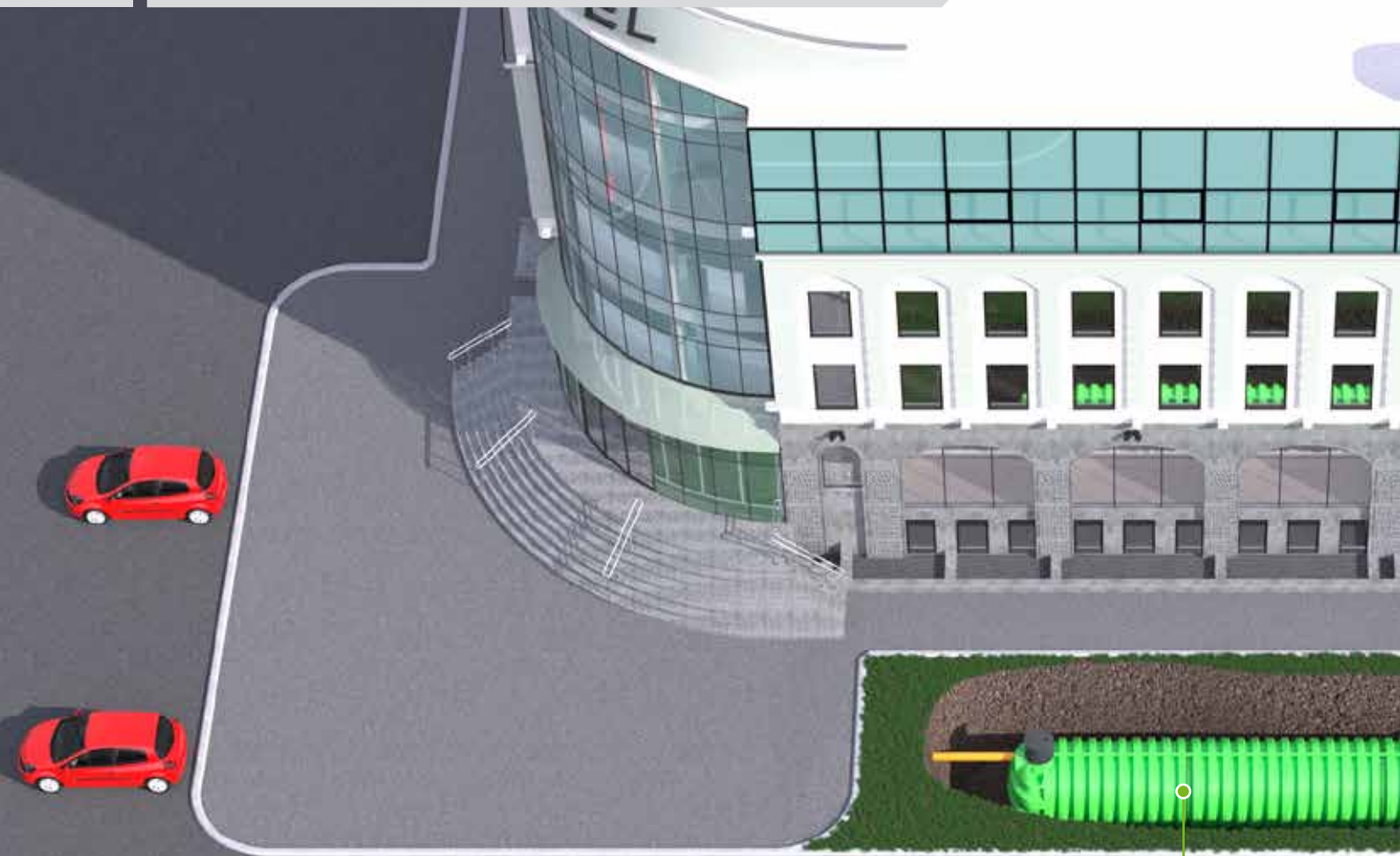
Stainless steel products

We manufacture pipelines and equipment for drinking water and waste water for water storage facilities, pumping stations, decanters for waste water treatment plants, and mixers for waste water treatment plants. We also carry out installation work on drinking water facilities.

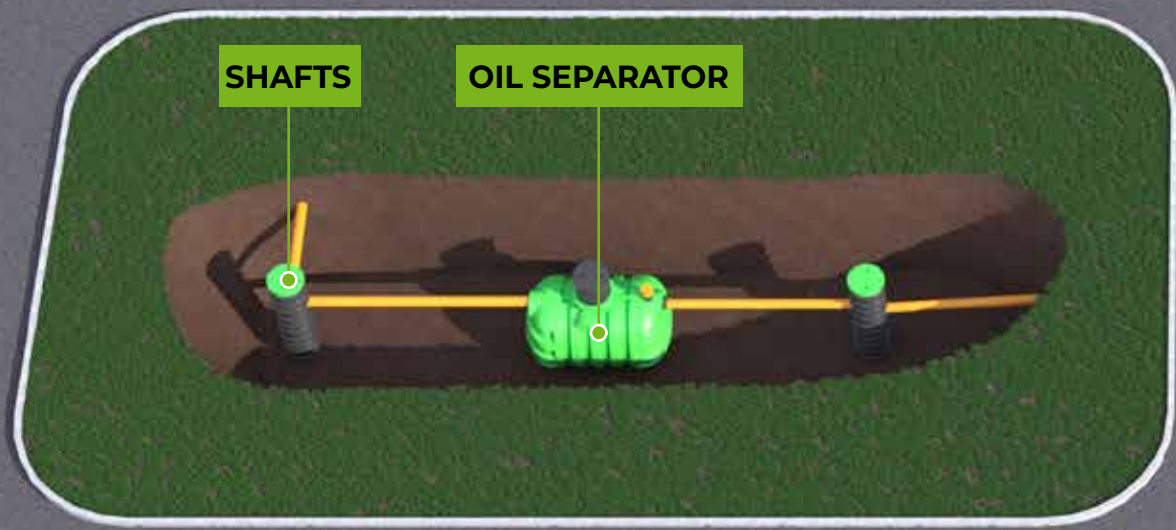






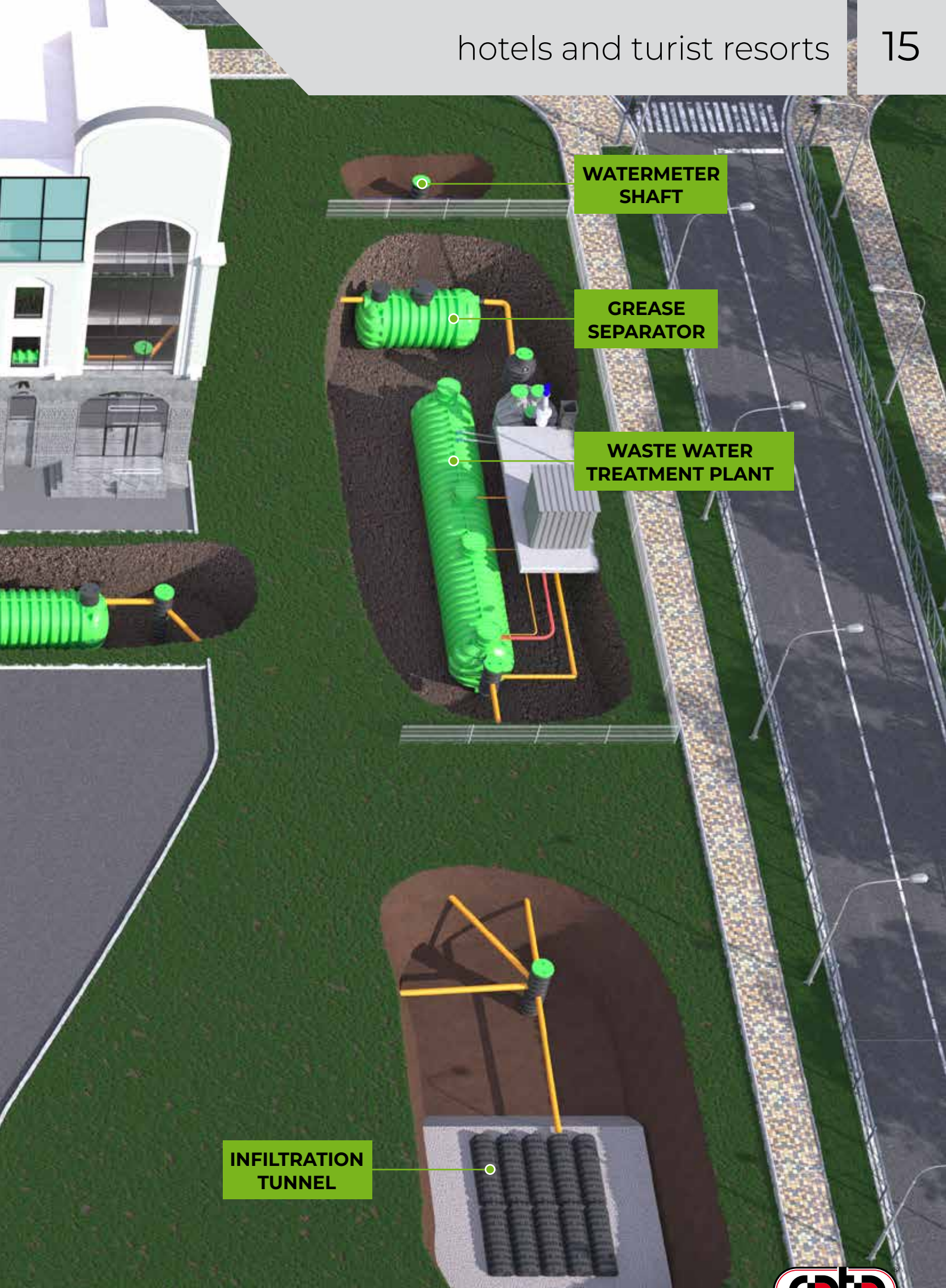


UNDERGROUND
RAINWATER
TANK



SHAFTS

OIL SEPARATOR

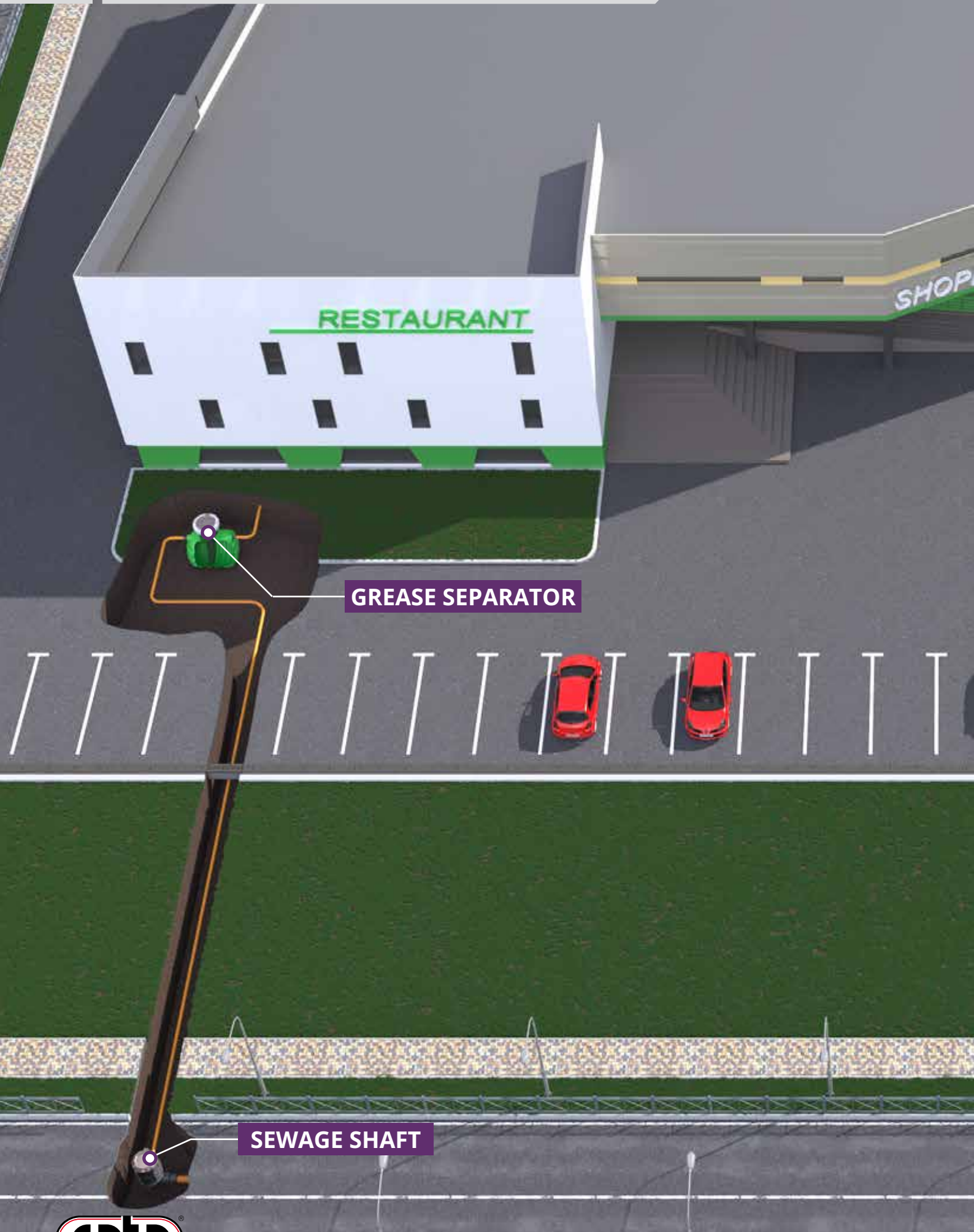


**WATERMETER
SHAFT**

**GREASE
SEPARATOR**

**WASTE WATER
TREATMENT PLANT**

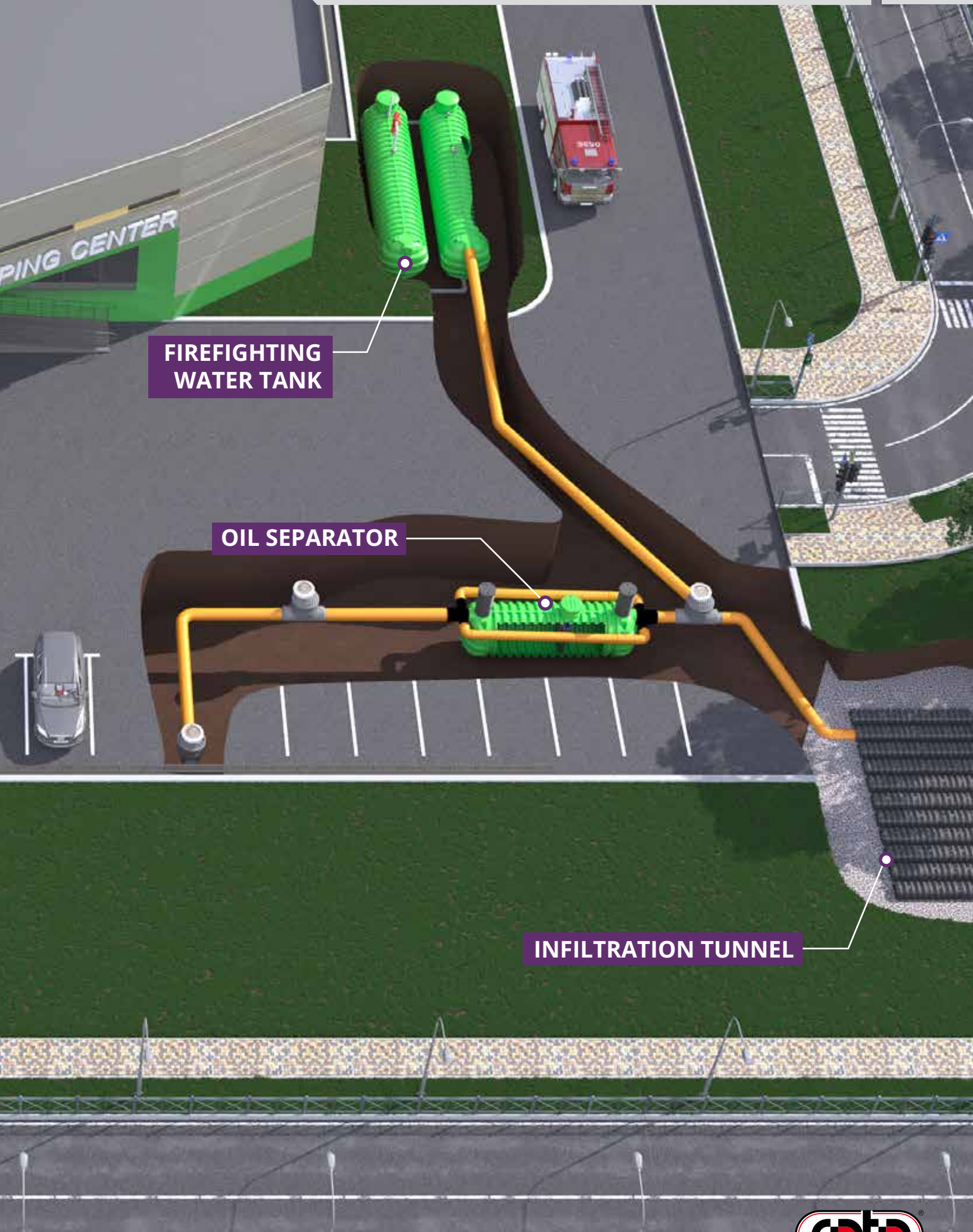
**INFILTRATION
TUNNEL**



GREASE SEPARATOR

SEWAGE SHAFT





**FIREPROOFING
WATER TANK**

OIL SEPARATOR

INFILTRATION TUNNEL

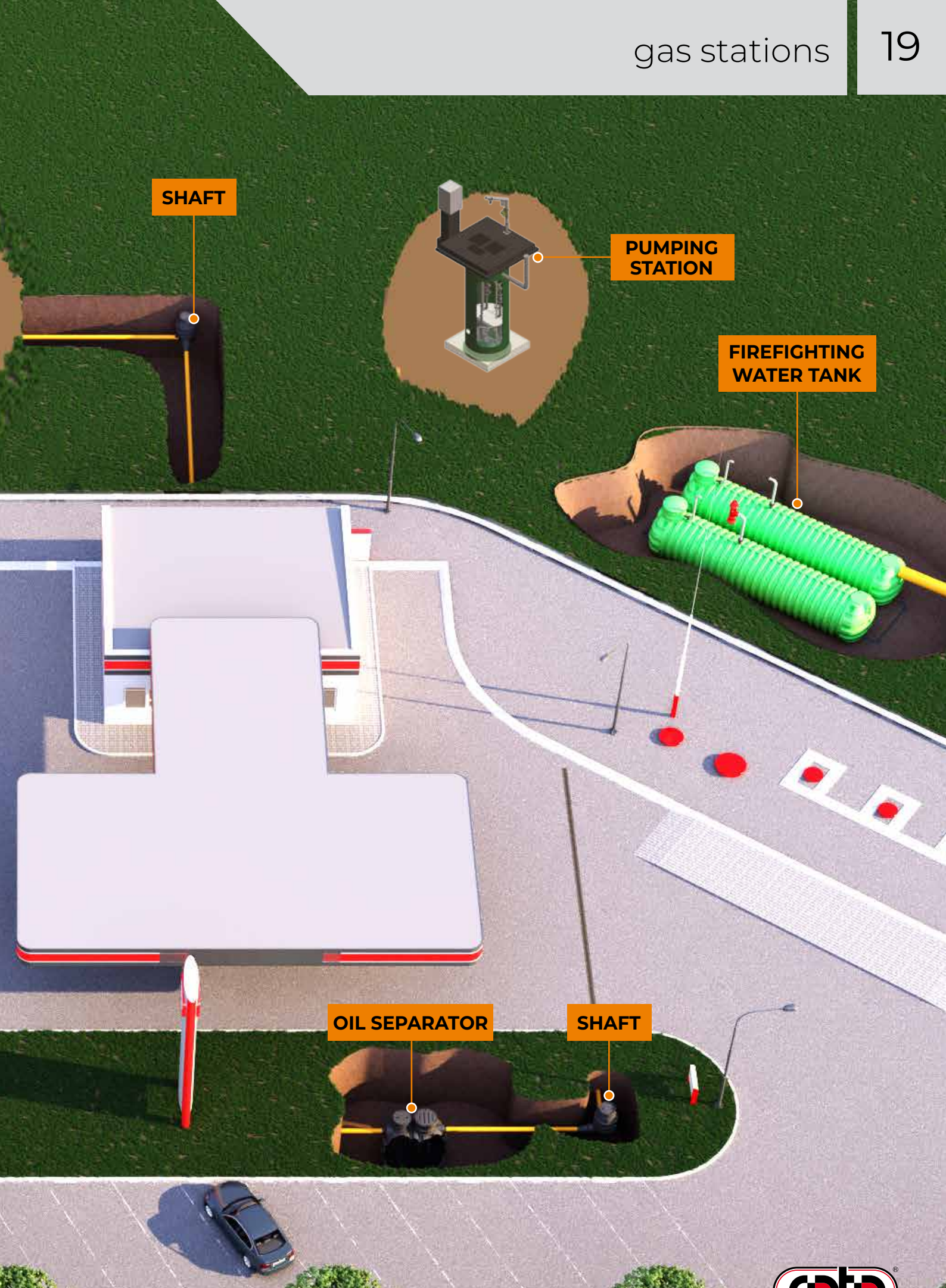


GREASE SEPARATOR

SHAFT

WASTE WATER TREATMENT PLANT

ADBLUE TANK



SHAFT

PUMPING STATION

FIREFIGHTING WATER TANK

OIL SEPARATOR

SHAFT

Roterra

Water tanks

Waste water treatment plants

Septic tanks

Grease separators

Oil separators

Shafts

Pumping stations

HINGED COVER

The Roterra tank cover with gasket ensures water tightness. The lid is hinged to the telescopic extension, making it easy to open.

TELESCOPIC EXTENSION

Telescopic extension installed on the Roterra tank is thread shaped and allows us fast and simple adjustment to the terrain. The dimensions of the extension are DN600x400 mm.

FLAT SURFACE FOR PIPE CONNECTIONS

INFLOW



OUTFLOW



POSSIBILITY OF CONNECTION

REINFORCEMENT RIBS

Reinforcing ribs on both sides ensure the stability of the tank and protection in case of high water level.



Roterra water tank features:



Tank for underground installation



Material: polyethylene



Made in one piece, 100% waterproof



Excellent statics, resistance to earth pressures and external forces



Wall thickness 8 - 14 mm



Possibility to adjust the height of the extension to the requirements of the terrain



The product can be 100% recycled after use

BASIC EQUIPMENT INCLUDES: telescopic extension and lid.



WATER TANKS



Water tanks

Waste water
treatment plants

Septic tanks

Grease separators

Oil separators

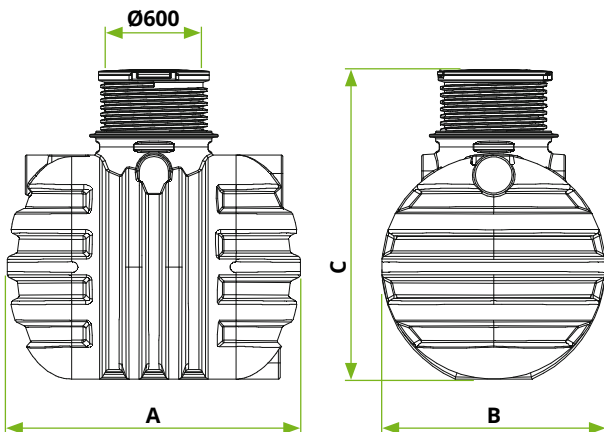
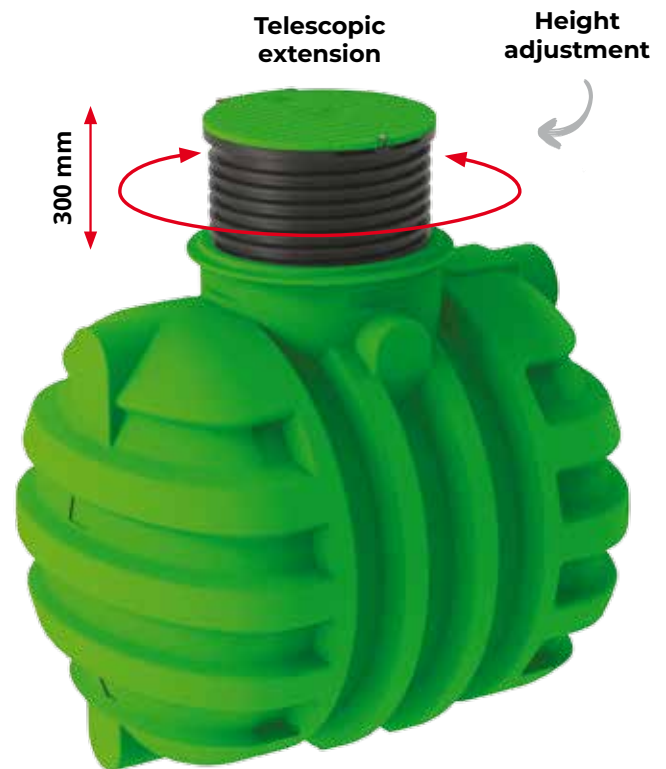
Shafts

Pumping stations

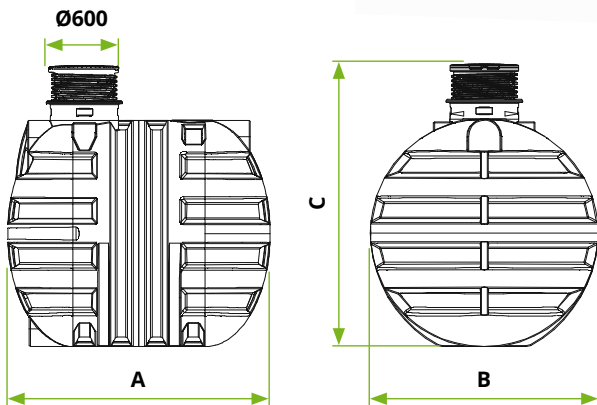
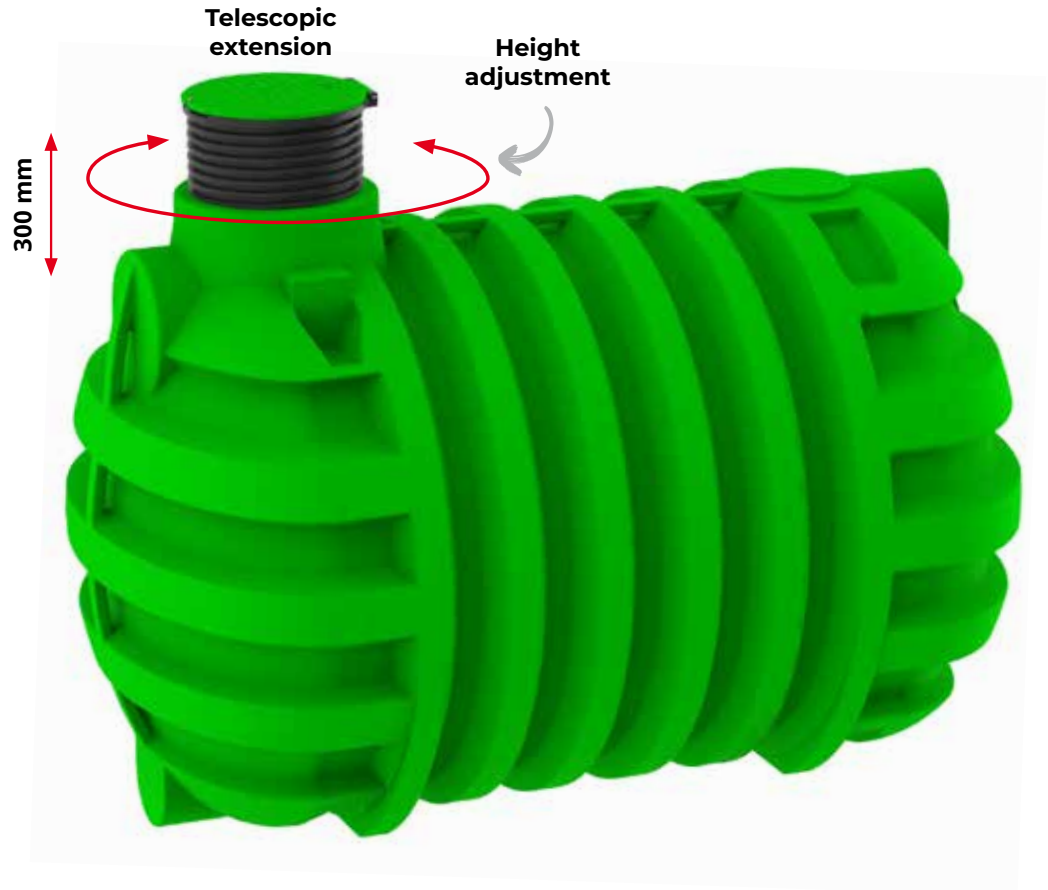
Design and excellent statics of Roterra tanks allows us fast and simple underground installation.

Polyethylene cover is installed on the telescopic extension which provides 100% watertightness. Its loading capacity is up to 0,2 kN/m² in standard PE option or up to 250 kN with solid lid covers and correct installation.

Inflow and outflow can be made on the flat surfaces, which can be prepared according to the customer requirements (for water distribution, PVC or PP pipes from DN50 to DN400).



| Volume [L] | Code | Dimensions A x B x C [mm] | Cover [mm] | Weight [kg] |
|------------|------------|------------------------------|------------|-------------|
| 2.200 | 7100067160 | 1840 x 1400 x 1600-1900 | Ø600 | 100 |
| 2.600 | 7100067180 | 2150 x 1400 x 1600-1900 | Ø600 | 115 |
| 3.000 | 7100067170 | 2400 x 1400 x 1600-1900 | Ø600 | 130 |
| 3.300 | 7100069480 | 2650 x 1400 x 1600-1900 | Ø600 | 145 |
| 3.500 | 7100067120 | 2080 x 1800 x 2050-2350 | Ø600 | 165 |
| 5.000 | 7100067130 | 2450 x 1800 x 2050-2350 | Ø600 | 195 |
| 6.000 | 7100067140 | 2820 x 1800 x 2050-2350 | Ø600 | 235 |



| Volume [L] | Code | Dimensions A x B x C [mm] | Cover [mm] | Weight [kg] |
|------------|------------|---------------------------|------------|-------------|
| 8.000 | 7100062540 | 2680 x 2300 x 2550-2850 | Ø600 | 275 |
| 10.000 | 7100069030 | 3040 x 2300 x 2550-2850 | Ø600 | 315 |
| 12.000 | 7100062500 | 3760 x 2300 x 2550-2850 | Ø600 | 365 |
| 16.000 | 7100065770 | 4840 x 2300 x 2550-2850 | Ø600 | 465 |

Roterra 2450

Water tanks

Waste water
treatment plants

Septic tanks

Grease separators

Oil separators

Shafts

Pumping stations

COVER DN 600 WITH TELESCOPIC EXTENSION

The Roterra tank cover with gasket and hinged opening ensures effective water tightness. The loading capacity of the PE cover is up to 200 kg.

DN 800 COVER OPTIONAL WITH ADDITIONAL ADAPTER

With an additional adapter, a DN 800 hinged cover can be installed.



FLAT SURFACE FOR
PIPE CONNECTIONS

INFLOW



OUTFLOW



POSSIBILITY OF
CONNECTION

NEW DESIGN

The elliptical shape of the tank ensures excellent statics, and resistance to vertical soil and groundwater forces.

INSTALLATION

The levelled bottom makes installation quick and easy. The new design requires less filling material.

Roterra 2450 water tank features:



Tank for underground
installation



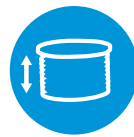
Material:
polyethylene



Excellent statics, resistance
to earth pressures and
external forces



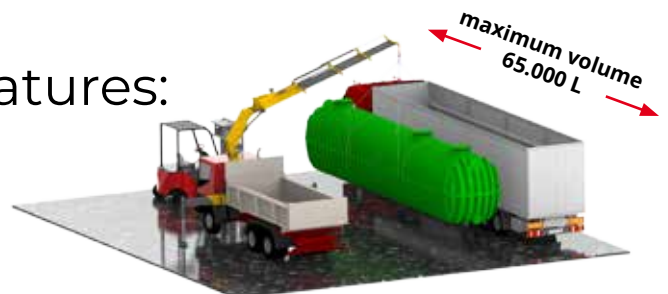
Wall thickness
8 - 14 mm



Possibility to adjust the
height of the extension to the
requirements of the terrain



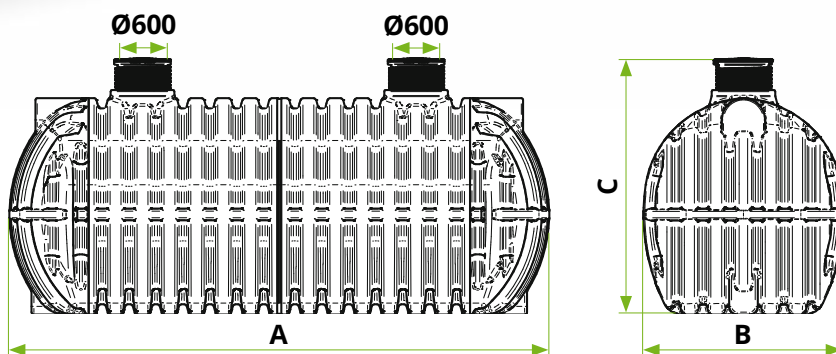
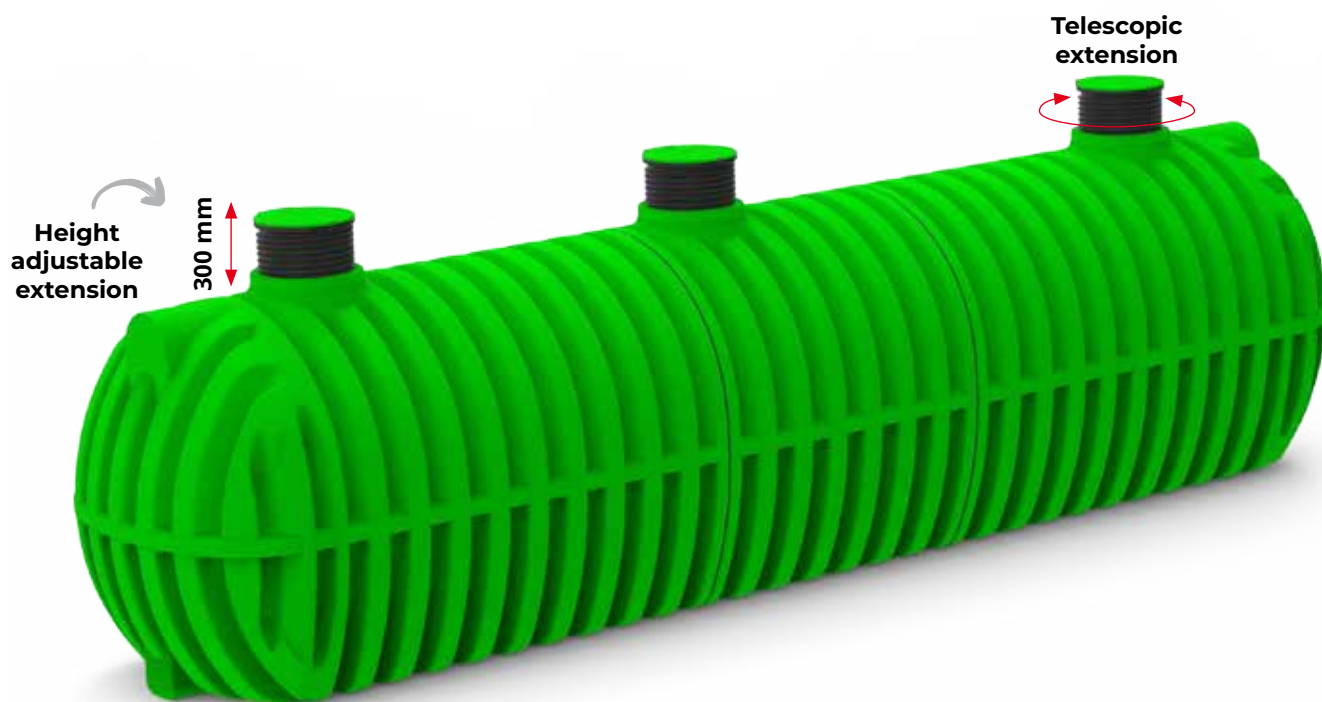
The product can be
100% recycled after use



Up to 65,000 L can be transported with one truck

BASIC EQUIPMENT INCLUDES: telescopic extension and lid.





| Volume [L] | Code | Dimensions A x B x C [mm] | Inspection opening [mm] | Weight [kg] |
|------------|------------|------------------------------|----------------------------|-------------|
| 20.000 | 7100062670 | 4540 x 2450 x 2800 - 3100 | Ø600 | 650 |
| 25.000 | 7100062700 | 5720 x 2450 x 2700 - 3000 | Ø600 | 780 |
| 30.000 | 7110030000 | 6550 x 2450 x 2700 - 3000 | 2 x Ø600 | 990 |
| 35.000 | 7110035000 | 7530 x 2450 x 2700 - 3000 | 2 x Ø600 | 1140 |
| 40.000 | 7110040000 | 8510 x 2450 x 2700 - 3000 | 2 x Ø600 | 1290 |
| 45.000 | 7110045000 | 9870 x 2450 x 2700 - 3000 | 3 x Ø600 | 1560 |
| 50.000 | 7110050000 | 10850 x 2450 x 2700 - 3000 | 3 x Ø600 | 1700 |
| 55.000 | 7110055000 | 11500 x 2450 x 2700 - 3000 | 3 x Ø600 | 1770 |
| 60.000 | 7110060000 | 12480 x 2450 x 2700 - 3000 | 3 x Ø600 | 1920 |
| 65.000 | 7110065000 | 13460 x 2450 x 2700 - 3000 | 3 x Ø600 | 2070 |

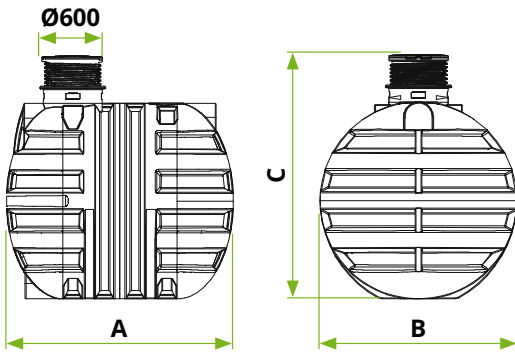
Possibility of
adjustment



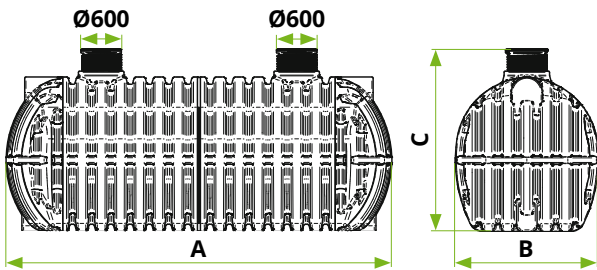
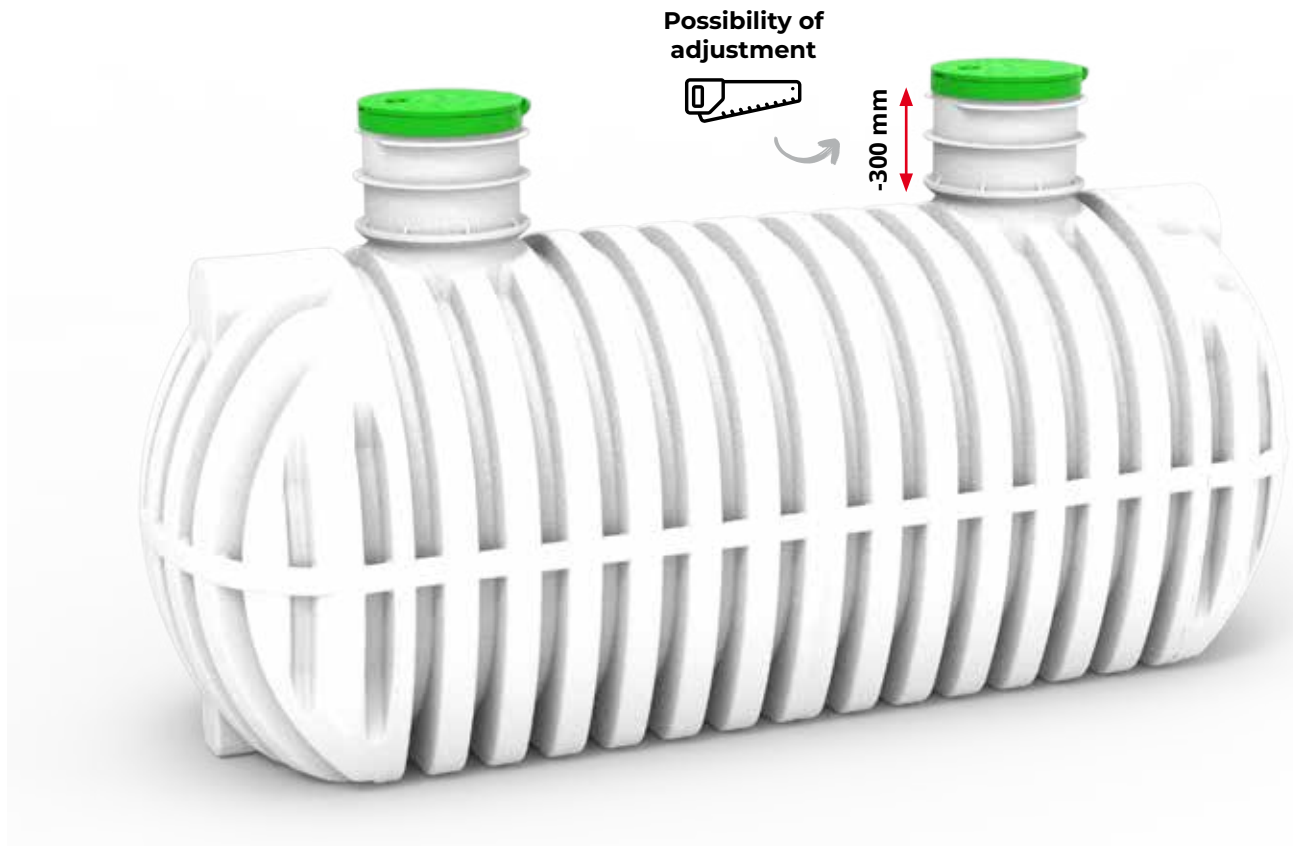
-300 mm



Rodrink tanks are certified
for drinking water:
REG2-0004-04-ZGPro1-2731



| Volume [L] | Code | Dimensions A x B x C [mm] | Inspection opening [mm] | Weight [kg] |
|------------|------------|------------------------------|----------------------------|-------------|
| 2.200 | 7100067161 | 1840 x 1400 x 1600 | Ø600 | 100 |
| 3.000 | 7100067171 | 2400 x 1400 x 1600 | Ø600 | 130 |
| 5.000 | 7100090411 | 2450 x 1800 x 2050 | Ø600 | 195 |
| 6.000 | 7100090421 | 2820 x 1800 x 2050 | Ø600 | 235 |
| 8.000 | 7100062541 | 2680 x 2300 x 2350 | Ø600 | 275 |
| 10.000 | 7100069031 | 3040 x 2300 x 2350 | Ø600 | 315 |
| 12.000 | 7100062501 | 3760 x 2300 x 2350 | Ø600 | 365 |
| 16.000 | 7100065771 | 4840 x 2300 x 2350 | Ø600 | 465 |

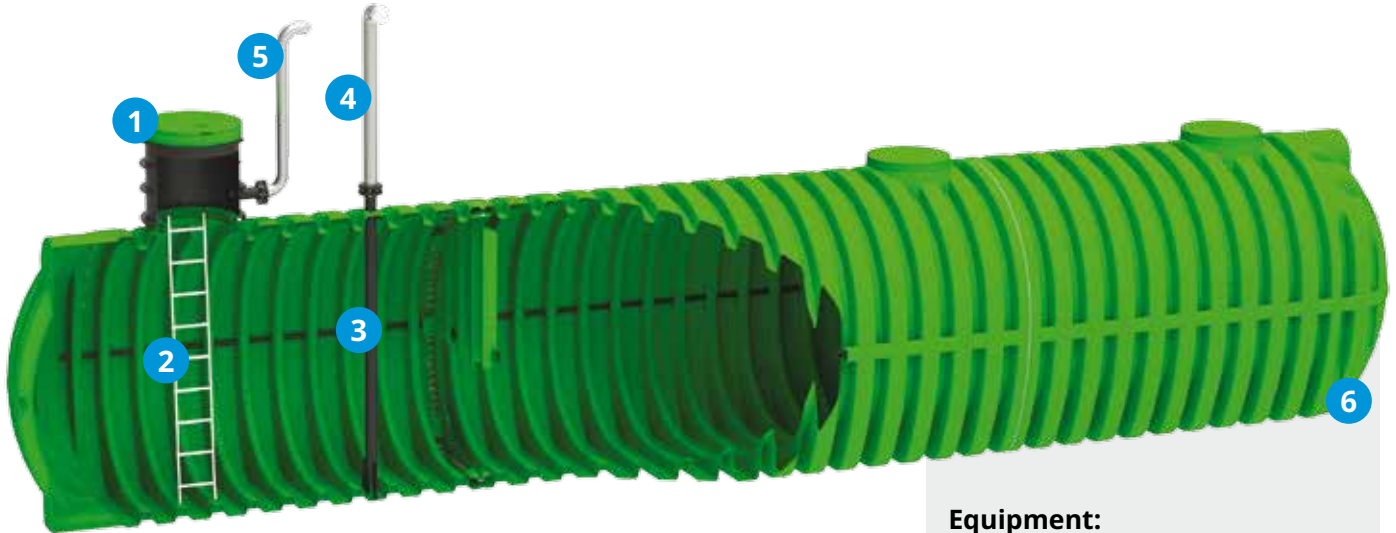


| Volume [L] | Code | Dimensions A x B x C [mm] | Inspection opening [mm] | Weight [kg] |
|------------|------------|----------------------------|-------------------------|-------------|
| 20.000 | 7100062670 | 4540 x 2450 x 2800 - 3100 | Ø600 | 650 |
| 25.000 | 7100062701 | 5720 x 2420 x 2700 - 3000 | 2 x Ø600 | 690 |
| 30.000 | 7110030000 | 6550 x 2450 x 2700 - 3000 | 2 x Ø600 | 990 |
| 35.000 | 7110035000 | 7530 x 2450 x 2700 - 3000 | 2 x Ø600 | 1140 |
| 40.000 | 710040000 | 8510 x 2450 x 2700 - 3000 | 2 x Ø600 | 1290 |
| 45.000 | 7110045000 | 9870 x 2450 x 2700 - 3000 | 3 x Ø600 | 1560 |
| 50.000 | 7110050000 | 10850 x 2450 x 2700 - 3000 | 3 x Ø600 | 1700 |
| 55.000 | 7110055000 | 11500 x 2450 x 2700 - 3000 | 3 x Ø600 | 1770 |
| 60.000 | 7110060000 | 12480 x 2450 x 2700 - 3000 | 3 x Ø600 | 1920 |
| 65.000 | 7110065000 | 13460 x 2450 x 2700 - 3000 | 3 x Ø600 | 2070 |

Water tanks

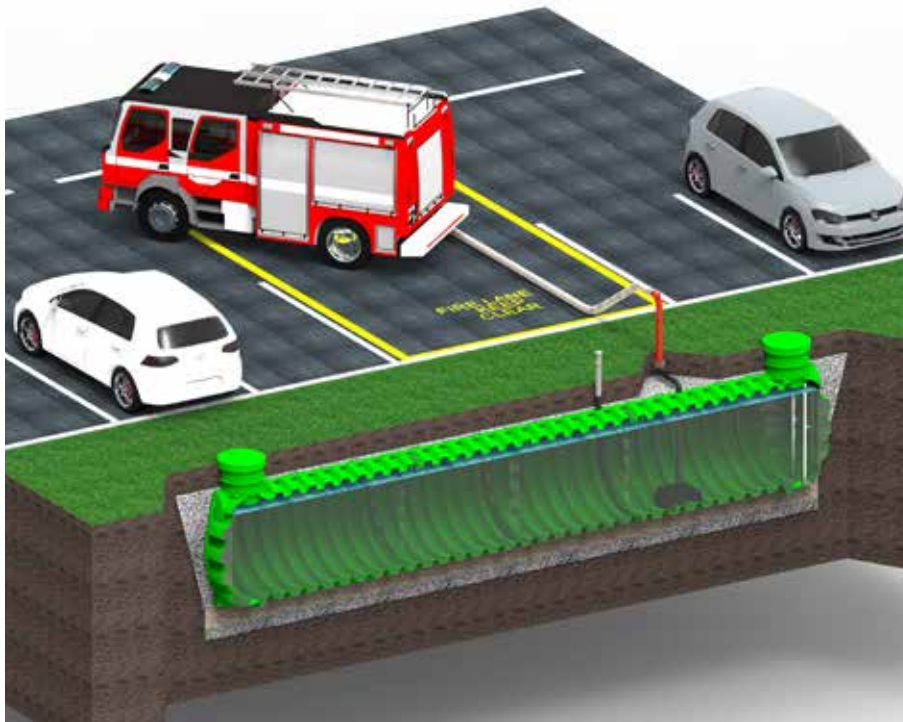
Roterra professional firefighting water tank systems

ROTO Roterra water tanks are suitable for the preparation of firefighting water systems. The professional system complies with DIN 14230. We offer you standard equipment for universal solutions or custom-made equipment that is made according to the customer project.



Equipment:

- 1. inspection opening DN 1000 or DN 800
- 2. stainless steel ladder
- 3. suction pipe up to DN 250 (including anti-vortex plate) - PE or stainless steel
- 4. connection for fire hose - coupling type A
- 5. ventilation pipe up to DN 160 (PE or stainless steel)
- 6. PE inlet / outlet connection



Waste water treatment plants

Septic tanks

Grease separators

Oil separators

Shafts

Pumping stations



DHL LOGISTICS CENTER
2x ROTERRA 50.000 L



FUEL STATION
2x ROTERRA 50.000 L



WAREHOUSE
8x ROTERRA 50.000 L



FACTORY
2x ROTERRA 40.000 L



Water tanks

Waste water treatment plants

Septic tanks

Grease separators

Oil separators

Shafts

Pumping stations

Roterra drive

Water tanks

Waste water
treatment plants

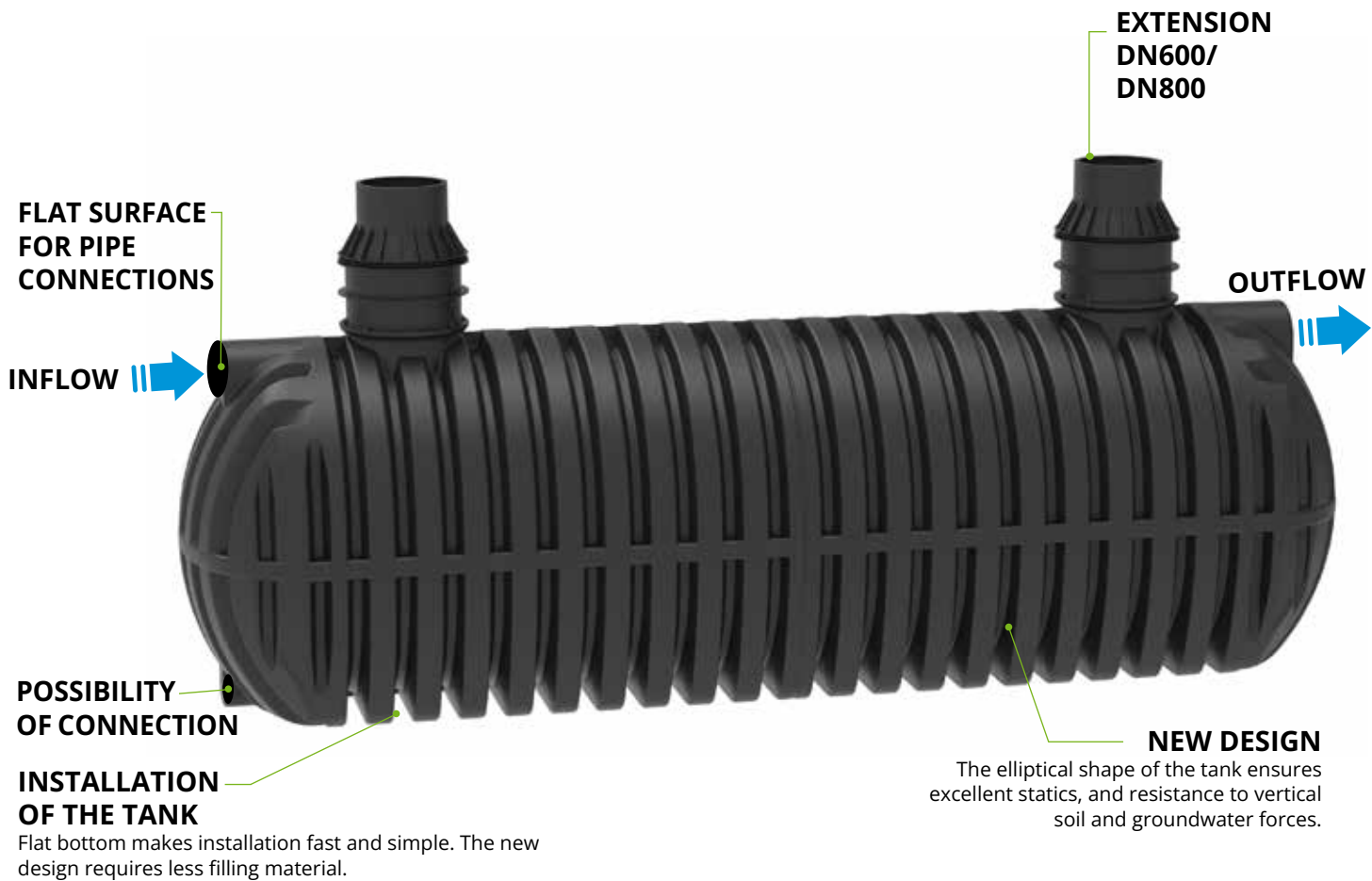
Septic tanks

Grease separators

Oil separators

Shafts

Pumping stations



**FLAT SURFACE
FOR PIPE
CONNECTIONS**

INFLOW

**EXTENSION
DN600/
DN800**

OUTFLOW

**POSSIBILITY
OF CONNECTION**

**INSTALLATION
OF THE TANK**

Flat bottom makes installation fast and simple. The new design requires less filling material.

NEW DESIGN

The elliptical shape of the tank ensures excellent statics, and resistance to vertical soil and groundwater forces.

Certificated by the Slovenian
National Building and Civil
Engineering Institute

ZAG



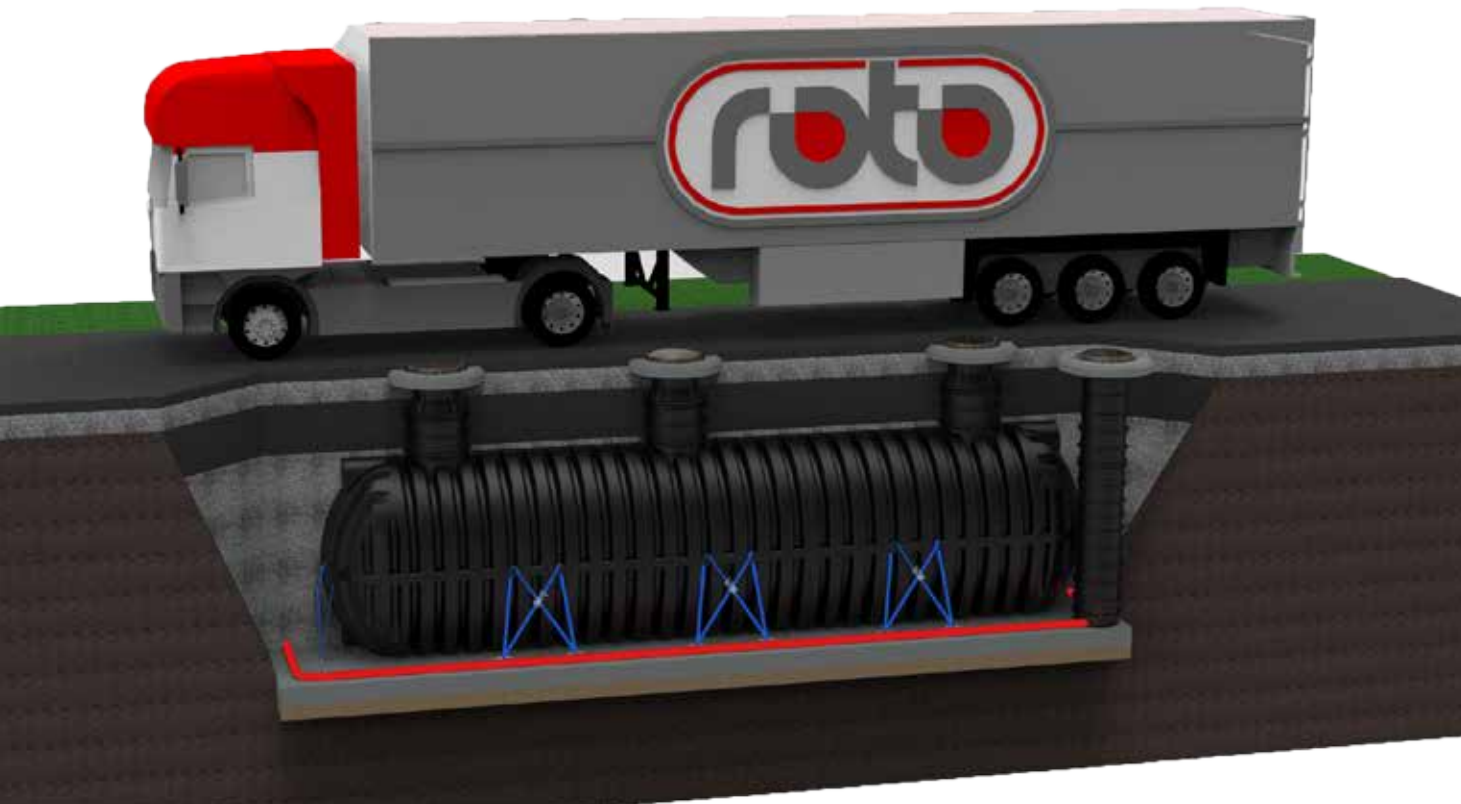
RoTerra Drive tanks received the SIGN OF QUALITY IN THE CONSTRUCTION INDUSTRY, in 2023. The recognition was awarded by the ZRMK Institute of Construction



PROFESSIONAL TANKS FOR UNDERGROUND INSTALLATION UNDER THE TRAFFIC SURFACE

Limited space is not an obstacle: with the new certified solutions, install RoTerra Drive tanks even under the driving surfaces and use all the benefits of collecting rainwater, waste water treatment or fire water. In this way, you will additionally enhance parking lots, roads, driveways and other dedicated areas that are otherwise only used for transport.

RoTerra Drive tanks are made of polyethylene, which can be 100% recycled at the end of the tank's lifetime.



Water tanks

Waste water treatment plants

Septic tanks

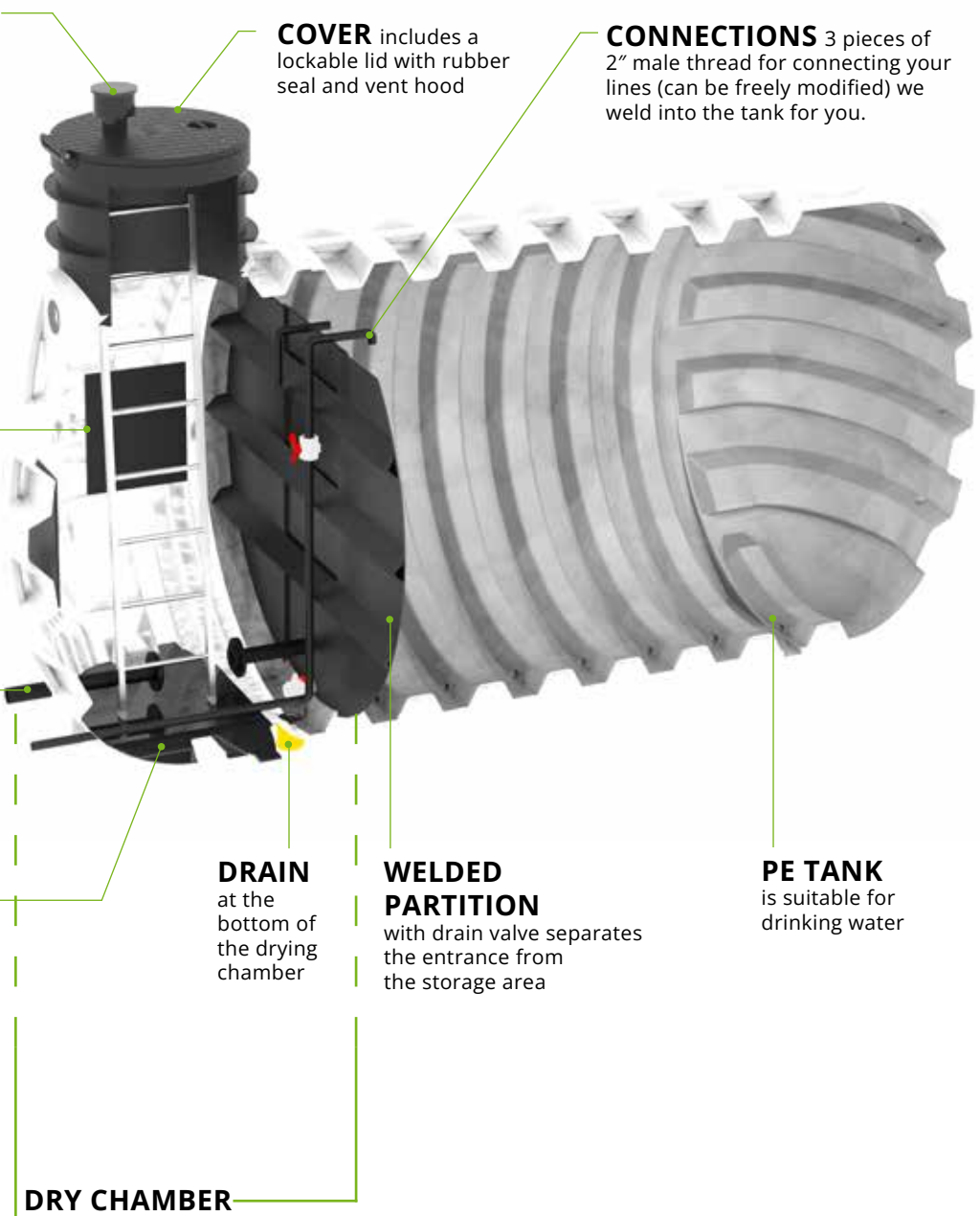
Grease separators

Oil separators

Shafts

Pumping stations

| Volume [L] | Code | Dimensions A x B x C [mm] | Inspection opening [mm] |
|------------|------------|------------------------------|----------------------------|
| 20.000 | 7100062673 | 4540 x 2450 x 2800 - 3100 | Ø600 |
| 30.000 | 7110030003 | 6550 x 2450 x 2700 - 3000 | 2 x Ø600 |
| 40.000 | 7110040003 | 8510 x 2450 x 2700 - 3000 | 2 x Ø600 |
| 50.000 | 7110050003 | 10850 x 2450 x 2700 - 3000 | 3 x Ø600 |
| 60.000 | 7110060003 | 12480 x 2450 x 2700 - 3000 | 3 x Ø600 |
| 65.000 | 7110065003 | 13460 x 2450 x 2700 - 3000 | 3 x Ø600 |

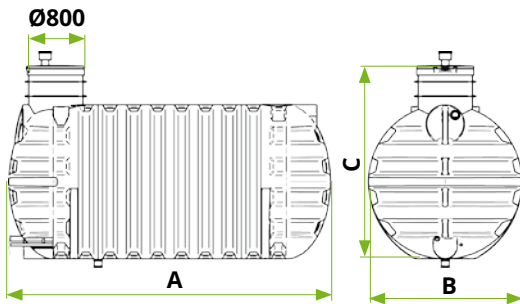
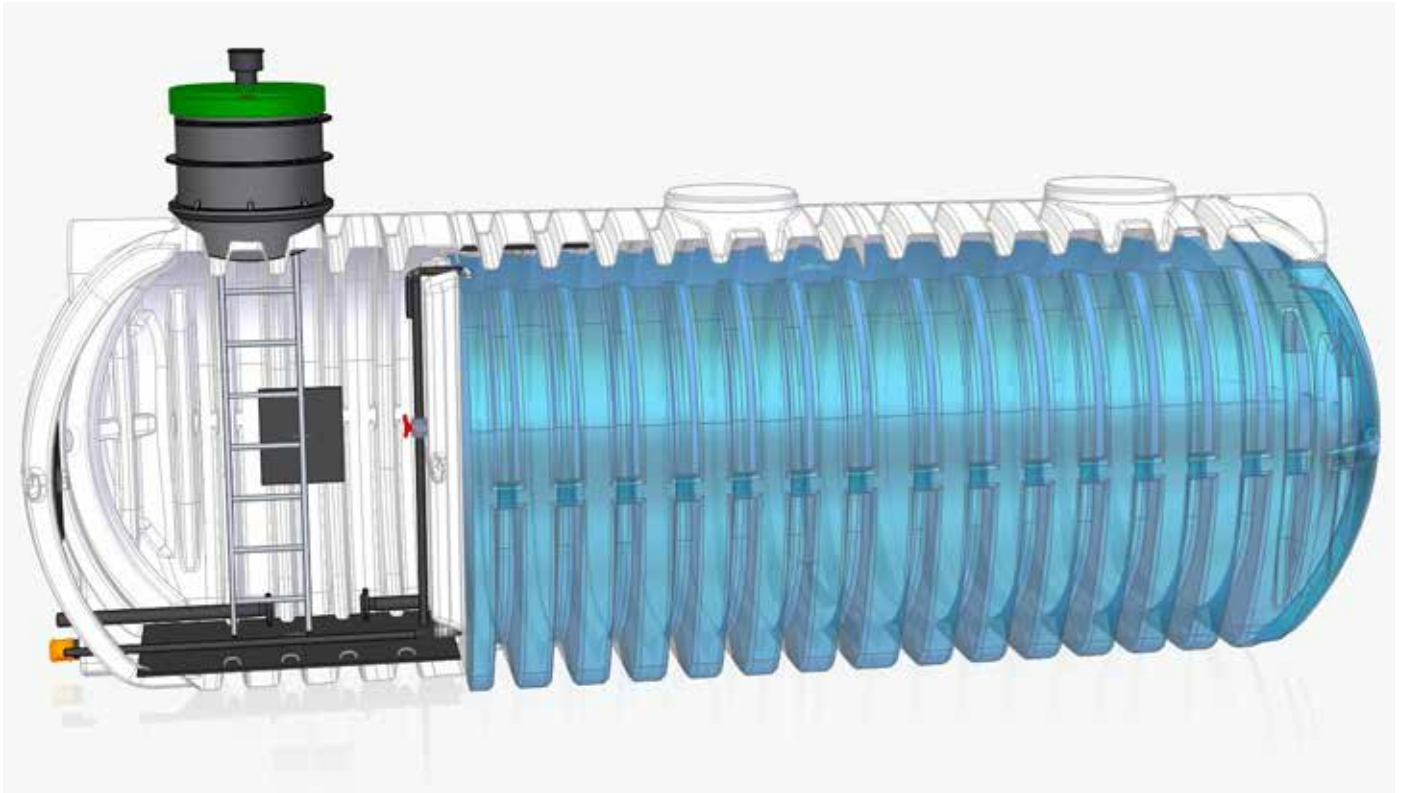
WATER PROOF VENT cover**COVER** includes a lockable lid with rubber seal and vent hood**CONNECTIONS** 3 pieces of 2" male thread for connecting your lines (can be freely modified) we weld into the tank for you.**PLASTIC PLATE** above storage area as further mounting possibility (e.g. float switch, electronics, etc.)**WELDED CONNECTIONS** up to DN150**PLATE** at the bottom of the entry area simplifies cleaning. Plate in the drying chamber for mounting a switch box.**DRAIN** at the bottom of the drying chamber**WELDED PARTITION** with drain valve separates the entrance from the storage area**PE TANK** is suitable for drinking water**DRY CHAMBER**

A water storage tank is used for the storage and distribution of drinking water. It is usually installed at higher elevations where water is collected from a water well or spring. From the RoAqua, drinking water is distributed via pipelines to houses and other buildings, either by gravity or by pumps. The first chamber of the RoAqua is used as a water storage tank, while the second chamber is used for distribution control, chlorination, pumping and installation of other equipment. The second chamber can be easily and safely accessed by ladder through a large manhole.



Rodrink tanks are certified for drinking water:
REG2-0004-04-ZGPro1-2731

Exact position of connections can be arranged on the tank with Roto technical team.
The necessary PE connections in the tank will be installed by us directly in the factory.



| Volume [L] | Effective volume [L] | Code | Dimensions A x B x C [mm] | Couvercle [mm] |
|------------|----------------------|------------|---------------------------|----------------|
| 12.000 | 6.000 | 7100062503 | 3760 x 2300 x 2350 | 2x Ø800 |
| 16.000 | 10.000 | 7100065773 | 4840 x 2300 x 2350 | 2x Ø800 |
| 22.000 | 15.500 | 7100062573 | 6280 x 2300 x 2850 | 2x Ø800 |
| 25.000 | 19.200 | 7100862573 | 7370 x 2300 x 2850 | 2x Ø800 |
| 30.000 | 24.800 | 7110030003 | 6550 x 2450 x 2700-3000 | 2x Ø800 |
| 35.000 | 29.200 | 7110035003 | 7530 x 2450 x 2700-3000 | 2x Ø800 |
| 40.000 | 34.000 | 7110040003 | 8510 x 2450 x 2700-3000 | 2x Ø800 |
| 45.000 | 39.200 | 7110045003 | 9870 x 2450 x 2700-3000 | 2x Ø800 |

Rocko

Water tanks

Waste water treatment plants

Septic tanks

Grease separators

Oil separators

Shafts

Pumping stations

PE COVER WITH ADAPTER

The cover with gasket and hinged opening ensures effective watertightness. The load capacity of the PE DN 600 cover is up to 200 kg.

PE RING

It allows easy installation of an additional tank extension and thus easy adjustment to the terrain.

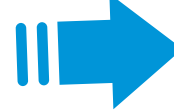
INTEGRATED EXTENSION

The extension of the ROTO Rocko tanks can be cut off so that the height can be adjusted to the terrain.

INFLOW



OUTFLOW



POSSIBILITY OF CONNECTION

HOLES FOR ANCHORING

They make it easier to attach tank to a concrete slab in case of anchoring due to high groundwater.

REINFORCING RIBS

Reinforcing ribs on both sides ensure the stability of the tank and protection in case of high water tables.



Rocko tanks can be used as an **UNDERGROUND** or **OVERGROUND** water tank.

Rocko water tank features:



Underground OR overground water tank



Material: polyethylene



Made in one piece, 100% waterproof



Excellent statics, resistance to earth pressures and external forces



Wall thickness 8 - 14 mm



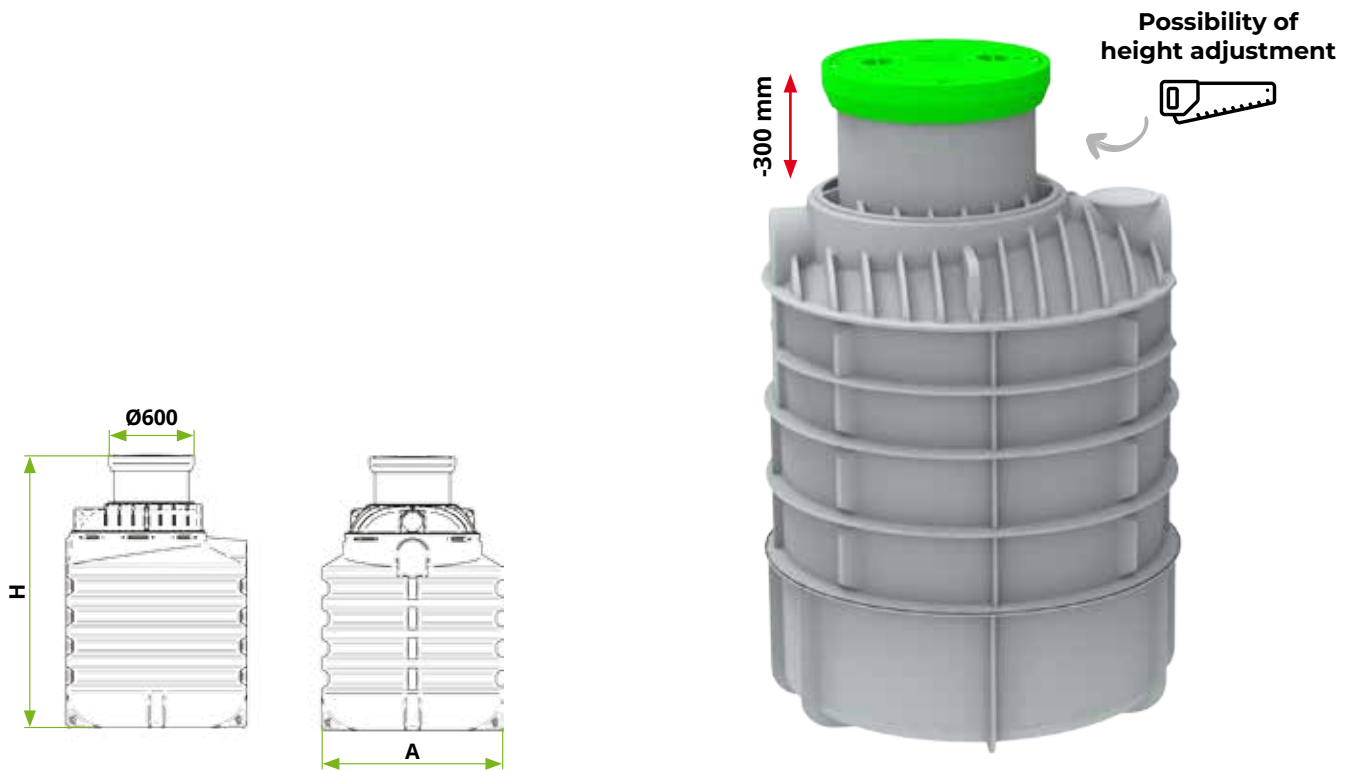
Possibility to adjust the height of the extension to the requirements of the terrain



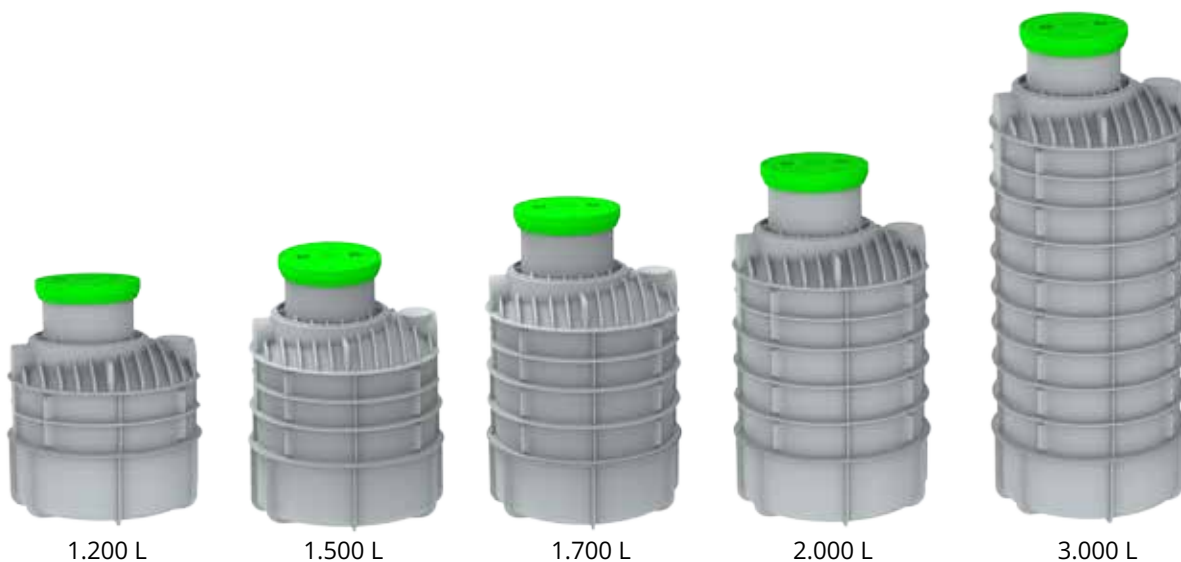
The product can be 100% recycled after use

BASIC EQUIPMENT INCLUDES: hinged cover with adapter.





| Volume [L] | Code | Dimensions A x H [mm] | Inspection opening [mm] | Weight [kg] |
|------------|------------|-----------------------|-------------------------|-------------|
| 1.200 | 7100057620 | Ø1300 x 1550 | Ø600/800 | 50 |
| 1.500 | 7100057630 | Ø1300 x 1800 | Ø600/800 | 65 |
| 1.700 | 7100057810 | Ø1300 x 2050 | Ø600/800 | 80 |
| 2.000 | 7100057640 | Ø1300 x 2300 | Ø600/800 | 95 |
| 2.300 | 7100057650 | Ø1300 x 2550 | Ø600/800 | 115 |
| 2.500 | 7100057840 | Ø1300 x 2800 | Ø600/800 | 130 |
| 2.800 | 7100057660 | Ø1300 x 3050 | Ø600/800 | 145 |
| 3.000 | 7100057860 | Ø1300 x 3300 | Ø600/800 | 160 |



1.200 L

1.500 L

1.700 L

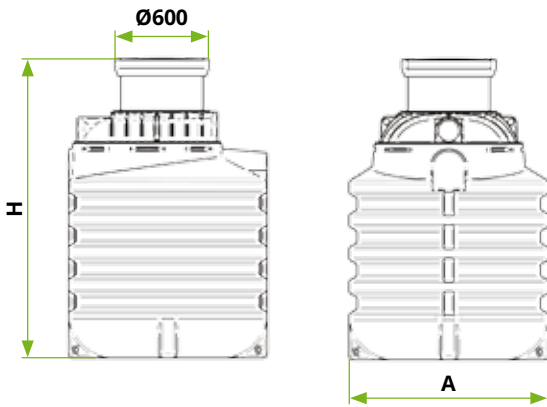
2.000 L

3.000 L

Possibility of
height adjustment

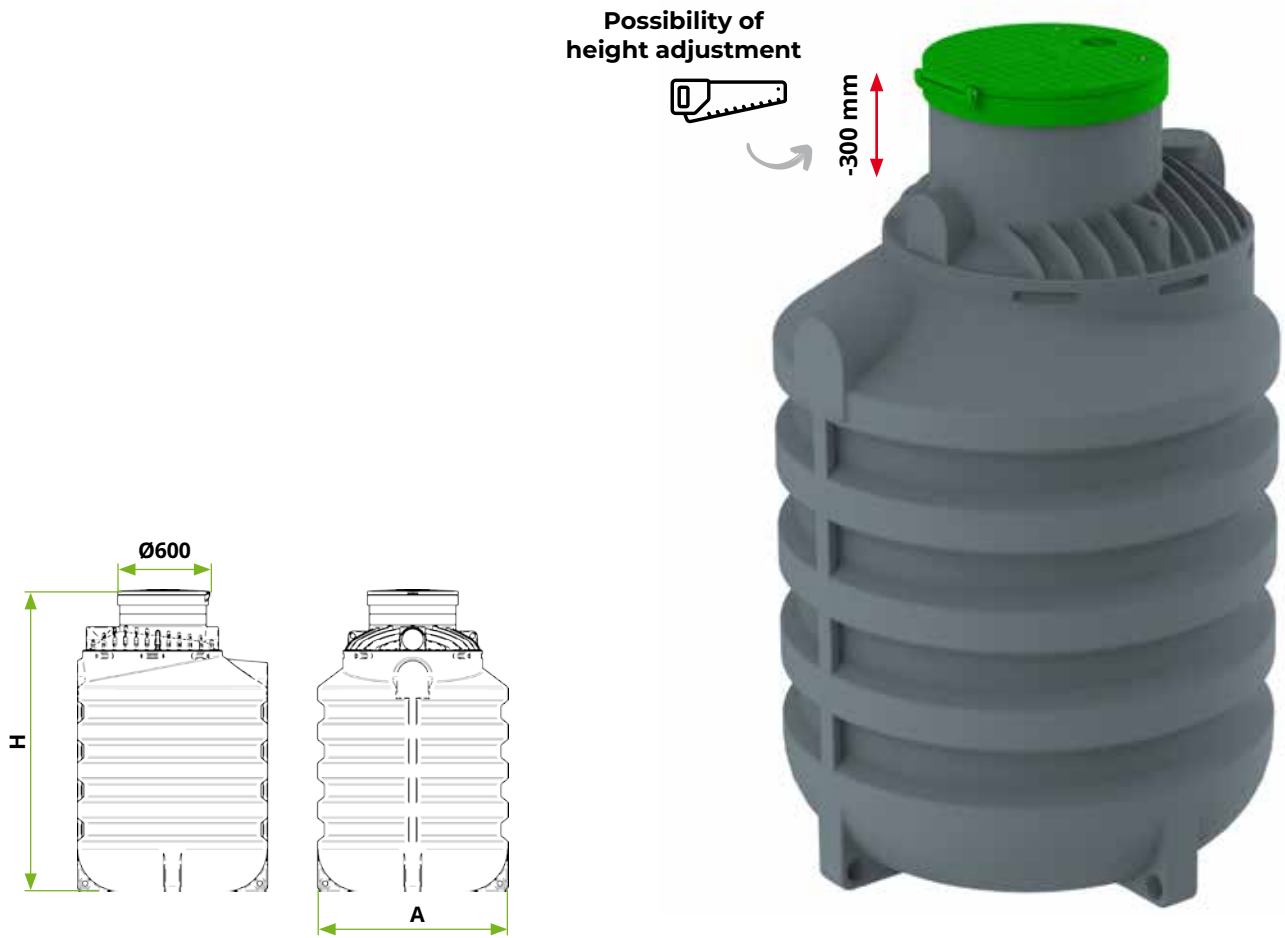


-300 mm



| Volume [L] | Code | Dimensions A x H [mm] | Inspection opening [mm] | Weight [kg] |
|------------|------------|--------------------------|----------------------------|-------------|
| 2.000 | 7100067450 | Ø1500 x 2000 | Ø600 | 79 |
| 2.350 | 7100067460 | Ø1500 x 2250 | Ø600 | 90 |
| 2.700 | 7100067470 | Ø1500 x 2500 | Ø600 | 101 |





| Volume [L] | Code | Dimensions A x H [mm] | Inspection opening [mm] | Weight [kg] |
|------------|------------|-----------------------|-------------------------|-------------|
| 3.200 | 7100067260 | Ø1800 x 2350 | Ø800 | 136 |
| 4.000 | 7100067270 | Ø1800 x 2700 | Ø800 | 155 |
| 5.000 | 7100067280 | Ø1800 x 3100 | Ø800 | 182 |



Water tanks

Waste water treatment plants

Septic tanks

Grease separators

Oil separators

Shafts

Pumping stations

Water tanks

Waste water treatment plants

Septic tanks

Grease separators

Oil separators

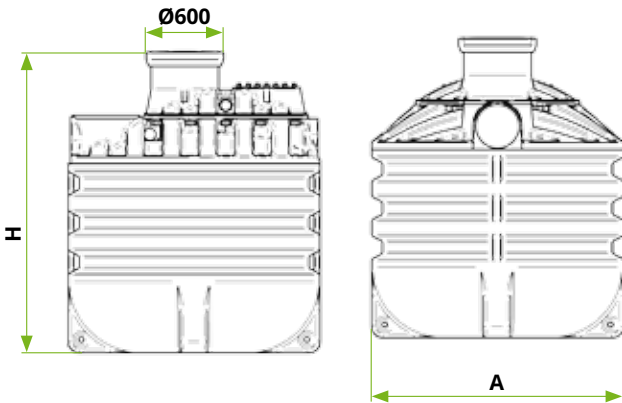
Shafts

Pumping stations

Possibility of height adjustment



-300 mm



| Volume [L] | Code | Dimensions A x H [mm] | Inspection opening [mm] | Weight [kg] |
|------------|------------|-----------------------|-------------------------|-------------|
| 6.000 | 7100067340 | Ø2300 x 2400 | 1 x Ø800 | 221 |
| 7.500 | 7100067350 | Ø2300 x 2750 | 1 x Ø800 | 252 |
| 8.700 | 7100067360 | Ø2300 x 3100 | 1 x Ø800 | 283 |
| 10.000 | 7100067370 | Ø2300 x 3500 | 1 x Ø800 | 315 |

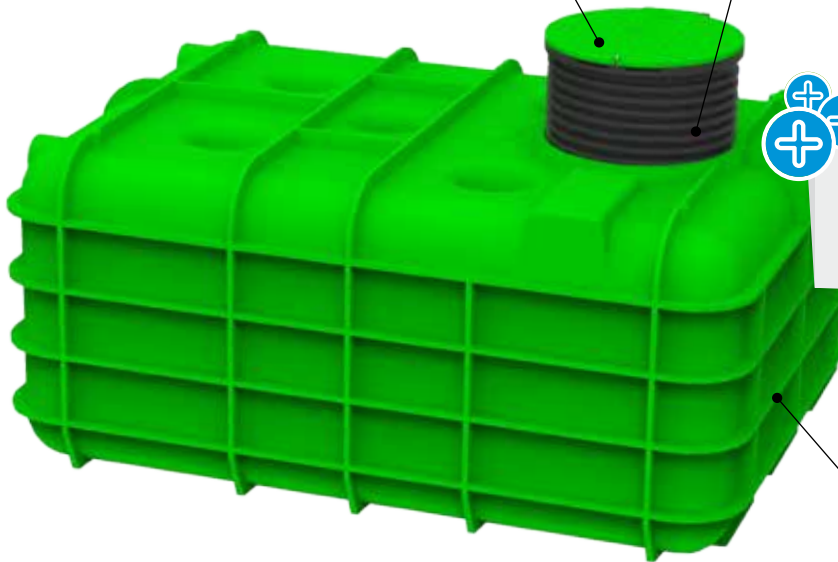


HINGED COVER

The Roterra tank lid with gasket ensures water tightness. The lid is hinged to the telescopic extension, making it easy to open.

TELESCOPIC EXTENSION

Threaded extension can be simple adjusted to the height of the terrain.



Up to 14 tanks can be transported with a semi-trailer.



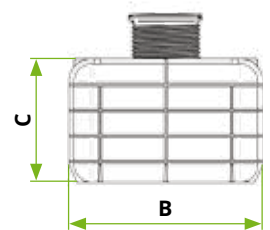
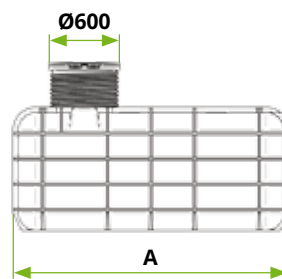
REINFORCEMENT RIBS

Reinforcement ribs on both sides ensure the stability of the tank and protection in case of high water level.



ADAPTER FOR FINE FILTER

For quick and easy installation of a fine filter and soothing siphon. At the same time we achieve a slight increase in the volume of the tank. Available as additional equipment.



| Volume [L] | Code | Dimensions A x B x C [mm] | Inspection opening [mm] | Weight [kg] |
|------------|------------|---------------------------|-------------------------|-------------|
| 5.000 | 7100072290 | 2690 x 1890 x 1200 | Ø600 | 200 |

Roquadro are the ideal choice for above-ground or basement. Their dimensions make them **easy to transport through normal front doors** and they are also very suitable as an **outdoor rainwater collecting tank**.

Extremely smooth walls for easy cleaning and a flat bottom to ensure the stability of the tank.

| Volume [L] | Code | Dimensions A x B x C [mm] | Inspection opening [mm] | Weight [kg] |
|------------|------------|---------------------------|-------------------------|-------------|
| 250 | 7104103260 | 600 x 600 x 928 | Ø300 | 12 |
| 500 | 7104104060 | 760 x 760 x 1100 | Ø300 | 23 |
| 750 | 7104106060 | 760 x 760 x 1600 | Ø300 | 30 |
| 1.000 | 7104107660 | 760 x 1520 x 1100 | Ø300 | 45 |
| 2.000 | 7104109460 | 760 x 2250 x 1600 | Ø300 | 80 |



RoQuadro

Rondo water tanks are made of polyethylene. They are the ideal choice for above-ground or basement tanks.

| Volume [L] | Code | Dimensions A x H [mm] | Inspection opening [mm] | Weight [kg] |
|------------|------------|-----------------------|-------------------------|-------------|
| 325 | 7100527300 | Ø620 x 1300 | Ø200 | 12 |
| 500 | 7100527310 | Ø740 x 1350 | Ø300 | 26 |
| 800 | 7100527320 | Ø840 x 1600 | Ø500 | 30 |
| 1.000 | 7100527330 | Ø950 x 1650 | Ø300 | 34 |
| 1.500 | 7100527340 | Ø1100 x 1850 | Ø300 | 40 |
| 2.000 | 7100527350 | Ø1200 x 1950 | Ø380 | 60 |
| 3.000 | 7100527400 | Ø1860 x 1430 | Ø435 | 65 |
| 4.000 | 7100527410 | Ø1860 x 1920 | Ø435 | 75 |
| 5.000 | 7100077620 | Ø1585 x 2825 | Ø370 | 160 |
| 6.000 | 7100527420 | Ø1860 x 2590 | Ø435 | 125 |
| 8.000 | 7100527430 | Ø2460 x 2020 | Ø635 | 140 |
| 10.000 | 7100527440 | Ø2460 x 2470 | Ø635 | 220 |
| 15.000 | 7100527450 | Ø2460 x 3620 | Ø635 | 430 |



Rondo

Rotrans water tanks are made of polyethylene and are therefore suitable for storing water. They are the ideal choice for above-ground storage and transport of liquids.

| Volume [L] | Code | Dimensions A x B x C [mm] | Inspection opening [mm] | Weight [kg] |
|------------|------------|---------------------------|-------------------------|-------------|
| 300 | 7100527200 | 1220 x 590 x 660 | Ø435 | 13 |
| 500 | 7100527210 | 1440 x 680 x 820 | Ø435 | 17 |
| 1.000 | 7100527220 | 1730 x 870 x 1010 | Ø435 | 28 |
| 1.500 | 7100527230 | 1610 x 1180 x 1310 | Ø435 | 35 |
| 2.000 | 7100527240 | 1720 x 1250 x 1400 | Ø435 | 47 |
| 3.000 | 7100527250 | 2030 x 1430 x 1600 | Ø435 | 67 |
| 5.000 | 7100527260 | 2150 x 1840 x 1960 | Ø435 | 130 |



Rotrans



MOUNTAIN COTTAGE



PRIMARY SCHOOL



PRIVATE HOUSE



SHOP



MULTI-APARTMENT BUILDING



SKI RESORT



JUICE PRODUCTION



PRIVATE HOUSE

Water tanks

Waste water treatment plants

Septic tanks

Grease separators

Oil separators

Shafts

Pumping stations

97%

HIGH CLEANING EFFICIENCY

ROTO treatment plants purify water up to 97.2%. They operate safely and reliably, are virtually silent and odourless, and are insensitive to fluctuations in the ambient temperature. Urban waste water from toilets, bathrooms, kitchens and similar sources of pollution in houses is treated to the point where it can be safely discharged into surface water or a seepage pond.



LOW OPERATING COSTS

Water purification is Easy, because all the components of the waste water treatment plant work on air-lift pump principle. The air compressor is located in the separate cabinet where it is protected from the environment, which reduces the potential for failures and makes the wastewater treatment plant extremely efficient, with yearly running costs under 6 €/year/person.



RELIABILITY AND TRUST

ROTO is a pioneer in the production of waste water treatment plants in Slovenia, Europe and around the world. Several thousand ROTO waste water treatment plants ranging from 3 to 2500 units, septic tanks, oil and grease separators and water tanks have been installed. The award from the ZRMK Institute of Civil Engineering confirms the excellence of the product as judged by the building profession.



LONG LIFETIME

The waste water treatment plant tank is made of polyethylene, which has a service life of 50 years. It is made in one piece, so it is 100% waterproof. The waste water treatment plant tank has excellent statics and walls which are 8-14 mm thick, making it resistant to soil pressures and external influences.



24H SERVICE

We guarantee fast delivery, maintenance, commissioning and servicing by ROTO's expert staff. Servicing by ROTO includes checking the condition and operation of the waste water treatment plant components, the cleaning efficiency, and checking the operational status as well as testing all plant functions. We instruct the user on the maintenance and correct use of the waste water treatment plant, and can also organise or supervise the installation and burial.



EASY SAMPLING

All ROTO waste water treatment stations have a built-in sampling container from which we can check the purifying efficiency of the plant.



PROFESSIONAL CONTROL UNIT

The cleaning device works fully automatically as it is controlled by a computer built into the cabinet. This robust and stylish cabinet is made of polyethylene. The cabinet design ensures easy access for maintenance, protects the control unit, compressor and valves from external influences and thus prolongs their service life. The cabinets are available in different sizes, designs (free-standing or wall-mounted) and materials (polyethylene and concrete). Control units can be upgraded with remote monitoring - telemetry.



EASY INSTALLATION

Installation of the waste water treatments plants is fast and simple. Dig a construction pit, install a treatment plant, fill it with water and connect it with the inflow of wastewater from the house. The tank of the treatment plant has a telescopic extension, so the height of the tank can be adjusted to the requirements of the terrain.



UNDERGROUND INSTALLATION

The waste water treatment plants are intended for underground installation, so when installed the treatment plant won't in any way affect your landscape or take up any additional space.



100% RECYCLING

The waste water treatment plant can be dismantled after use and the polymer components can be fully recycled.



QUICK DELIVERY

Roto is Slovenian manufacturer. Delivery can be made in few days after the order



EU PRODUCT

ROTO WWTP's are 100% Slovenian product. Our factory has its own development, production and assembly line in Puconci near Murska Sobota (Slovenia). Roto waste water treatment plants are made according to the EU standards EN 12566-3 and reach purification stage $BPK_5 < 30\text{mg/l}$, $KPK < 150\text{mg/l}$

WASTE WATER TREATMENT PLANTS



Water tanks

Waste water
treatment plants

Septic tanks

Grease separators

Oil separators

Shafts

Pumping stations



EcoBox

CONTROL UNIT CABINET



PIPE DN110 (12 m)

TELESCOPIC EXTENSION

COVER WITH HINGE



INFLOW DN100

OUTFLOW DN100

SAMPLE SHAFT

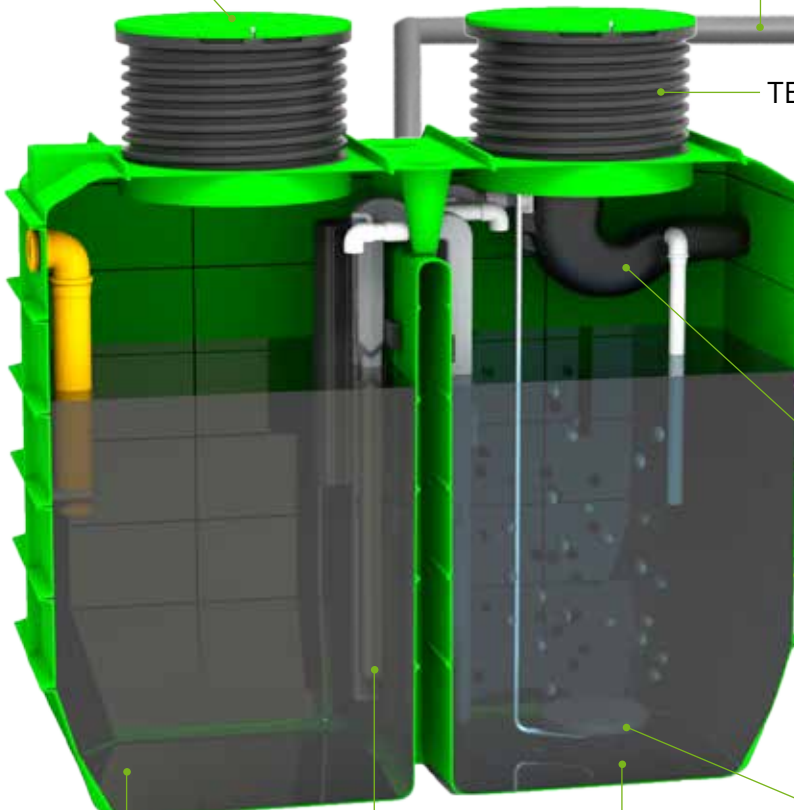
PE TANK WITH INTEGRATED WALL

AIR DIFFUSER

SEDIMENTATION CHAMBER

AIR LIFT PUMPS

AERATION CHAMBER



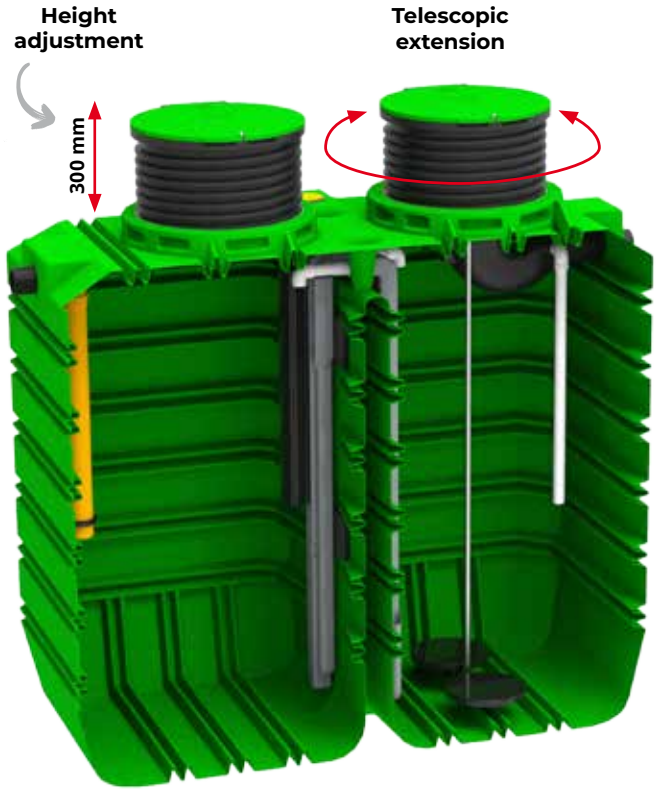
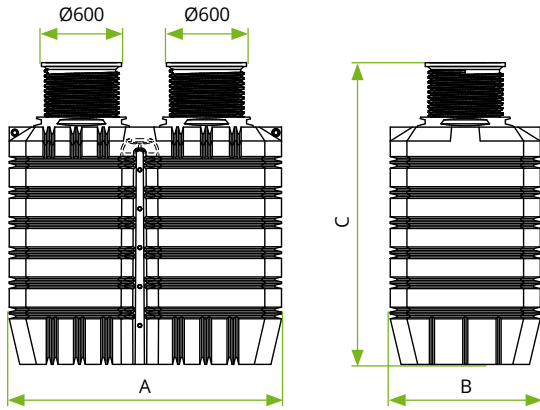
roWEB
Web application for remote control and operating mode



SBR TECHNOLOGY:

Process is managed by computer which is installed into the special box. Softwar is steering 4 magnetic valves. Each valve has specific function:

1. Pumping water from mud collector to the aerator.
2. Aeration in aeration chamber.
3. Pumping of purified water from aeration chamber to the outflow.
4. Pumping sediment mud from aerator chamber back to the mud collector



Options of control unit:



Clasic



RoWeb



GSM

| PU | 2-5 PU | 6-9 PU |
|------------------------------------|-------------------------|-------------------------|
| Code | 7100079950 | 7100076730 |
| Max. day inflow [l/dan] | 750 | 1350 |
| Volume [L] | 4000 L | 6000 L |
| Dimension A x B x C [mm] | 2330 x 1175 x 2000-2300 | 2450 x 1350 x 2300-2600 |
| Diameter inspeciton opening | 2 x DN600 | 2 x DN600 |
| Height of inflow/outflow [mm] | 1610/1530 | 1960/1880 |
| Diamater of inflow/outflow pipe | DN 110 | DN 110 |
| Airflow volume (compresor) [l/min] | 80 | 150 |
| Power consupcion (compresor) [W] | 58 | 130 |
| Sound level [dB] | 36 dB | 48 dB |
| Control system cabinet | P6 | P6 |
| Control unit | RC | RC |
| Sample shaft | 5 L | 5 L |

Water tanks

Waste water treatment plants

Septic tanks

Grease separators

Oil separators

Shafts

Pumping stations

Roclean

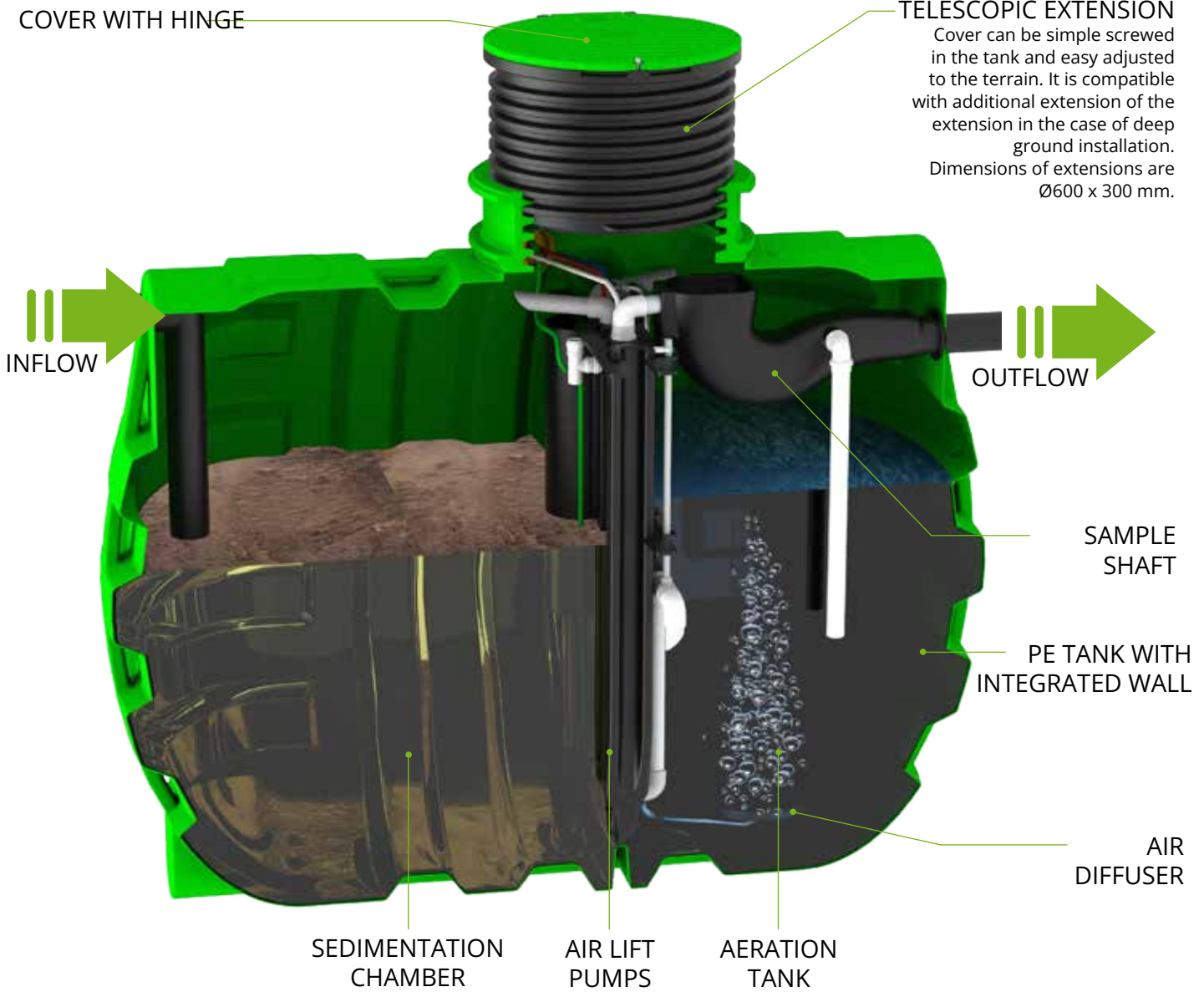
Water tanks
 Waste water treatment plants
 Septic tanks
 Grease separators
 Oil separators
 Shafts
 Pumping stations



COVER WITH HINGE

TELESCOPIC EXTENSION

Cover can be simple screwed in the tank and easy adjusted to the terrain. It is compatible with additional extension of the extension in the case of deep ground installation. Dimensions of extensions are $\varnothing 600 \times 300$ mm.



EASY AND SAFE ACCESS

RoClean has an inspection opening DN 600 or DN 800, which allows easy access and maintenance and servicing of the waste water treatment plant.

TELESCOPIC EXTENSION

The telescopic extension allows quick and easy height adjustment upon installation.

CONTROL CABINET

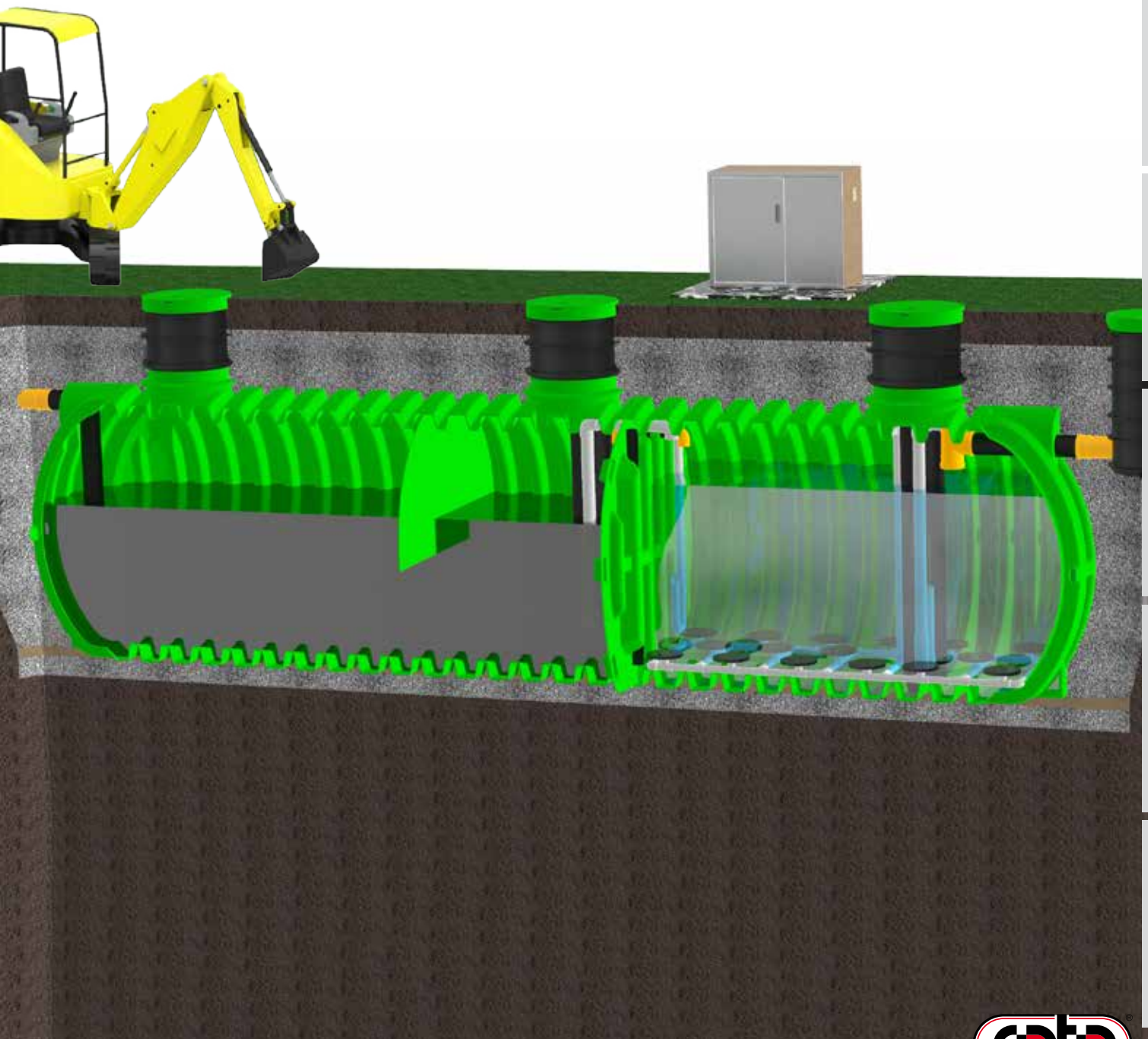
Waste water treatment plants up to 75 PE have a polyethylene control unit locker, while those above 100 PE have a concrete control locker. A 3 x 2.5 mm² power lead must be connected to the control box to supply the control unit.

SAMPLE SHAFT

In the case of smaller RoClean units, the sample shaft is integrated and self-cleaning and easily accessible through the inspection opening. For larger waste water treatment plants, it is installed in a DN600 shaft.

TANK

is made from a single piece of polyethylene using a rotational moulding process. Durability and longevity are ensured by walls with a thickness of 8 mm to 14 mm. Reinforcing ribs improve the tank's strength and resistance to soil pressures.



Water tanks

Waste water treatment plants

Septic tanks

Grease separators

Oil separators

Shafts

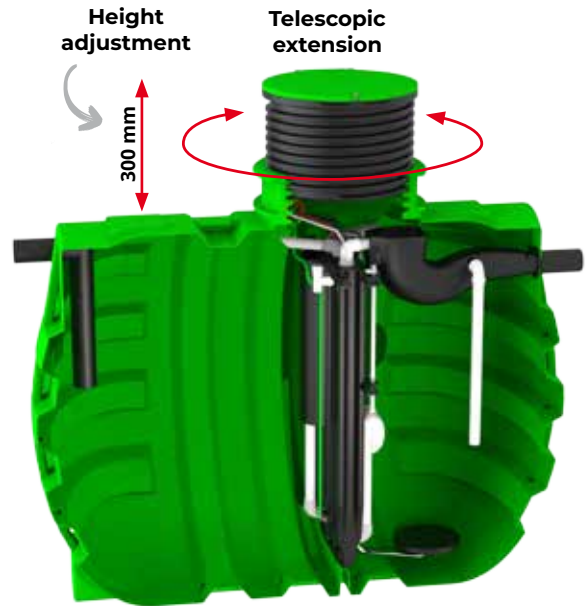
Pumping stations

Water tanks

RoClean is the ideal waste water treatment plant for small accommodations, hotels, housing estates, apartment buildings, schools, factories and office buildings, campsites, etc., which are not connected to the public sewage network.

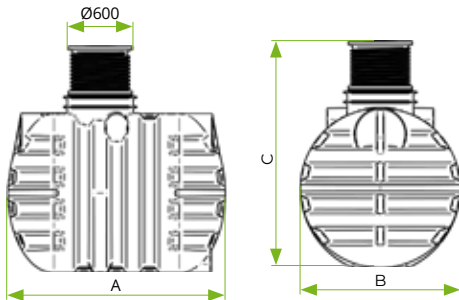
The waste water in RoClean water does not flow freely through the system, but its feedes with specific volumes from the storage tank into the SBR reactor, where it is processed through several treatment cycles. This results in different water levels in different tanks.

Waste water treatment plants



Septic tanks

Grease separators



Options of control unit:



Oil separators

Shafts

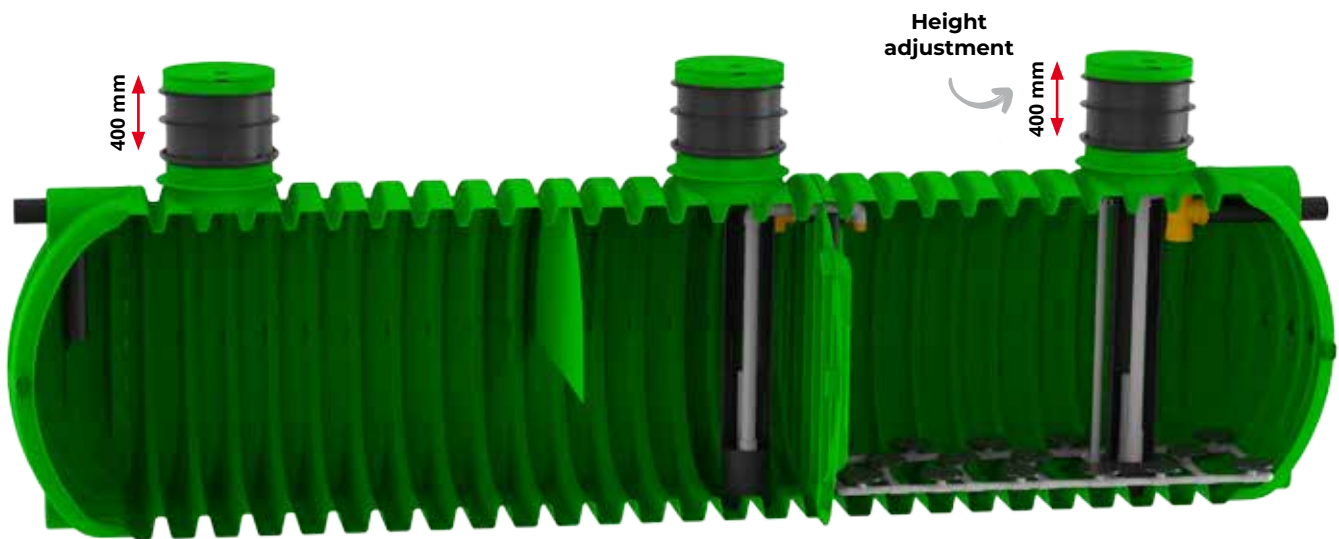
Pumping stations

| PU | 4 | 6 | 8 | 12 | 16 | 20 | 30 | 40 | 50 |
|------------------------------------|---------------------------|---------------------------|---------------------------|---------------------------|---------------------------|---------------------------|---------------------------|---------------------------|---------------------------|
| Code | 7200079840 | 7200079850 | 7200079860 | 7200063770 | 7200063780 | 7200063790 | 7200063760 | 7200063820 | 7200063830 |
| Max. day inflow [l/dan] | 600 | 900 | 1200 | 1800 | 2400 | 3000 | 5000 | 6000 | 8000 |
| Volume [L] | 3.500 | 5.000 | 6.000 | 8.000 | 10.000 | 12.000 | 16.000 | 16.000 | 20.000 |
| Dimension A x B x C [mm] | 2080 x 1800 x 2050 - 2350 | 2450 x 1800 x 2050 - 2350 | 2820 x 1800 x 2050 - 2350 | 2680 x 2300 x 2550 - 2850 | 3050 x 2300 x 2550 - 2850 | 3760 x 2300 x 2550 - 2850 | 4840 x 2300 x 2550 - 2850 | 4840 x 2300 x 2550 - 2850 | 6280 x 2300 x 2550 - 2850 |
| Diameter of inspeciton opening | DN600 | DN600 | DN600 | 2 x DN600 | 2 x DN600 | 2 x DN600 | 3 x DN600 | 3 x DN600 | 3 x DN800 |
| Diamater of inflow/outflow pipe | DN 110 | DN 110 | DN 110 | DN 110 | DN 110 | DN 125 | DN 125 | DN 125 | DN 125 |
| Airflow volume (compresor) [l/min] | 80 | 80 | 120 | 150 | 200 | 250 | 300 | 300 | 425 |
| Power consumption (compresor) [W] | 58 | 58 | 122 | 130 | 186 | 202 | 298 | 298 | 400 |
| Sound level [dB] | 36 | 36 | 46 | 48 | 48 | 55 | 56 | 56 | 51 |
| Control system cabinet | P6 | P6 | P6 | P6 | P6 | P5 | P5 | P5 | P5 |
| Control unit | RC/RW/RGSM | RC/RW/RGSM | RC/RW/RGSM | RC/RW/RGSM | RC/RW/RGSM | RC/RW/RGSM | RC/RW/RGSM | RC/RW/RGSM | RC/RW/RGSM |
| Sample shaft | 5 L | 5 L | 5 L | 5 L | 5 L | 5 L | 5 L | 5 L | 5 L |



The RoClean waste water treatment plant is installed in a single tank, which consists of two compartments: the sludge storage tank and the SBR reactor. It works on the airlift pump. It is suitable for the treatment of municipal waste water from settlements, catering and commercial buildings with a constant influx of large volumes of waste water.

RoClean is sized according to SIST EN 12255-1, -4, -6, -10, -11, -12, where a daily flow of 150 L/day/person is foreseen. Treated water may be discharged into watercourses of another category. The control unit is mounted in a polyethylene or concrete cabinet, which is specified by our professionals according to the type of plant and the number of accessories.



| PU | 75 | 100 | 150 | 200 | 300 |
|-------------------------------------|-------------------------|-------------------------|-------------------------|--------------------------|--------------------------|
| Code | 7200063850 | 7200063840 | 7200063860 | 7200063870 | 7200063880 |
| Max. day inflow [l/dan] | 120000 | 150000 | 230000 | 300000 | 450000 |
| Volume [L] | 25.000 | 30.000 | 40.000 | 50.000 | 65.000 |
| Dimension A x B x C [mm] | 5720 x 2420 x 2700-3000 | 6620 x 2450 x 2700-3000 | 8600 x 2450 x 2700-3000 | 10960 x 2450 x 2700-3000 | 13600 x 2450 x 2700-3000 |
| Diameter of inspection opening | 3 x DN800 | 2 x DN800 | 2 x DN800 | 3 x DN800 | 3 x DN800 |
| Diameter of inflow/outflow pipe | DN200 | DN200 | DN200 | DN200 | DN200 |
| Airflow volume (compressor) [l/min] | 35 | 35 | 95 | 95 | 165 |
| Power consumption (compressor) [W] | 700 | 700 | 1600 | 1600 | 3000 |
| Sound level [dB] | 55 | 55 | 66 | 66 | 72 |
| Control system cabinet | B8 | B8 | B8 | B13 | B13 |
| Control unit | RC/RW | RC/RW | RC/RW | RC/RW | RC/RW |
| Sample shaft | 56 L | 56 L | 56 L | 56 L | 56 L |

Water tanks

Waste water treatment plants

Septic tanks

Grease separators

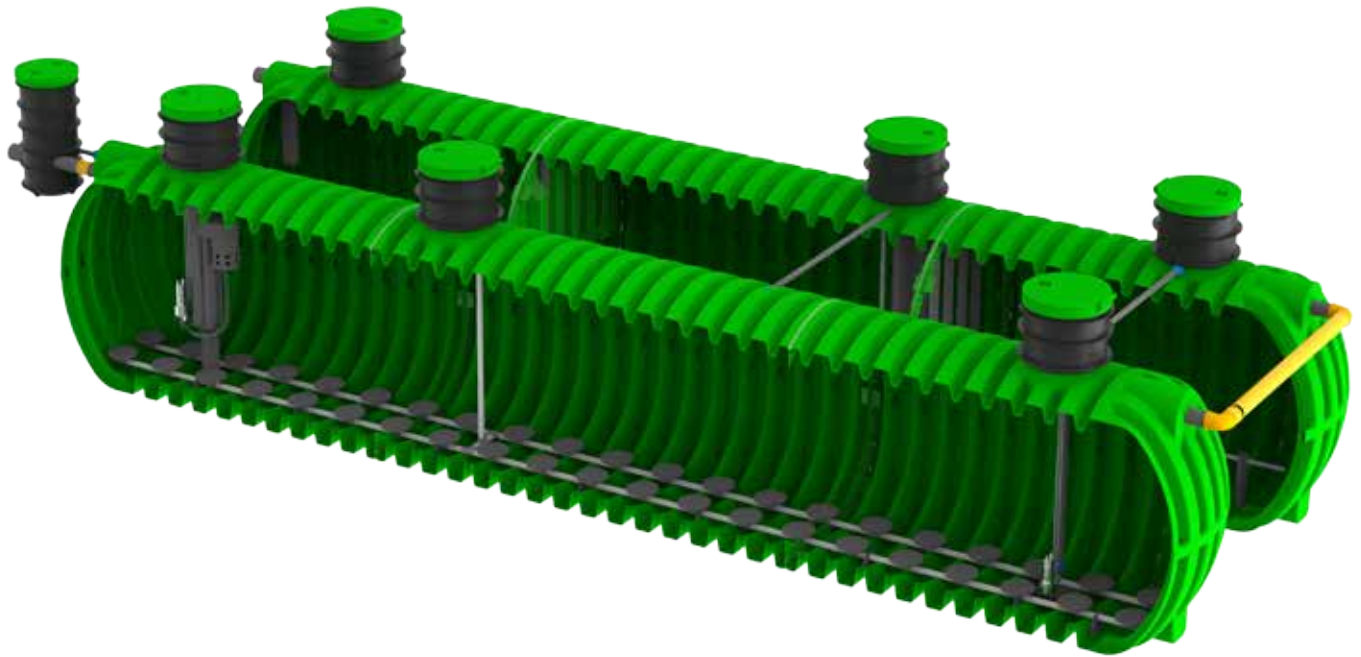
Oil separators

Shafts

Pumping stations

Fully automated processes and additional sensors allow the waste water treatment plant to automatically adapt its operation to the specifics of the facility. The data collected from the sensors is used by the smart control to modify and optimise the operating regime in order to clean as efficiently as possible and minimise operating costs. A phone app allows you to remotely monitor and control the waste water treatment plant.

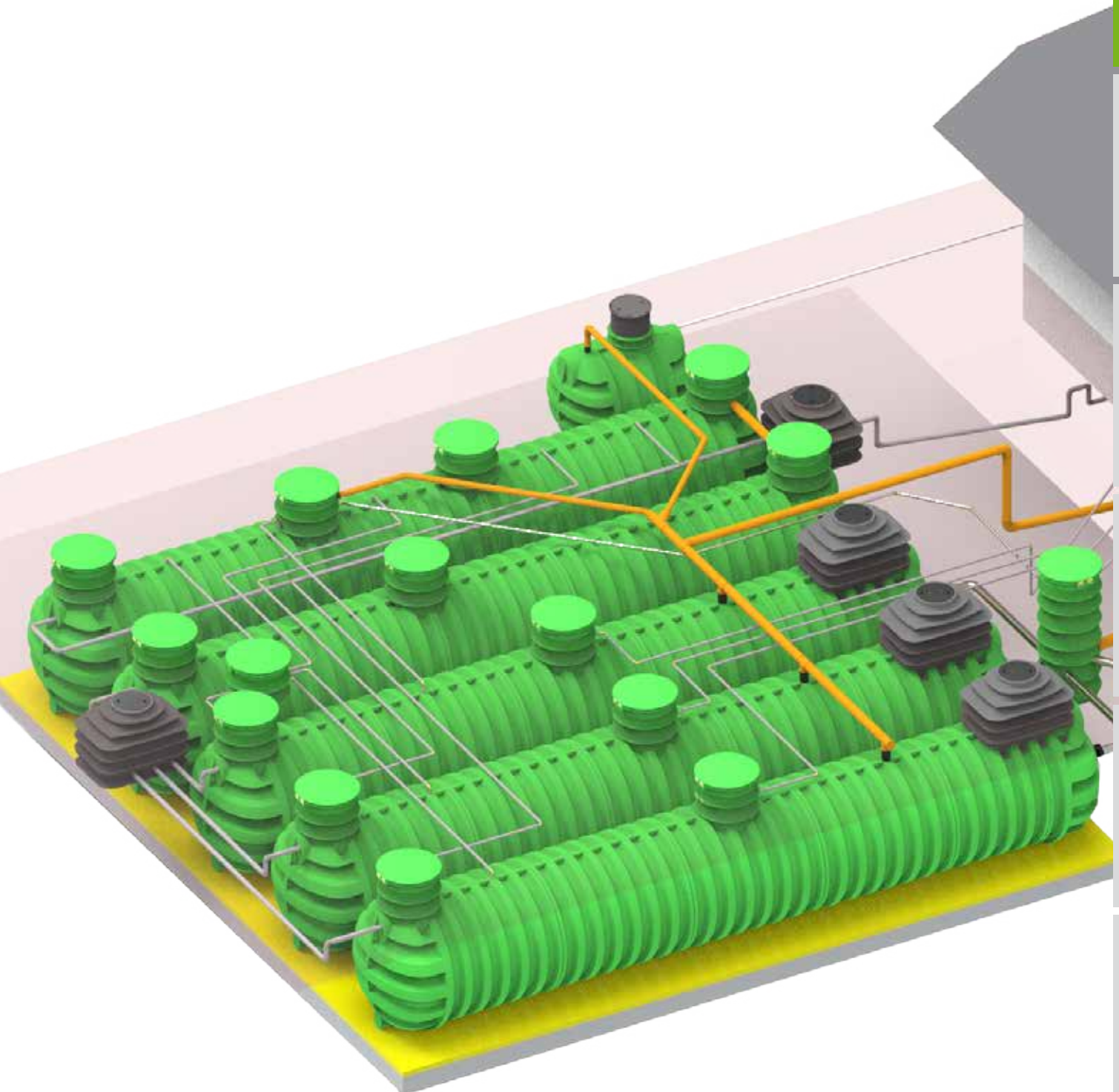
RoGreen's smart municipal waste water treatment plant responds automatically to changing influent conditions, which competitors' waste water treatment plants do not provide. This results in higher waste water treatment efficiency, lower electricity consumption and lower maintenance costs as the operator does not have to adjust the operating settings to the changing inflow.



| PU | 100 | 150 | 200 | 300 | 400 | 500 |
|-------------------------------------|-------------------------|-------------------------|--------------------------|--------------------------|--|-------------------------------|
| Code | 7200063841 | 7200063861 | 7200063871 | 7200063881 | 7200063891 | 7200063901 |
| Max. day inflow [l/dan] | 15000 | 22500 | 30000 | 45000 | 60000 | 75000 |
| Volume [L] | 30.000 | 40.000 | 50.000 | 65.000 | 1x 40.000 1x 45.000 | 2x 50.000 |
| Dimension A x B x C [mm] | 6550 x 2450 x 2700-3000 | 8510 x 2450 x 2700-3000 | 10850 x 2450 x 2700-3000 | 13460 x 2450 x 2700-3000 | 1x (8510 x 2450 x 2700-3000) 1x (9870 x 2450 x 2700-3000) | 2x (10850 x 2450 x 2700-3000) |
| Diameter of inspection opening | 2 x DN600 | 2 x DN600 | 3 x DN600 | 3 x DN600 | 5 x DN600 | 6 x DN600 |
| Diameter of inflow/outflow pipe | DN200 | DN200 | DN200 | DN200 | DN200 | DN200 |
| Airflow volume (compressor) [l/min] | 35 | 95 | 95 | 165 | 265 | 265 |
| Power consumption (compressor) [W] | 700 | 1600 | 1600 | 3000 | 4000 | 4000 |
| Sound level [dB] | 55 | 66 | 66 | 72 | 73 | 73 |
| Control system cabinet | B8 | B8 | B8 | B8 | B13 | B13 |
| Control unit | Green PRO | Green PRO | Green PRO | Green PRO | Green PRO | Green PRO |
| Sample shaft | 56 L | 56 L | 56 L | 56 L | 56 L | 56 L |

RoGreen PRO 650+ are professional WWTPs for residential or tourist facilities and factories. The waste water treatment plants are built into RoTerra tanks. A computer controls a system of pumps in the waste water treatment plant, which pump water between the chambers and to the outlet, via a PLC. Float switches control the operation of the pumps. We design a professional control system for each project. The RoGreen PRO is easy to maintain as it is designed so that all hardware can be pulled out through the

inspection openings for servicing. The basic version can be upgraded with various accessories. Sensors adjust the processes in the waste water treatment plant to the volume of waste water flow, increasing the efficiency of treatment. Capacity can be increased modularly. The additional SCADA control system allows us to easily remotely control and monitor the waste water treatment plant.



Water tanks

Waste water treatment plants

Septic tanks

Grease separators

Oil separators

Shafts

Pumping stations

Rotogreen PRO

100-2500 PU

Because we recognise the importance of protecting the environment, we closely monitor and control the performance of major waste water treatment plants. With the latest hardware, electrical equipment and information technology, all processes in ROTO waste water treatment plants can be controlled remotely.



PLC

solenoid valve

blower

flocculant dosator

fine screen bar

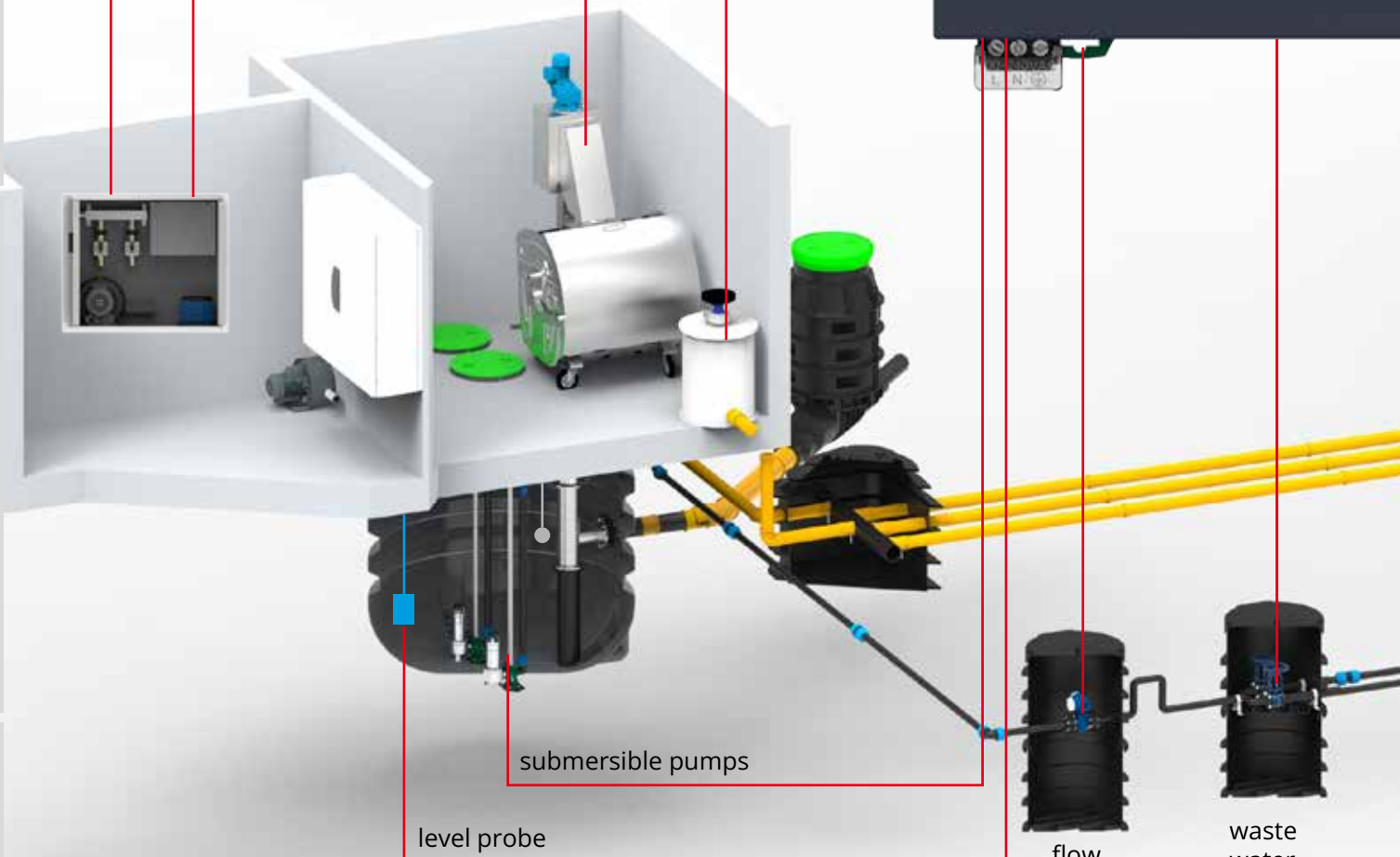
chemical filter

submersible pumps

level probe

flow meter

waste water regulation valve



Water tanks

Waste water treatment plants

Septic tanks

Grease separators

Oil separators

Shafts

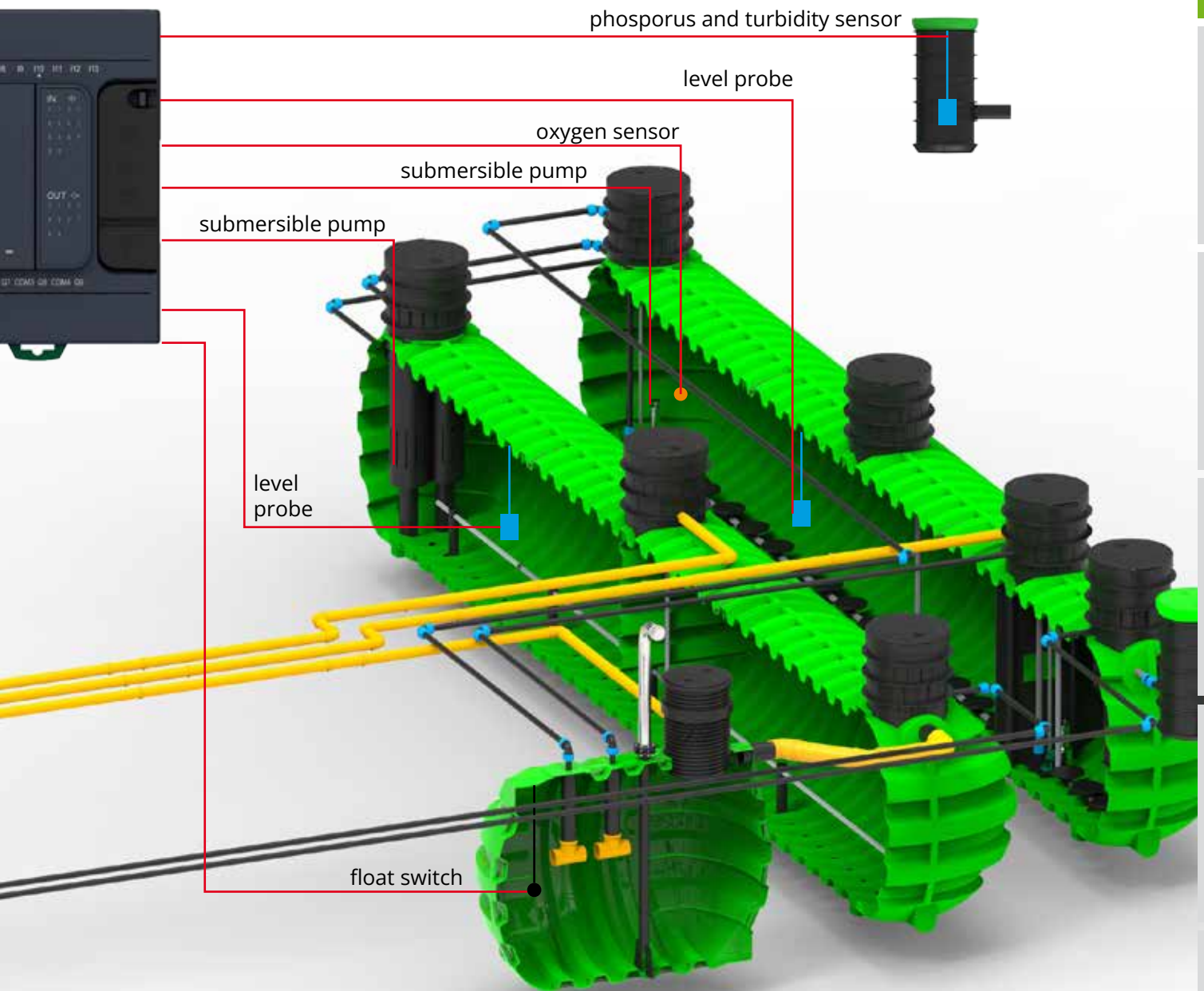
Pumping stations





The SCADA control system is a quick and transparent way for the user to manage the entire treatment process, while allowing us to adjust the operation according to the influent and effluent parameters.

Data is transmitted from the sensors to the controller and stored in a central control centre. You can remotely control individual components of the waste water treatment plant and monitor the system's performance anytime, anywhere via smart devices.



Water tanks

Waste water treatment plants

Septic tanks

Grease separators

Oil separators

Shafts

Pumping stations



Control unit

The control unit provides the following functions:

- monitoring the operation of the treatment plant
- touch screen operation
- transmitting data to the RoCloud control server
- network connection with a network cable or via WiFi wireless connection



Control center



RoCloud control server

RoCloud provides the following features:

- storing treatment plant data
- notifying users of malfunctions via e-mail

APP RoWeb

The RoWeb app allows the user to:

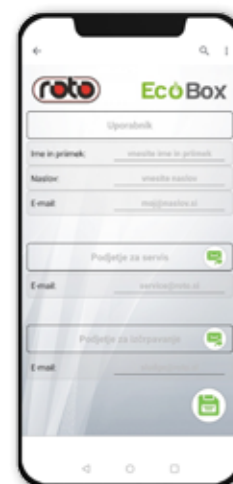
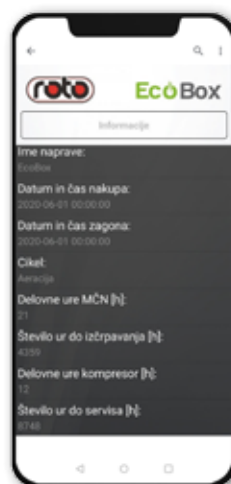
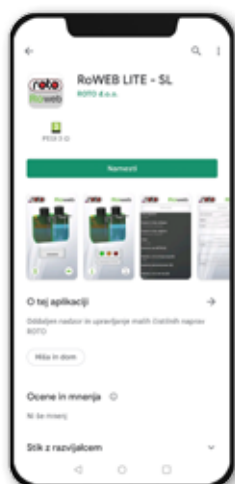
- RoWeb is supported by Android/iOS operating systems, as well as home computers Windows or Mac
- monitoring of all operating parameters of the treatment plant
- notification of malfunctions via push messages
- one-click mud and service pumping order
- archive logs of maintenance and servicing

RoWeb control unit allows the operation of Waste water treatment plant (WWTP) up to 40 population units (PU).

Control of the WWTP is possible as a local operation - without network connection, or connected with network allowing user to manage and monitor WWTP.

Network connection with the control unit is sending data to the control center, which can be directly accessible with your smart phone. Management takes place via the built-in touch screen and the mobile app available on Google Play.

The control unit have two levels of acces. The first is for the user (owner of the WWTP) and the second for the servicer or managers.



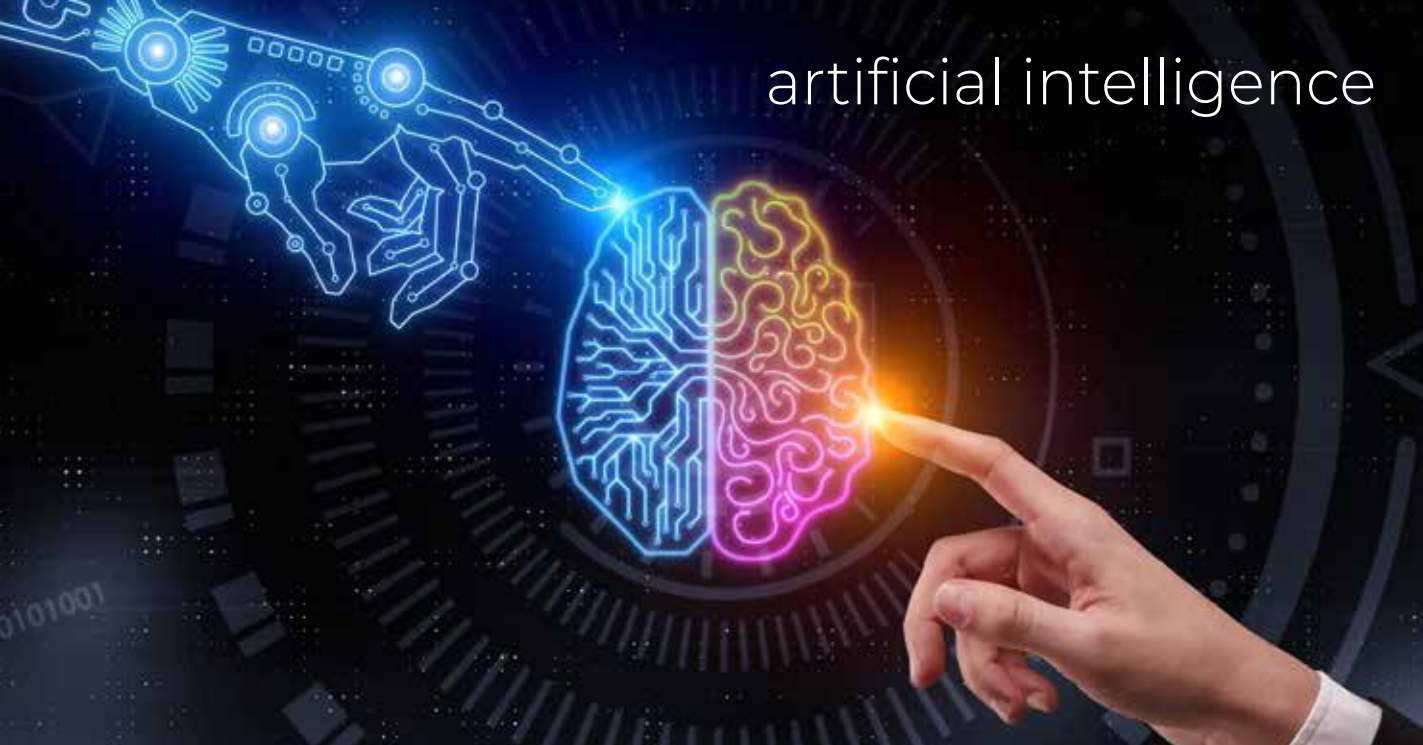
The mobile app is available on Google Play in two languages [Slovenian and English]. Users can install it by searching for the keyword RoWeb or simply by scanning the QR code below.

The first time you start the application. Enter the serial number of the device and select save. Between the menus of the application, the user scrolls to the left or right to acces all the menus.

The second screen below shows the status of WWTP in the NORMAL operating mode. User can click on the button to access the instructions of operation. By clicking on the button info the user can activate the HOLIDAY mode. By clicking the same button again the NORMAL MODE is switched on again.

On the third screen below displays information of the WWTP operation.

Screen above shows the user personal data and the e-mail address of the service company. Screen below shows the current alarm, and the user has the option to turn on notifications. Below the notifications tabs, there is shown history of the last 100 alarms, which cannot be deleted and is also permanently stored in our control center.



Water tanks

Waste water treatment plants

Septic tanks

Grease separators

Oil separators

Shafts

Pumping stations



The user settings menu allows you to choose between INFO, ALARMS, SERVICE, PROGRAM, ANALYSIS.

The basic picture shows all the most important elements of the operation of the treatment plant such as serial number, operating mode (eg normal or holiday), operating schedule (cycles), adequacy of operation and possible malfunctions and user settings.

The **LAB DATA** menu allows you to display the last laboratory analysis of the WWTP. Laboratory analyzes are entered via the service settings of the mobile application or directly from the operator control center.

The **INFO** menu shows the operating hours of the WWTP, the number of hours until depletion, the operating hours of the compressor and the number of hours until the compressor is serviced.

The **SERVICE** menu allows manual activation of all treatment plant actuators. It is intended to test the operation of an individual actuator.

The **ABOUT** menu allows you to view the system data of the WWTP like date, time, IP address, serial number, device name, program version and operating time.

The **ALARM** menu shows WARNINGS and ERRORS.



RoWeb SLO



RoWeb EN

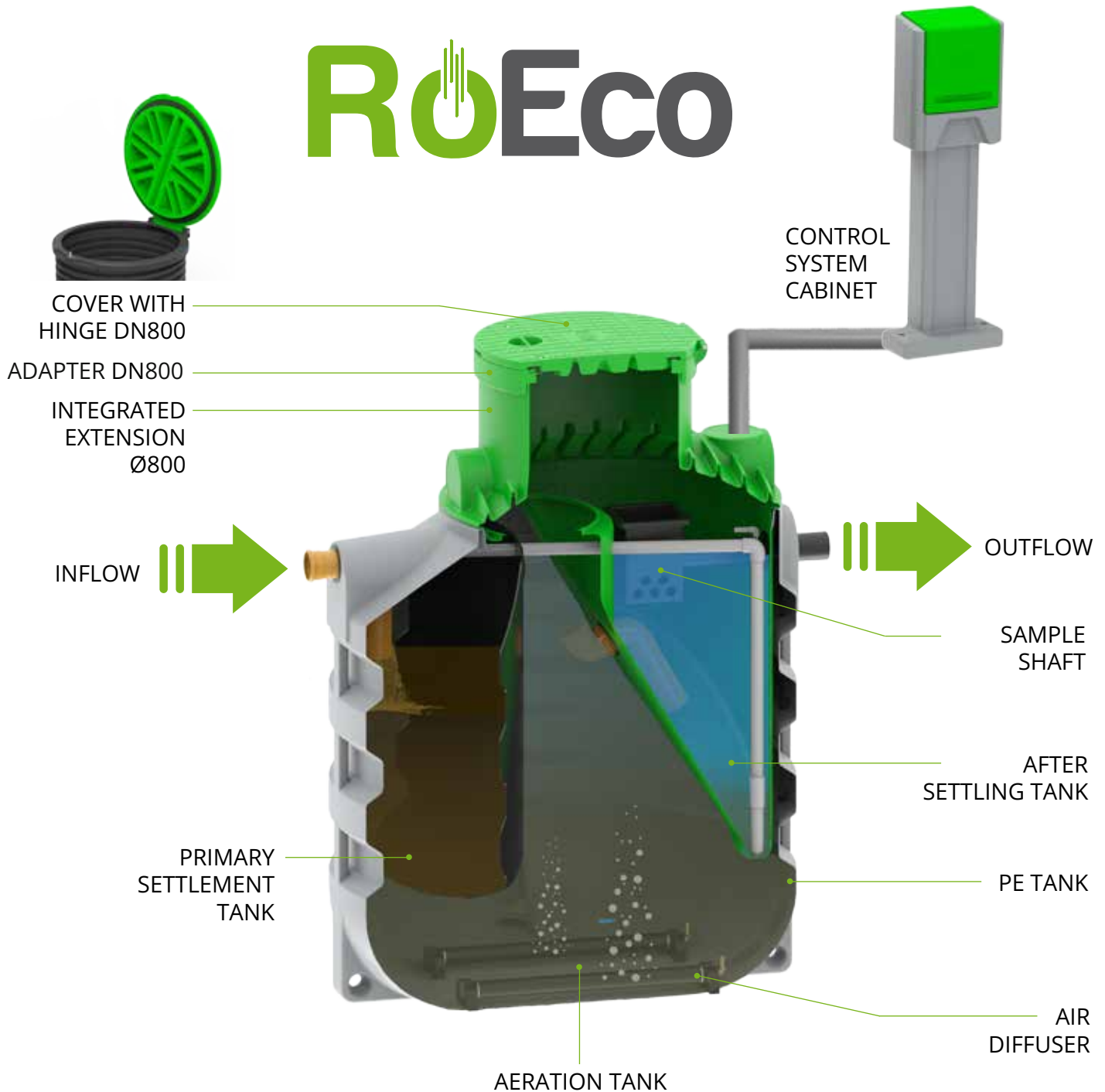


BY PHONE OR TABLET

award for innovation



RoEco



FLOW TECHNOLOGY

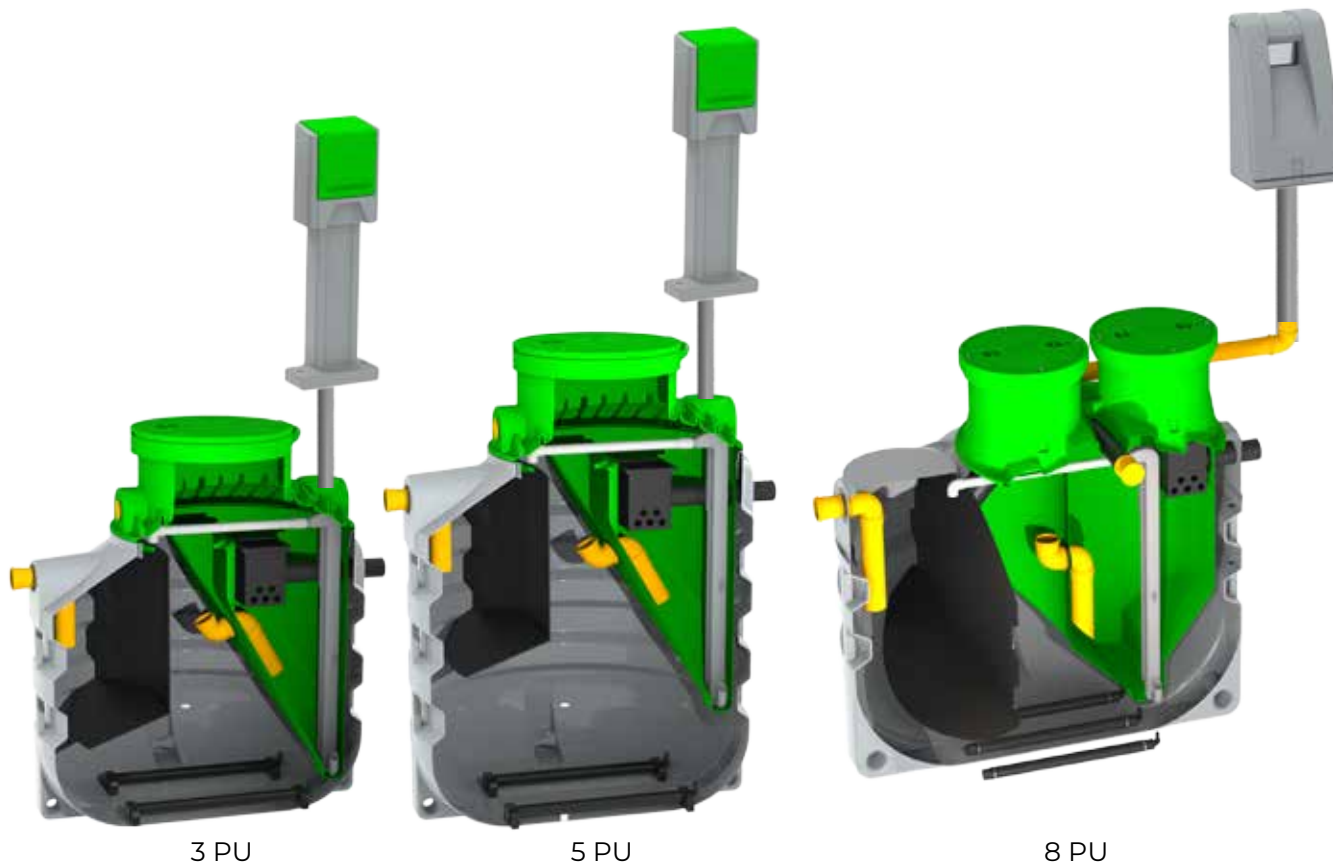
The RoEco biological treatment plant purifies water in 3 steps:

1 PRIMARY settler - water from the household flows into the primary settler in which floating non-degradable particles are retained

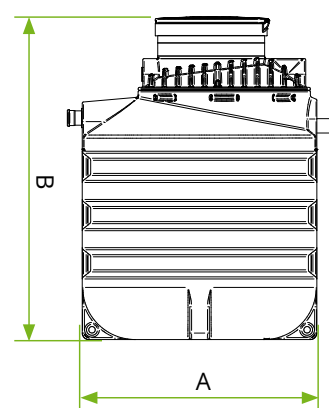
2 AERATION - water flows into the aeration chamber through an opening in the bottom of the primary settler. At the bottom of the treatment plant, pipe diffusers are installed through which we supply air, which enables the biological cleaning process.

3 CLEANER - over the overflow elbow, water flows from the aerator to the clarifier, where sedimentation follows. With the help of an air pump, the sediments are pumped back into the primary settler.

Using flow technology, wastewater is treated in accordance with legal limit values. All components of the treatment plant are made in Slovenia from high quality materials.



| PU | 3 | 5 | 8 |
|-------------------------------------|--------------|--------------|---------------|
| Code | 7200668100 | 7200663800 | 7200663810 |
| Max. day inflow [l/dan] | 450 | 700 | 1200 |
| Volume [L] | 3200 | 4000 | 6000 |
| Dimension A x B [mm] | Ø1800 x 2000 | Ø1800 x 2350 | Ø2300 x 2300 |
| Diameter of inspection opening | 1x DN800 | 1x DN800 | 2x DN600 |
| Diameter of inflow/outflow pipe | DN 110 | DN 110 | DN 125 |
| Airflow volume (compressor) [l/min] | 80 | 80 | 150 |
| Power consumption (compressor) [W] | 58 | 58 | 170 |
| Sound level [dB] | 36 | 36 | 46 |
| Control system cabinet | P4 | P4 | P6 upper part |
| Control unit | RoControl RE | RoControl RE | RoControl RE |
| Sample shaft | 20 L | 20 L | 20 L |



- Water tanks
- Waste water treatment plants
- Septic tanks
- Grease separators
- Oil separators
- Shafts
- Pumping stations

COVER DN 600 WITH TELESCOPIC EXTENSION

The Roterra tank cover with seal and hinged opening ensures effective water tightness. The load capacity of the PE DN 600 cover is up to 200 kg.

DN 600 HINGED COVER

The height of the extension can be adjusted to the terrain.

Height adjustment

300 mm

INFLOW

OUTFLOW

SLOTTED PIPE

AIR LIFT PUMP

SECONDARY SETTLEMENT TANK

INSTALLATION

The levelled base makes installation quick and easy. The new design requires less gravel around the tank.

NEW DESIGN

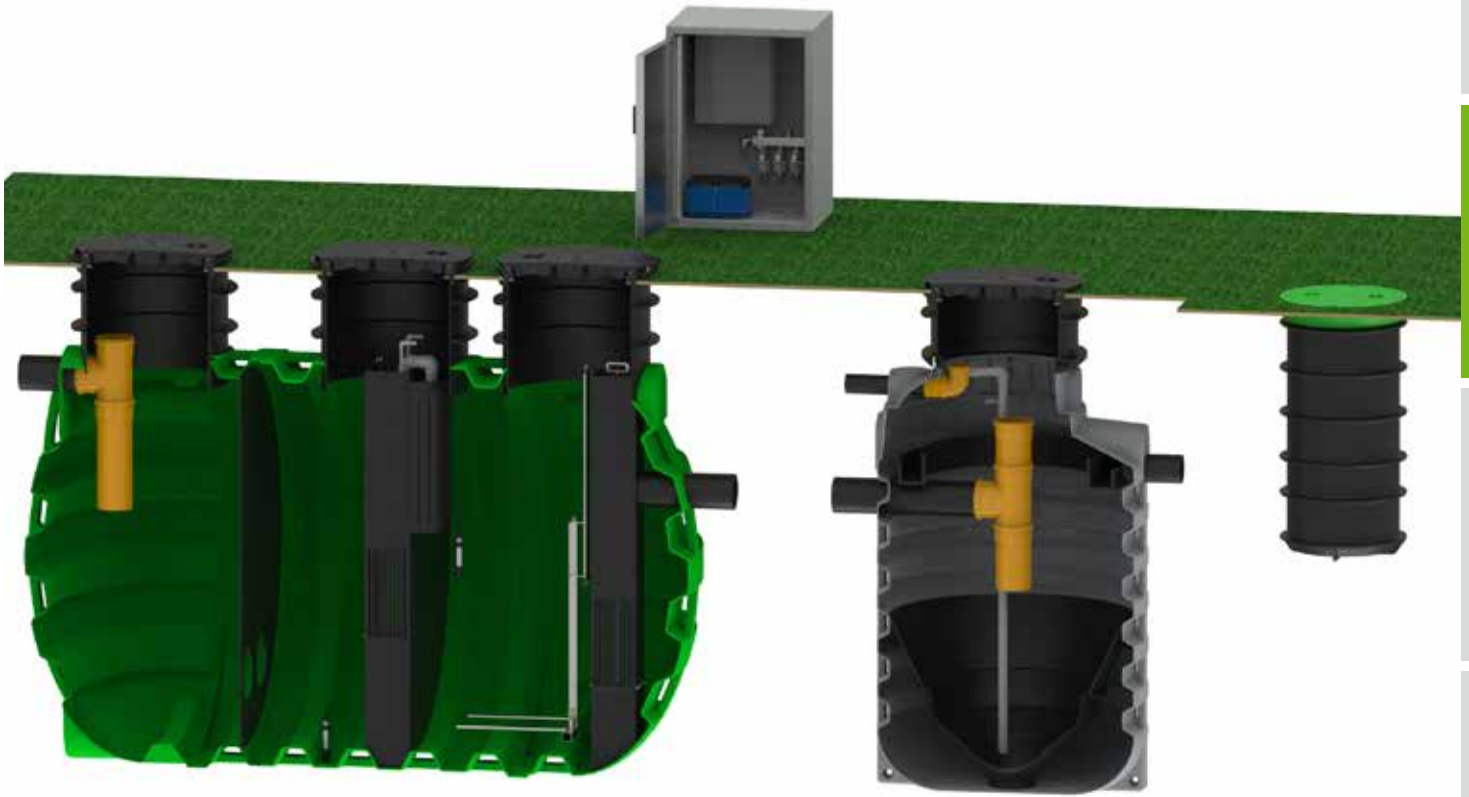
The rectangular shape of the tank ensures excellent statics and strength.

BIOCARRIER

MBBR REAKTOR

AIR DIFFUSER

| Product | Volume [L] | Max day inflow | Code | Dimensions A x B x C [mm] | Cover [mm] |
|--------------|------------|--------------------|------------|---------------------------|------------|
| 4 PU EcoBlue | 4.000 L | 0,9 m ³ | 7200079810 | 2330 x 1175 x 1950-2280 | Ø600 |
| 8 PU EcoBlue | 6.000 L | 1,5 m ³ | 7200079770 | 2450 x 1350 x 2520-2720 | 2x Ø600 |



Water tanks

Waste water treatment plants

Septic tanks

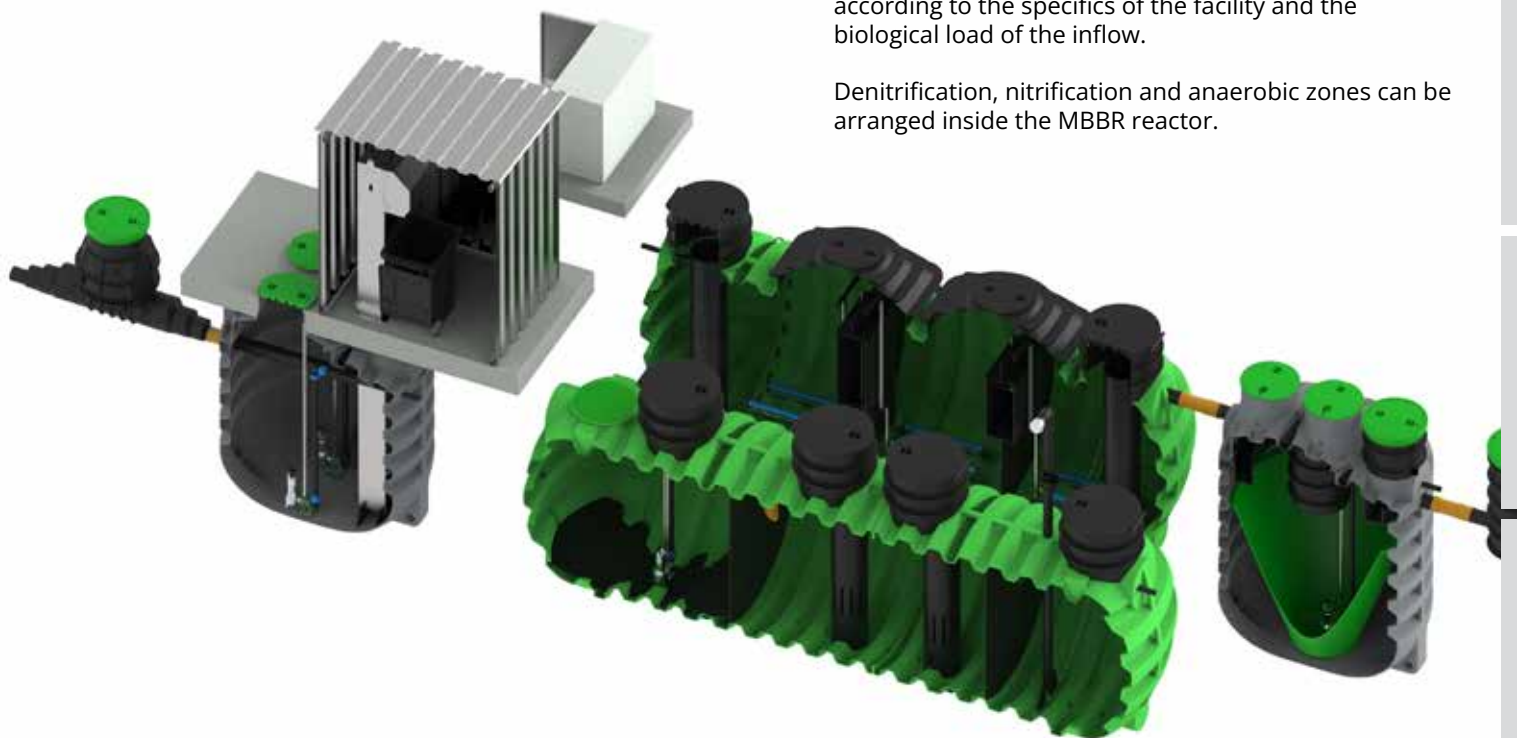
We produce treatment plants with MBBR technology for larger facilities up to a capacity of 2000 PE.

Operation and technological design are adjusted according to the specifics of the facility and the biological load of the inflow.

Denitrification, nitrification and anaerobic zones can be arranged inside the MBBR reactor.

Grease separators

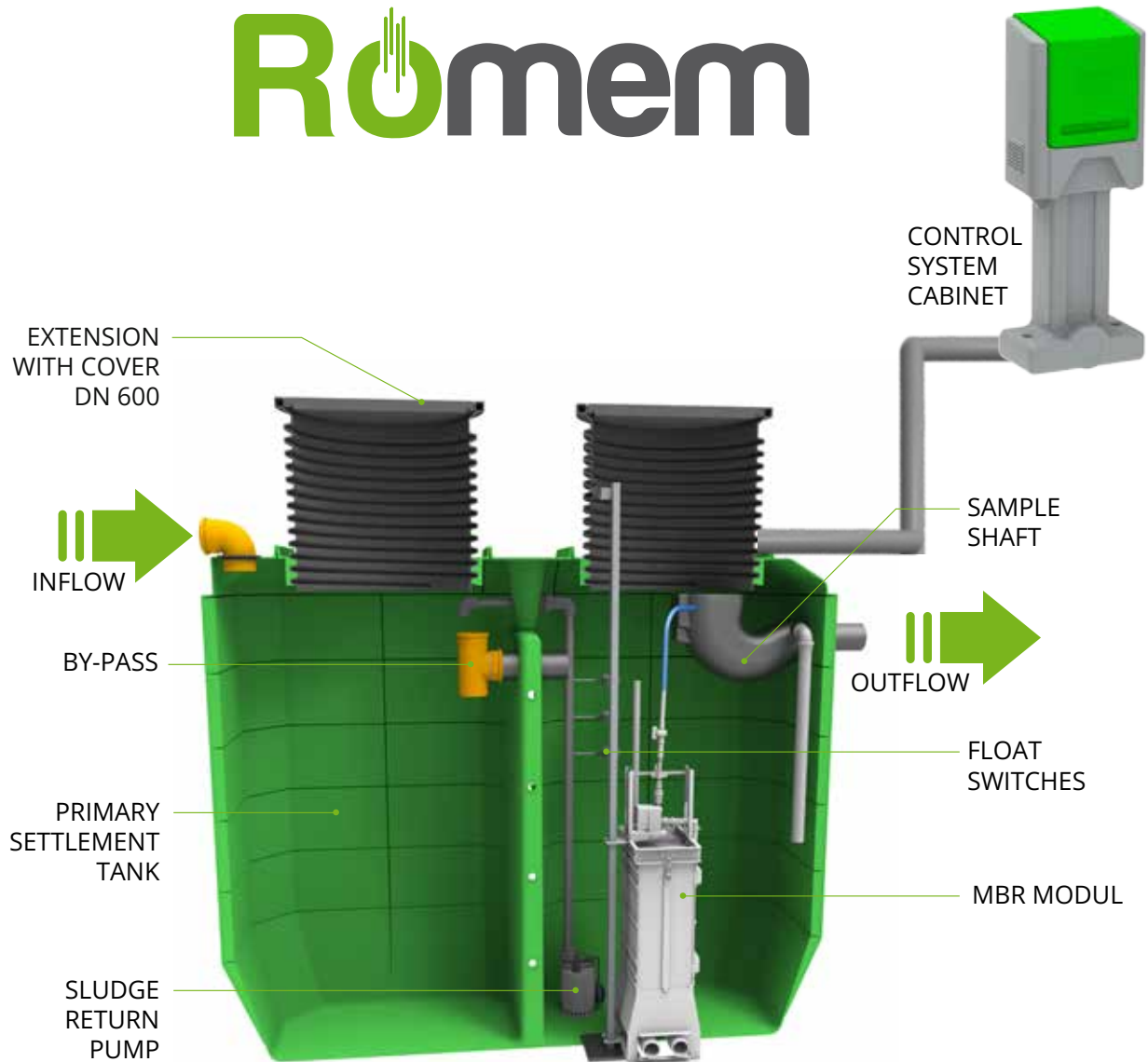
Oil separators



Shafts

Pumping stations

RoMem



MBR TECHNOLOGY:

A membrane bioreactor (MBR) is a waste water treatment process that combines membrane filtration and biological treatment. This innovative technology offers a number of advantages over the conventional sludge activation process, such as higher biomass concentration and elimination of the need for additional treatment.

RoMem purifies waste water into clean, high-quality water that can be discharged into nature, or used for irrigation and some sanitation purposes.

The MBR module consists of polypropylene panels with a polymer membrane on each side and a frame. The membranes are installed in a RoBox polyethylene tank. In addition to filtration, aeration takes place in the tank. The membranes are cleaned once or twice a year.

The elevated biomass concentration in the MBR process allows for very efficient removal of both soluble and insoluble particles of biodegradable materials at high loading rates. Extended retention times ensure that the waste water is fully nitrified even in very cold weather.

In wastewater treatment with MBR technology, the biological treatment process is combined with a filtration unit (membrane filter). The membrane filter consists of a large number of membranes through which water is separated from biomass.

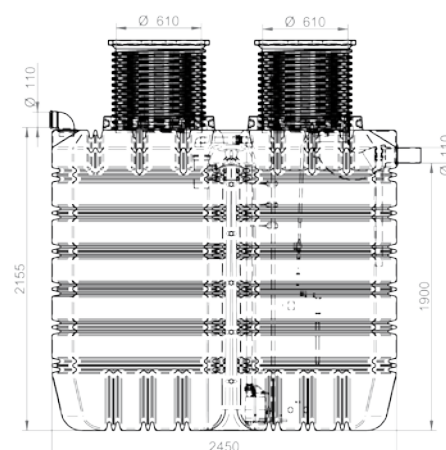
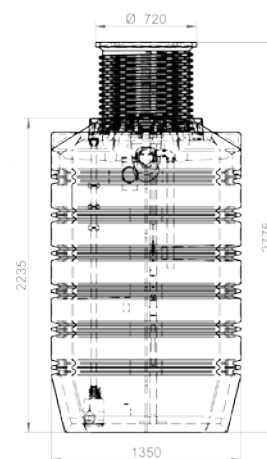
With MBR technology we achieve better quality of purified water at the outlet.

ADVANTAGES

- higher degree of purification
- possibility to reuse purified water (for watering, rinsing, etc....)
- possibility of industrial water treatment
- minimized unpleasant odor
- it also works reliably in intermittent inflows



| PU | 4 | 6 |
|------------------------------------|--------------------|--------------------|
| Code | 7200088800 | 7200088810 |
| Max. day inflow [l/dan] | 600 | 900 |
| Volume [L] | 4000 | 6000 |
| Dimension A x B [mm] | 2330 x 1175 x 2440 | 2450 x 1350 x 2775 |
| Diameter of inspection opening | DN600 | DN600 |
| Diameter of inflow/outflow pipe | DN110 | DN110 |
| Airflow volume (compresor) [l/min] | 120 | 120 |
| Power consuption (compresor) [W] | 130 | 130 |
| Sound level [dB] | 48 | 48 |
| Control system cabinet | P5 | P5 |
| Control unit | MS | MS |
| Sample shaft | 5 L | 5 L |



Water tanks

Waste water treatment plants

Septic tanks

Grease separators

Oil separators

Shafts

Pumping stations

EkoFloat

EkoFloat industrial water systems operate on the principle of dissolved air flotation system (DAF), which is designed to remove common suspended solids, fats, oils and greases.



Advantages

- the possibility of renting a pilot device
- own development center
- technologically advanced design
- package solutions
- many years of experience in the field of sewage treatment plants

Fields of application



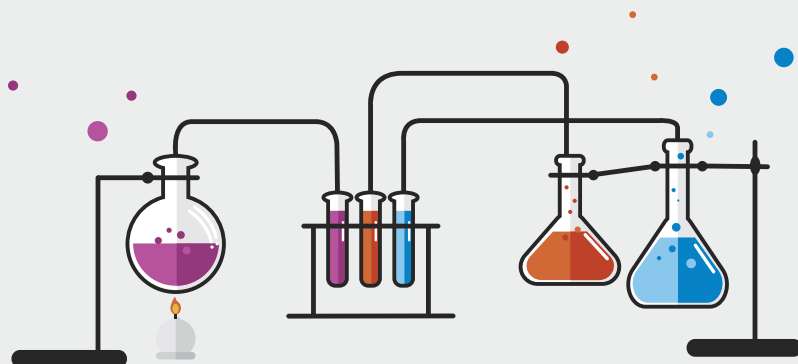
Industry

- Slaughterhouses
- Dairies
- Breweries
- Distilleries
- Fish processing
- Bakeries
- Food processing
- Refineries
- Industrial chemical cleaning
- Textile industry
- Paper industry
- Plastics industry



Communal waters

- Primary treatment before biological
- Sludge cleaning
- Thickening of sludge
- Tertiary treatment
- Surface water treatment
- Gray water treatment (hotels)
- Drinking water



PILOT INSTALLATIONS

We also offer the possibility to rent pilot systems for industrial water. You can pre-test the pilot plants and check the performance of the systems for your business.



INDUSTRIAL TREATMENT PLANTS



Water tanks

Waste water
treatment plants

Septic tanks

Grease separators

Oil separators

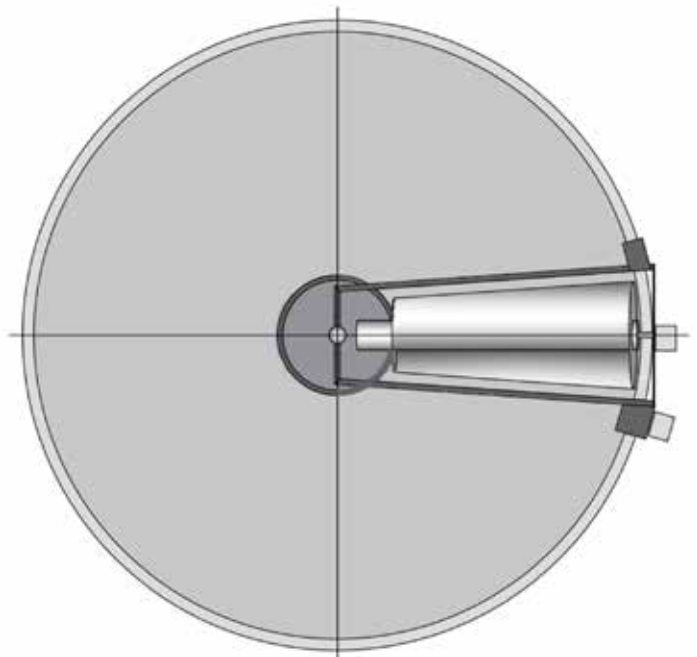
Shafts

Pumping stations

Optimized DAF Clarifier

The EkoFloat-E is a very compact circular DAF clarifier designed specifically for smaller application. The Unit is prefabricated into transportable sections and minimizes installation and maintenance costs. All wetted parts are in stainless steel or chemical resistant materials.

EkoFloat-E is available in 11 sizes from 16 to 450 m³/h. The EkoFloat-E has few moving parts and requires minimal maintenance.



| Type | Max. flow (m ³ /h)* | Tank ø (mm) | Tank H (mm) | Weight full of water (tons) |
|--------|--------------------------------|-------------|----------------|-----------------------------|
| E 18.5 | 16 | 1850 | 1000/1500 | 3/4,3 |
| E 25 | 34 | 2500 | 1000/1500 | 5/ 7,2 |
| E 32 | 60 | 3200 | 1000/1500/2000 | 8/11,5/15 |
| E 39 | 90 | 3900 | 1000/1500/2000 | 12/18/24 |
| E 45 | 115 | 4500 | 1000/1500/2000 | 15/23/31 |
| E 55 | 180 | 5500 | 1500/2000 | 34/46 |
| E 61 | 220 | 6100 | 1500/2000 | 42/57 |
| E 67 | 250 | 6700 | 1500/2000 | 51/68 |
| E 72 | 300 | 7200 | 1500/2000 | 60/85 |
| E 81 | 400 | 8100 | 1500/2000 | 80/96 |
| E 90 | 450 | 9000 | 1500/2000 | 108/140 |

*The maximal flow includes recycle flow and is dependent on suspended solids loading and application.



RECYCLING INDUSTRY

Optimized DAF Clarifier

The EkoFloat-R advanced flotation clarifier is a cost effective, continuously operating clarifier for liquids solids separation. The Unit is prefabricated into transportable sections and minimizes installation and maintenance costs. All wetted parts are in stainless steel or chemical resistant materials.

EkoFloat-R is available in 19 sizes from 16 to 2700 m³/h. The open tank has an approximate depth of around 400mm. Water is processed from inlet to outlet in two minutes.



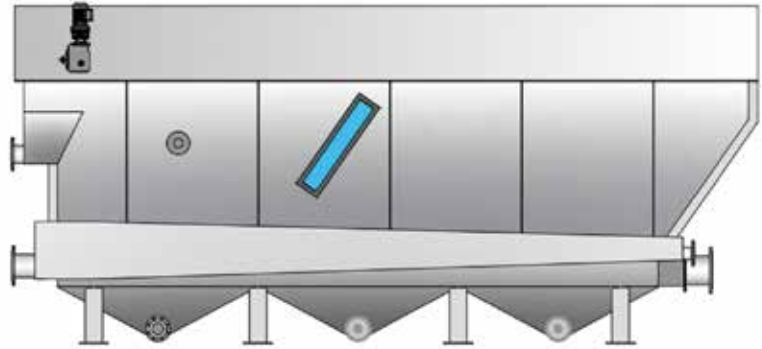
| Type | Max. flow (m ³ /h)* | Tank ø (mm) | Tank H (mm) | Weight full of water (tons) |
|--------|--------------------------------|-------------|-------------|-----------------------------|
| R 18.5 | 16 | 1850 | 755 | 2,2 |
| R 25 | 34 | 2500 | 850 | 4,4 |
| R 32 | 61 | 3200 | 850 | 6,9 |
| R 39 | 92 | 3900 | 900 | 9,9 |
| R 45 | 123 | 4500 | 950 | 12,7 |
| R 55 | 185 | 5500 | 950 | 19,1 |
| R 61 | 228 | 6100 | 950 | 23,3 |
| R 67 | 275 | 6700 | 950 | 27,7 |
| R 72 | 319 | 7200 | 950 | 33 |
| R 81 | 405 | 8100 | 950 | 40,9 |
| R 90 | 513 | 9000 | 950 | 49,1 |
| R 100 | 632 | 10000 | 950 | 63 |
| R 110 | 765 | 11000 | 950 | 75,4 |
| R 122 | 942 | 12200 | 950 | 91,2 |
| R 134 | 1135 | 13400 | 950 | 109 |
| R 148 | 1387 | 14800 | 950 | 135 |
| R 167 | 1785 | 16700 | 1050 | 185 |
| R 189 | 2160 | 18900 | 1050 | 245 |
| R 213 | 2700 | 21300 | 1050 | 300 |

*The maximal flow includes recycle flow and is dependent on suspended solids loading and application.



Optimized Horizontal DAF Clarifier

The EkoFloat-H is a re-designed state of the art high rate dissolved air flotation (DAF) clarifier which, in a break from traditional clarifier, use "U-Shaped-Separators" and provide maximum flowrate per surface area of footprint. The Unit is prefabricated into transportable sections and minimizes installation and maintenance costs. All wetted parts are in stainless steel or chemical resistant materials.



| Type | Max. flow (m ³ /h)* | A (mm) | B (mm) | C (mm) | Weight full of water (tons) |
|------------|--------------------------------|--------|--------|--------|-----------------------------|
| H 25 | 25 | 2000 | 2800 | 1500 | 2,5 |
| H 50 | 50 | 2800 | 2800 | 1500 | 4,5 |
| H 75 | 75 | 2900 | 2800 | 2000 | 8 |
| H 100 | 100 | 3000 | 2800 | 2500 | 11 |
| H 150 | 150 | 3600 | 2800 | 2500 | 14 |
| H 200 | 200 | 4600 | 2800 | 2500 | 18 |
| H 250 | 250 | 5200 | 3000 | 2500 | 22 |
| H 312 | 312 | 6600 | 3000 | 2500 | 28 |
| H 375 | 375 | 7600 | 3000 | 2500 | 35 |
| H 500 | 500 | 9600 | 3000 | 2500 | 44 |
| H 625 | 625 | 9800 | 3000 | 2500 | 52 |
| H 625 - 2 | 625 | 9300 | 3300 | 4600 | 55 |
| H 750 | 750 | 10400 | 3400 | 3300 | 66 |
| H 750 - 2 | 750 | 9100 | 3300 | 4600 | 67 |
| H 1000 - 2 | 1000 | 11100 | 3800 | 4600 | 116 |
| H 1250 - 2 | 1250 | 12700 | 3800 | 5000 | 165 |

*The maximal flow includes recycle flow and is dependent on suspended solids loading and application.



MILK INDUSTRY

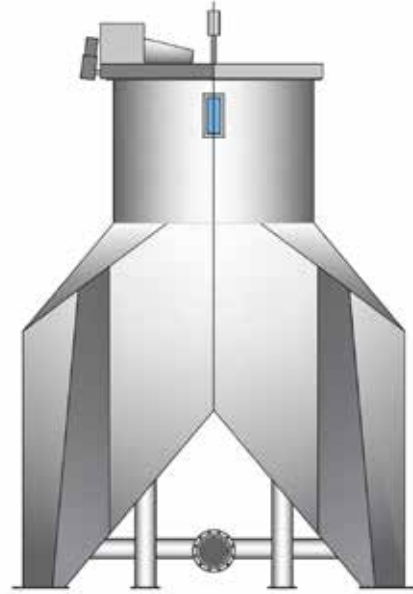


MILK INDUSTRY

Optimized Vertical DAF Clarifier

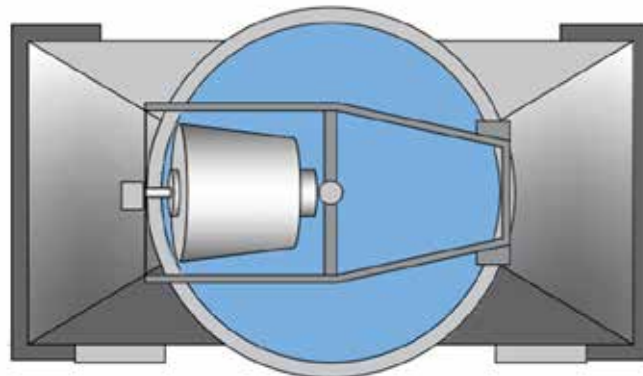
The EkoFloat-V is a state of the art high rate dissolved air flotation clarifier (DAF) which, in a break from traditional clarifier, use "U-Shaped-Separators" and provide maximum flowrate per surface area of footprint. The Unit is prefabricated into transportable sections and minimizes installation and maintenance costs. All wetted parts are in stainless steel or chemical resistant materials.

EkoFloat-V is available in 17 sizes from 12,5 to 1250 m³/h. The EkoFloat-V is a new optimized generation of vertical DAF clarifier, optimized, designed and manufactured by Ekoling d.o.o.

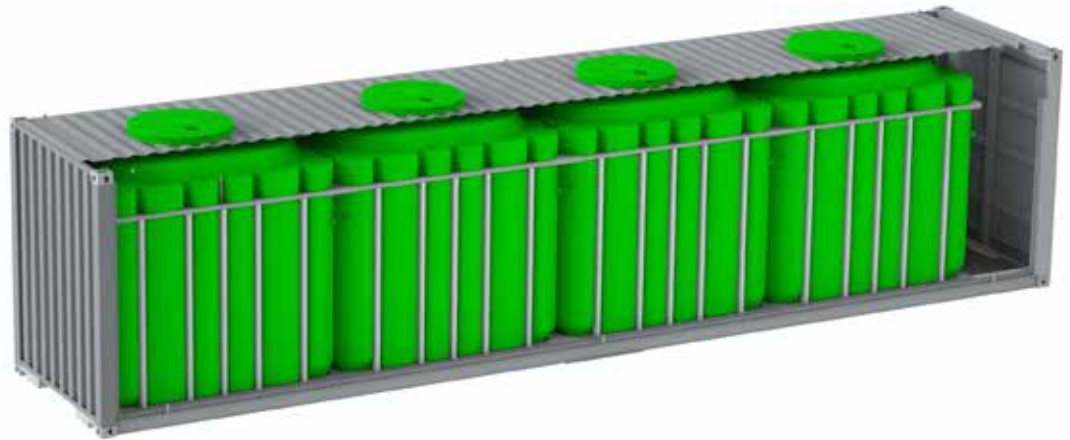


| Type | Max. flow (m ³ /h)* | A ø (mm) | B (mm) | C (mm) | D (mm) | Weight full of water (tons) |
|------------|--------------------------------|----------|--------|--------|--------|-----------------------------|
| Ø V 75 | 75 | 2250 | 4250 | - | - | 17 |
| Ø V 100 | 100 | 2250 | 5250 | - | - | 22 |
| Ø V 150 | 150 | 2250 | 6250 | - | - | 27 |
| Ø V 200 | 200 | 2250 | 7250 | - | - | 32 |
| Ø V 250 | 250 | 2250 | 8250 | - | - | 38 |
| Ø V 375 | 375 | 3000 | 9000 | - | - | 65 |
| # V 12,5 | 12,5 | - | 3100 | 1500 | 550 | 1,9 |
| # V 25 | 25 | - | 3100 | 1500 | 1000 | 3,2 |
| # V 50 | 50 | - | 4100 | 1500 | 1000 | 5,1 |
| # V 75 | 75 | - | 4100 | 1500 | 1500 | 7,5 |
| # V 250-2 | 250 | 2100 | 5350 | 4300 | 2300 | 25 |
| # V 375-2 | 375 | 2100 | 6900 | 4300 | 2300 | 35 |
| # V 500-2 | 500 | 2100 | 8100 | 4300 | 2300 | 60 |
| # V 500-4 | 500 | 4000 | 5350 | 4350 | - | 80 |
| # V 750-4 | 750 | 4000 | 6600 | 4350 | - | 110 |
| # V 1000-4 | 1000 | 4000 | 7650 | 4350 | - | 150 |
| # V 1250-4 | 1250 | 4000 | 8800 | 4350 | - | 200 |

*The maximal flow includes recycle flow and is dependent on suspended solids loading and application.



Water tanks



Waste water treatment plants

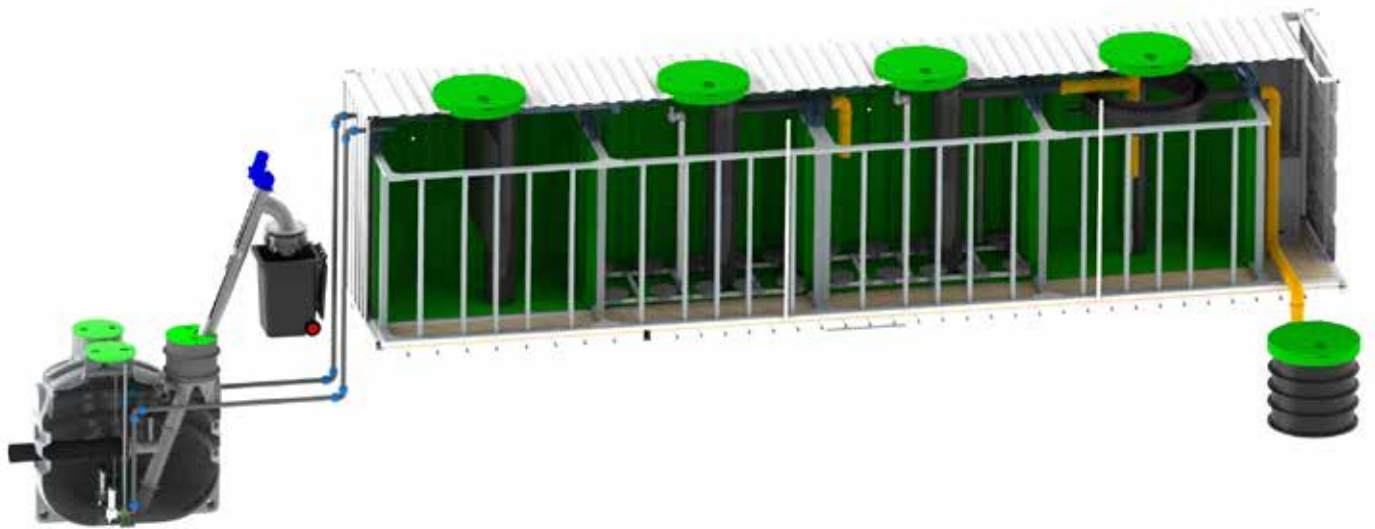
Septic tanks

Grease separators

Oil separators

Shafts

Pumping stations



COMING SOON



RESTAURANT



CAMP



VINERY



COTTAGE



SCHOOL



VILLAGE



VILLAGE

Water tanks

Waste water treatment plants

Septic tanks

Grease separators

Oil separators

Shafts

Pumping stations



- Inlet pipe size DN110 till DN160

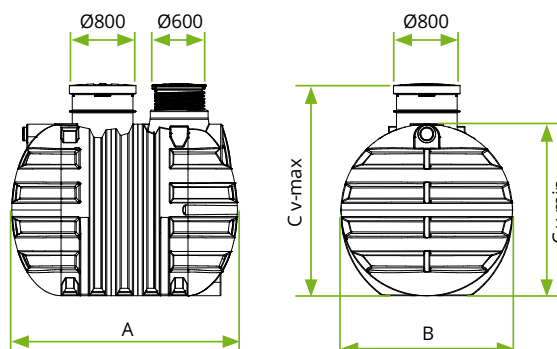
Types:

- two-chamber
- three-chamber

Septic tanks are built as an impermeable collector for municipal wastewater, from which municipal wastewater is taken for treatment or treatment at a municipal wastewater treatment plant. Exceptionally, municipal wastewater may be collected in a non-flowing septic tank only in areas where the treatment of municipal wastewater in the WWTP is not technically feasible due to special circumstances such as special geographical conditions or sparsely populated buildings.

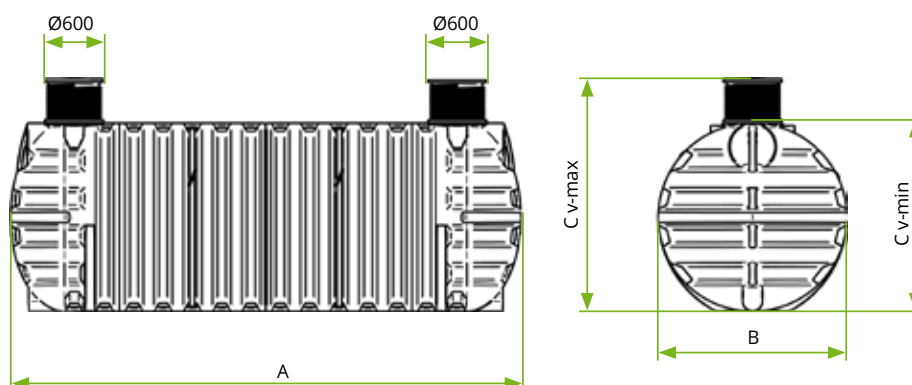


| Volume [L] | 2-chamber (code) | 3-chamber (code) | A [mm] | B [mm] | C (v-min) [mm] | C (v-max) [mm] | D (H inflow) [mm] | DN (inflow/inflow pipe) [mm] |
|------------|------------------|------------------|--------|--------|----------------|----------------|-------------------|------------------------------|
| 1.000 | 7500063610 | - | 1580 | 1060 | 1000 | 1380 | 850 | 110 |
| 2.200 | 7500067610 | - | 1840 | 1400 | 1600 | 2100 | 1250 | 110 |
| 2.600 | 7500067380 | - | 2150 | 1400 | 1600 | 2100 | 1250 | 110 |
| 3.000 | 7500063600 | - | 2400 | 1400 | 1600 | 2100 | 1250 | 110 |
| 3.500 | 7500063300 | - | 2080 | 1800 | 2050 | 2550 | 1600 | 110 |
| 5.000 | 7500062390 | 7500063620 | 2450 | 1800 | 2050 | 2550 | 1600 | 110 |
| 6.000 | 7500063280 | 7500063290 | 2820 | 1800 | 2050 | 2550 | 1600 | 110 |
| 8.000 | 7500062550 | 7500062560 | 2680 | 2300 | 2350 | 2850 | 2100 | 160 |
| 10.000 | 7500069031 | 7500069032 | 3040 | 2300 | 2350 | 2850 | 2100 | 160 |
| 12.000 | 7500062510 | 7500062530 | 3760 | 2300 | 2350 | 2850 | 2100 | 160 |
| 16.000 | 7500066190 | 7500066200 | 4840 | 2300 | 2350 | 2850 | 2100 | 160 |





| Volume [L] | 2-chamber (code) | 3-chamber (code) | A [mm] | B [mm] | C (v-min) [mm] | C (v-max) [mm] | D (H inflow) [mm] | DN (inflow/inflow pipe) [mm] |
|------------|------------------|------------------|--------|--------|----------------|----------------|-------------------|------------------------------|
| 20.000 | 7500062590 | 7500062690 | 4540 | 2300 | 2350 | 2850 | 2050 | 160 |
| 25.000 | 7500067620 | 7500067640 | 5720 | 2300 | 2350 | 2850 | 2050 | 160 |
| 30.000 | 7500065000 | 7500065001 | 6550 | 2425 | 2700 | 3000 | 2400 | 160 |
| 35.000 | 7500065010 | 7500065011 | 7530 | 2425 | 2700 | 3000 | 2400 | 160 |
| 40.000 | 7500065020 | 7500065021 | 8510 | 2425 | 2700 | 3000 | 2400 | 160 |
| 45.000 | 7500065030 | 7500065031 | 9870 | 2425 | 2700 | 3000 | 2400 | 160 |
| 50.000 | 7500065040 | 7500065041 | 10850 | 2425 | 2700 | 3000 | 2400 | 160 |
| 55.000 | 7500065050 | 7500065051 | 11500 | 2425 | 2700 | 3000 | 2400 | 160 |
| 60.000 | 7500065060 | 7500065061 | 12480 | 2425 | 2700 | 3000 | 2400 | 160 |
| 65.000 | 7500065070 | 7500065071 | 13460 | 2425 | 2700 | 3000 | 2400 | 160 |



In businesses which produce wastewater containing fat or grease, grease separators must be installed in accordance with EN 1825 and DIN 4040-100 in order to prevent damage to sewer pipes and wastewater treatment facilities. They reduce incidents of blocked drains from kitchen, improve the performance of septic tanks, prevent contamination of small sewage treatment plants.

Installation

The grease separator should be installed close to the source of contamination, inside or outside the building.

Underground grease separator should be located close to the building in areas where release of strong and aggressive odors will not pose a problem and where it is possible to access the separator with the disposal hose of the disposal truck.

The inlet level must be located below the frost level. The grease separator has to be opened for emptying and cleaning.

Material

ROTO grease separators are made from environmentally friendly material (PE). They are very durable, lightweight and resistant against various chemical substances used in kitchen.

Advantages

- produced in EU
- in accordance with standard BS EN 1825-1
- made from durable, hard polyethylene (LLDPE)
- has a long lifetime
- 100% recyclable after use
- waterproof
- quick and easy installation (light weight, no need for a crane)
- easy maintenance
- low operating costs



Determine the size

$$NG = Q_s * f_d * f_t * f_r * f_m$$

Q_s - the amount of waste water in l/s

f_d - density of grease (if it is greater or lesser than 0.94 g/cm³)

f_t - temperature factor (if higher than 50 °C, is increased)

f_r - detergents factor

f_m - increased grease factor

COVER WITH HINGE

The cover with gasket and hinged opening ensures effective water tightness.

INFLOW

TELESCOPIC EXTENSION

The telescopic extension is shaped like a screw. This mode allows quick and easy adjustment of the height when digging. The dimensions of the extension are Ø600 x 400 mm.

OUTFLOW

GREASE

In the grease separator oils and fats are retained at the surface due to the difference in the density of fluids.

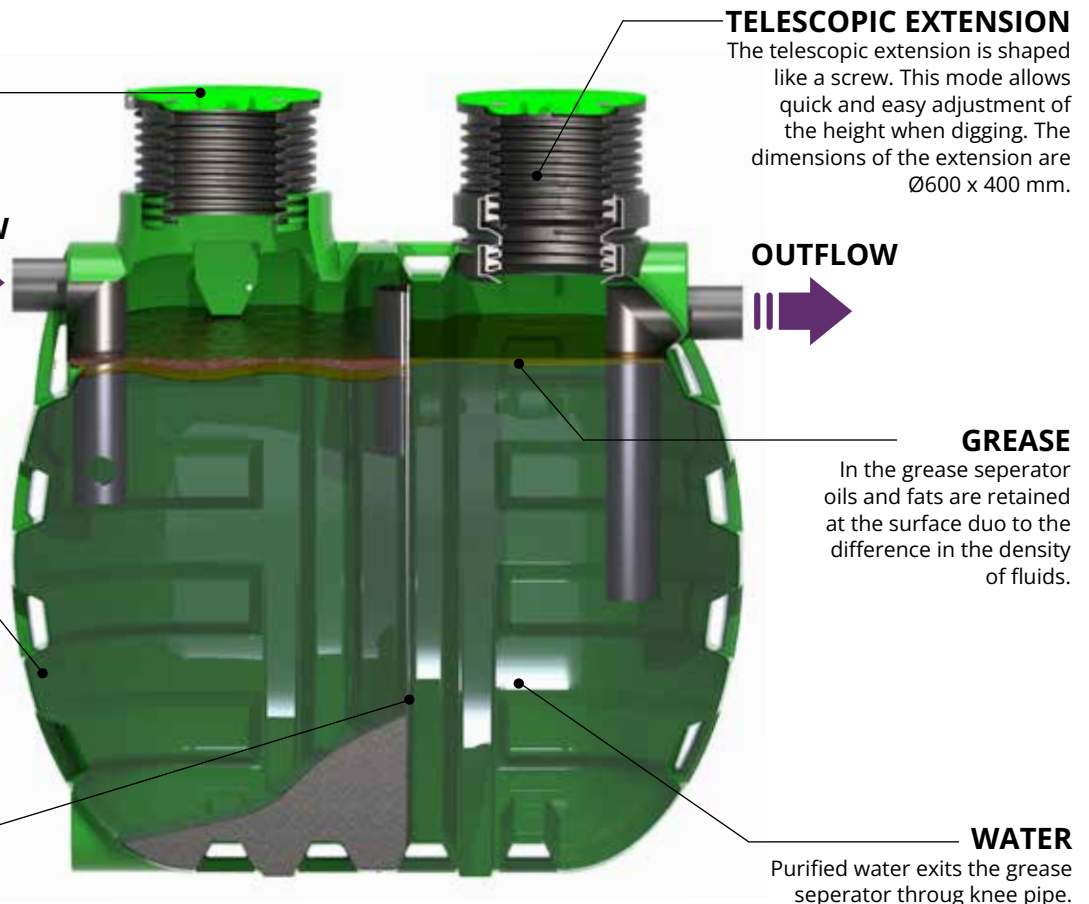
MUD COLLECTOR

In a sludge settling tank, the flow of the wastewater is moderated, so the heavier particles settle to the bottom.

DIVIDING WALL

WATER

Purified water exits the grease separator through knee pipe.



GREASE SEPARATORS



Water tanks

Waste water treatment plants

Septic tanks

Grease separators

Oil separators

Shafts

Pumping stations



Water tanks

Waste water treatment plants

Septic tanks

Grease separators

Oil separators

Shafts

Pumping stations

TELESCOPIC EXTENSION

Telescopic extension for RoFett in shaped as a screw. this shapes makes it possible to adjust the height of the tank easily on the site of installation. Dimensions of the extension are Ø600 x 400 mm.

COVER WITH HINGE

Covers for grease seperators come with hinged covers, that have seals installed, which make them easy to open and ensure air tight seal.

INFLOW

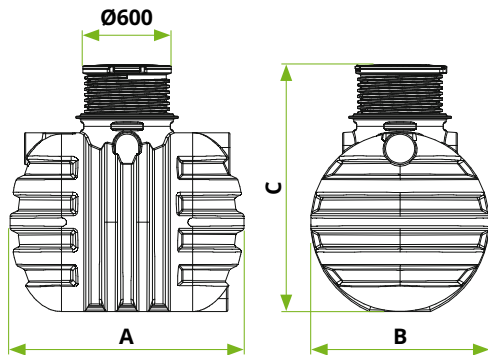


OUTFLOW



REINFORCING RIBS

Reinforcing ribs on both sides provide stability of the tank and protection in the event of high water table.



| Volume [L] | NG [L/s] | Code | Dimensions A x B x C [mm] | Pipe DN [mm] | Inspection opening [mm] |
|------------|----------|------------|---------------------------|--------------|-------------------------|
| 500 | 1 | 7400075310 | 1120 x 860 x 1230 | 110 | Ø390 |
| 1.000 | 2 | 7400075370 | 1580 x 1060 x 1370 | 110 | Ø390 |
| 2.000 | 4 | 7400075320 | 1840 x 1400 x 1930 | 110 | Ø600 |
| 3.500 | 7 | 7400075330 | 2080 x 1800 x 2380 | 160 | Ø600 |
| 5.000 | 10 | 7400075360 | 2450 x 1800 x 2380 | 160 | Ø600 |
| 6.000 | 15 | 7400075340 | 2820 x 1800 x 2390 | 200 | Ø600 |
| 8.000 | 20 | 7400075390 | 2680 x 2320 x 2870 | 200 | Ø600 |
| 12.000 | 25 | 7400777970 | 3760 x 2320 x 2850 | 200 | Ø600 |



VERTICAL SHAPE

Vertical shape of the grease separator Rogre allows easy handling of the tank on site and easy installation.

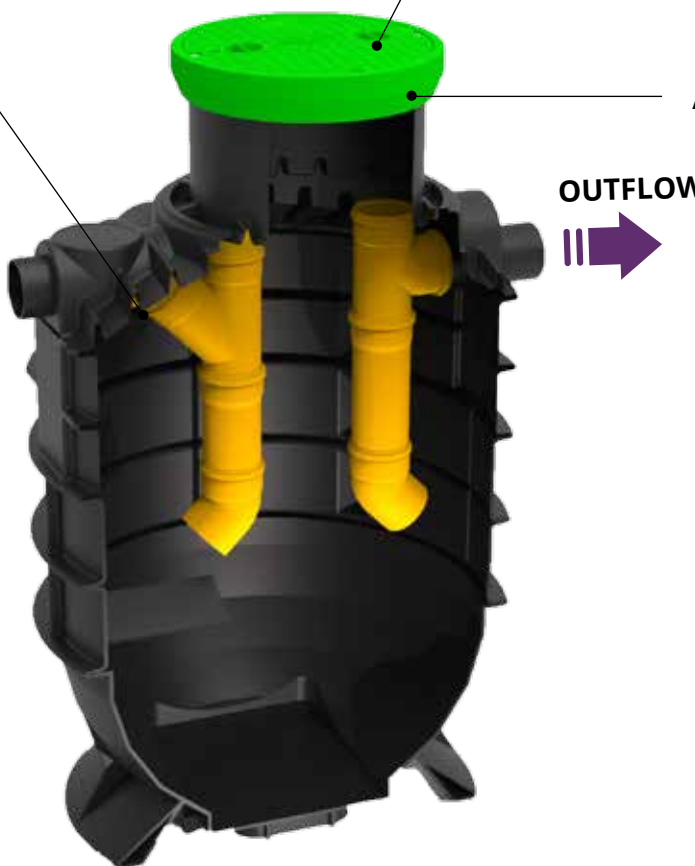
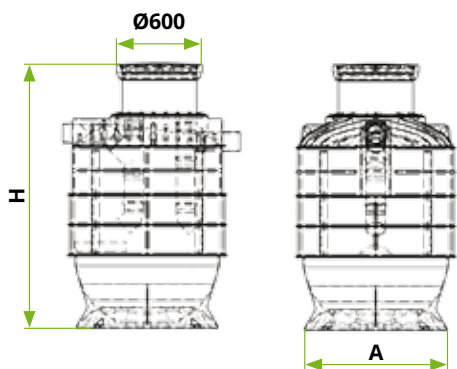
INSPECTION OPENING

Cover is made from strong and durable polyethylene and designed to be a tight fit.

ADAPTER

INFLOW

OUTFLOW



| Volume [L] | NG [L/s] | Code | Dimensions A x B x C [mm] | Pipe DN [mm] | Inspection opening [mm] |
|------------|----------|------------|---------------------------|--------------|-------------------------|
| 800 | 1 | 7400075400 | Ø1000 x 1650 | 110 | Ø620 |
| 1.000 | 2 | 7400075410 | Ø1000 x 1900 | 110 | Ø620 |
| 1.600 | 4 | 7400075420 | Ø1200 x 2200 | 125 / 160 | Ø620 |

Water tanks

Waste water treatment plants

Septic tanks

Grease separators

Oil separators

Shafts

Pumping stations



Biofett grease separator is a winner of Innovation Award of the Chamber of Commerce and Industry in Pomurje.

VERTICAL SHAPE

Vertical design of the Biofett grease separator allows the trap to be easily installed in existing buildings.

INSPECTION OPENING

Trapped grease can be easily removed through an opening at the top of the tank.

INFLOW



OUTFLOW

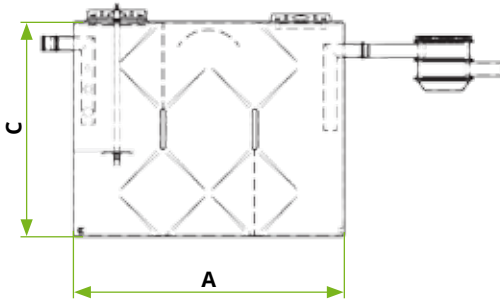


BACTERIA DOSING STATION

Installed in front of the inlet a cabinet in which the dosing with bacteria and a peristaltic pump for pH regulation.

INSTALLATION

The level base allows quick and easy installation.



OPERATION

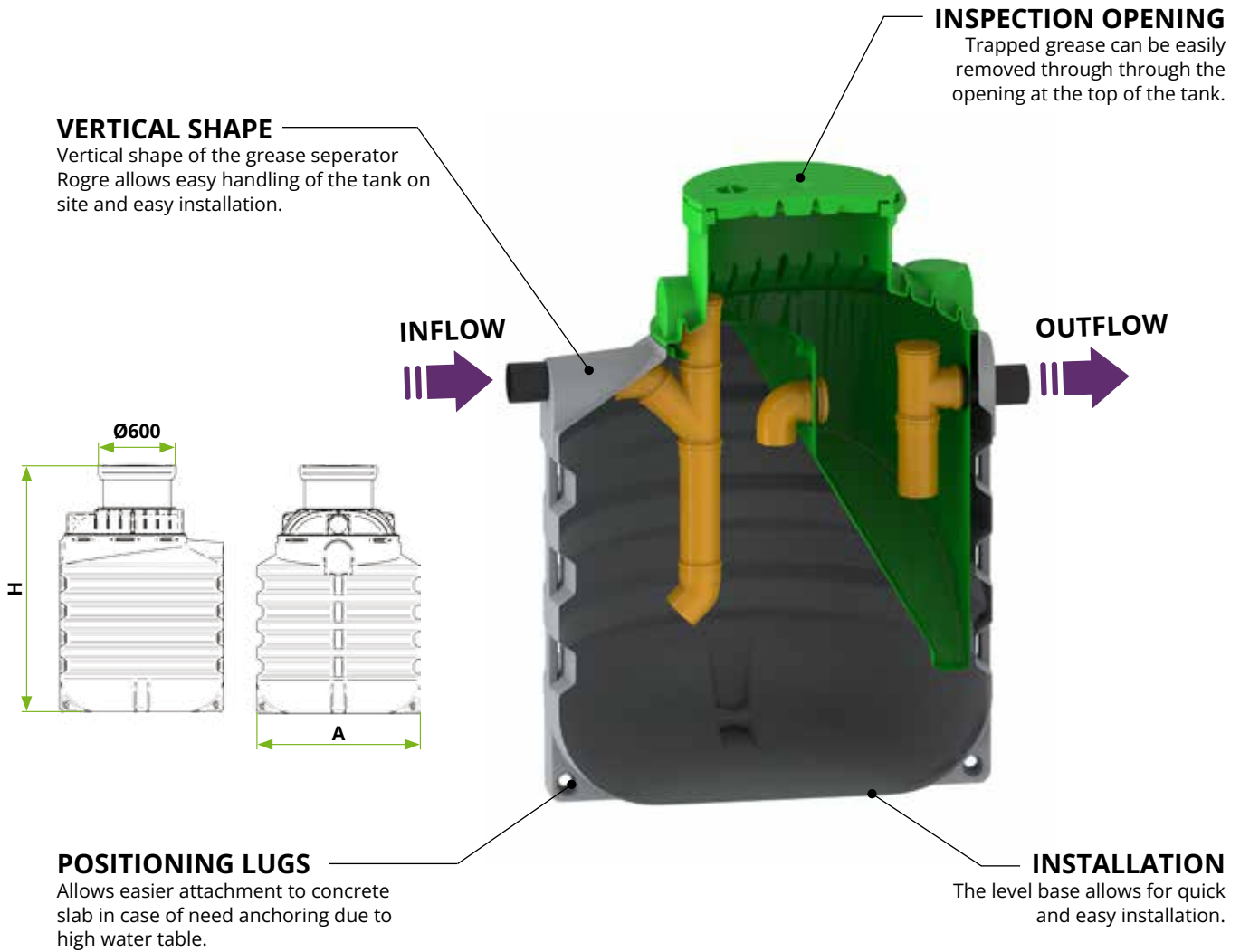
Dirty water flows into the grease separator the initial part acts as a settling tank for sludge and solids. Here the water flow is slowed down to a point, where solids and sludge can settle or be filtered. Further, the remaining grease floats to the top due to lower density. At the inflow a dosing cabinet is installed with bacteria and peristaltic pump which regulate pH balances. In addition NaOH is added at the inflow which regulates the acidity. After the filtration bacteria is added from the dosing station, which then break down the remaining grease particles into carbon dioxide and water. The product is tested on a grease trap NG4, where the flow rate is $q = 4 \text{ l/s}$ and a daily number of meals of 400 - 700 /day. The grease separator complies with SIST EN 1825-1.



The BioFett system reduces fat and pH and is therefore designed for kindergartens, schools, restaurants over 400 meals/day, food distribution centres over 400 meals/day, nursing homes, food service centres over 400 meals/day, food service centres over 400 meals/day The standard defines only mechanical separation of solids, grease and waste water. The ROTO Biofett grease trap has BIOLOGICAL FAT DISCLOSURE and a regulated pH regulation in the grease trap, so it achieves the required limit values of the pH parameter at outlet of the trap.

| Volume [L] | NG [L/s] | Code | Dimensions A x B x C [mm] | Pipe DN [mm] | Inspection opening [mm] |
|------------|----------|-----------|---------------------------|--------------|-------------------------|
| 2.300 | 4 | 740075690 | 2180 x 700 x 1725 | 110 | Ø440, Ø410 in Ø400 |





Water tanks

Waste water treatment plants

Septic tanks

Grease separators

Oil separators

Shafts

Pumping stations

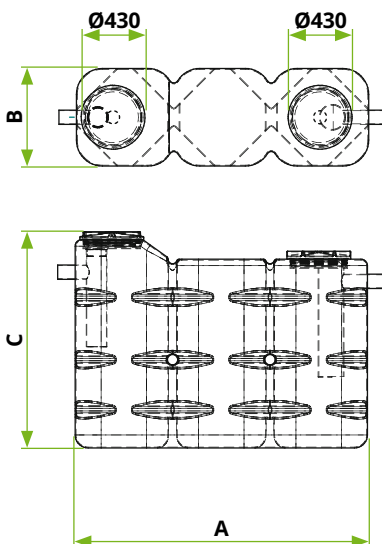
| Volume [L] | NG [L/s] | Code | Dimensions A x B x C [mm] | Pipe DN [mm] | Inspection opening [mm] |
|------------|----------|------------|---------------------------|--------------|-------------------------|
| 1.000 | 2 | 7400775310 | Ø1300 x 1850 | 110 | Ø800 |
| 2.000 | 4 | 7400775320 | Ø1500 x 2000 | 110 | Ø600 |
| 3.200 | 7 | 7400775330 | Ø1800 x 2100 | 160 | Ø800 |
| 4.000 | 10 | 7400775340 | Ø1800 x 2450 | 160 | Ø800 |
| 6.000 | 15 | 7400777960 | Ø2300 x 2350 | 200 | 2x Ø600 |
| 7.500 | 20 | 7400775360 | Ø2300 x 2700 | 200 | 2x Ø600 |

INSPECTION OPENING

Captured fat can be easily removed through the opening at the top of the tank.

DIMENSIONS

Due to the smaller dimensions and rectangular shape, Romast grease separators can be easily installed in existing buildings.

INFLOW**OUTFLOW****INSTALLATION**

The level base allows for fast and easy installation.

| Volume [L] | NG [L/s] | Code | Dimensions A x B x C [mm] | Pipe DN [mm] | Inspection opening [mm] |
|------------|----------|------------|------------------------------|-----------------|----------------------------|
| 100 | 0,25 | 7400778100 | 530 x 530 x 481 | 50 | Ø430 |
| 250 | 0,5 | 7400777880 | 600 x 600 x 951 | 110 | Ø430 |
| 500 | 1 | 7400777940 | 760 x 760 x 1161 | 110 | Ø430 |
| 1.000 | 2 | 7400778580 | 1520 x 760 x 1161 | 110 | 2x Ø430 |
| 2.000 | 4 | 7400075290 | 2250 x 750 x 1161 | 110 | 2x Ø430 |

OIL SEPARATORS



Water tanks

Waste water
treatment plants

Septic tanks

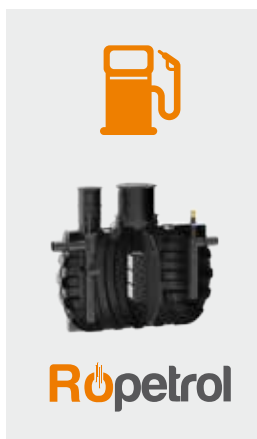
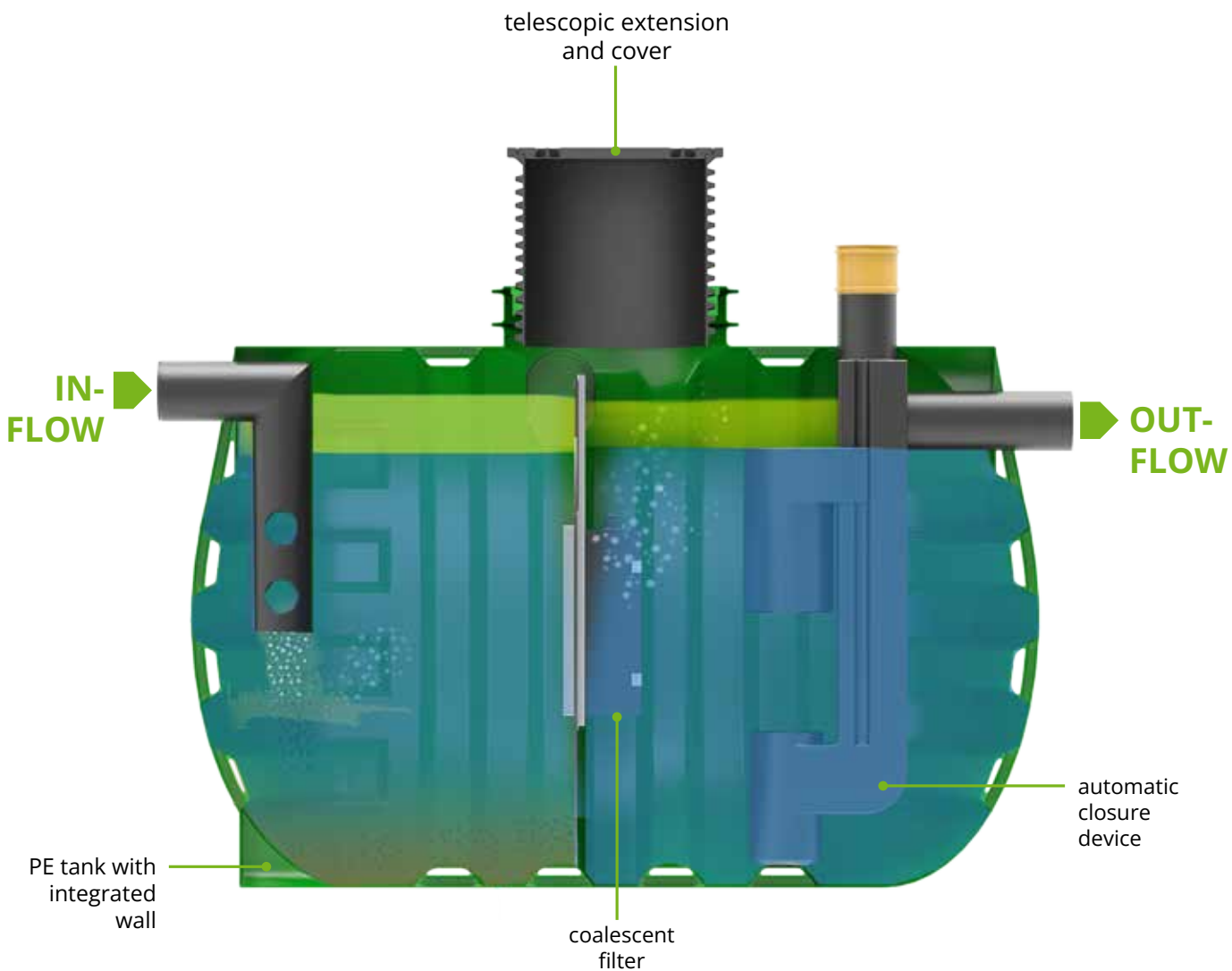
Grease separators

Oil separators

Shafts

Pumping stations

Rosep



- Water tanks
- Waste water treatment plants
- Septic tanks
- Grease separators
- Oil separators**
- Shafts
- Pumping stations

Light liquid separators are designed according to EN 858 and DIN 1999-10.

Application

Oil and coalescence separators are required where light liquids occur. This is usually at

- Petrol / Gas stations,
- Car washes,
- Vehicle workshops
- Car-parks



Determinate **the size**

$$N_s = (Q_r + f_x * Q_s) * f_d$$

NS - nominal volume in l/s

Qr - max. flow of rainwater in l/s

Qs - max. flow of wastewater in l/s

fx - retention factor, depending on the nature of release (Table I)

Fd - density factor for the suitable light fluid (Table I)

Separator classes

class I

Designed to achieve a concentration of less than 5mg/l of oil under standard test conditions and should be used when the separator is required to remove very small oil droplets. A coalescence filter insert is installed before the drain to improve the separating effect in the separator. When the water flows through, tiny oil drops combine to form large drops which then leave the coalescence material. With oil separators a special inlet system has a plug-flow effect in the separator. This slows the flow down and distributes it in a hydraulically effective way over the separator space. The heavy materials sink to the bottom and are separated out, the light materials rise to the top and are separated off there.

class II

Designed to achieve a concentration of less than 100mg/l oil under standard test conditions and are suitable for dealing with discharges where a lower quality requirement applies.

Bypass

Bypass separators fully treat all flows generated by rainfall rates of up to 6.5mm/hr. (99% of all rainfall events). These separators are used on parking area when it is considered an acceptable risk not to provide full treatment for high flows, for example where the risk of a large spillage and heavy rainfall occurring at the same time is small.

The following cleaning steps are performed in the mud separator:

- 1) Water contaminated with oil and mud flows to the tank.
- 2) The mud is deposited at the bottom of the tank. When the water reaches the second part of the tank, the mud has already been removed.
- 3) Oil separates from water in the second part of the tank. Larger oil drops then come to the water surface because of the low density. Smaller drops combine and increase in the filter and then come to the surface.

class I

Oil separators with installed coalescent filter are classified to the Class I, and do not exceed the hydrocarbon concentration of 5 mg/l.

At repair garages, gasoline stations, car-washing facilities, where oily and flammable liquid wastes are produced, separators shall be installed into which all oil-bearing, shall be discharged before emptying in the building drainage system or other point of disposal.

ROTO oil separator is equipped with coalescent filter, automatic closure devices and/or electronic warning system.

Coalescent filters are connected on the integrated wall and can be easily cleaned and replaced.



| Volume [L] | NS [L/s] | Surface | Code | Dimensions A x B x C [mm] | Cover [mm] |
|------------|----------|-----------------------|------------|---------------------------|-----------------|
| 2.200 L | 3 | 120 m ² | 7300075950 | 1840 x 1400 x 1600-1900 | Ø600 |
| 3.000 L | 6 | 240 m ² | 7300075970 | 2400 x 1400 x 1600-1900 | Ø600 |
| 3.500 L | 10 | 400 m ² | 7300072750 | 2080 x 1800 x 2050-2350 | Ø600 |
| 5.000 L | 15 | 600 m ² | 7300075990 | 2450 x 1800 x 2050-2350 | Ø600 |
| 6.000 L | 20 | 800 m ² | 7300075880 | 2820 x 1800 x 2050-2350 | Ø600 |
| 8.000 L | 30 | 1.200 m ² | 7300072730 | 2680 x 2300 x 2500-2880 | 1xØ600, 1xØ800 |
| 10.000 L | 40 | 1.600 m ² | 7300072780 | 3040 x 2300 x 2500-2880 | 1xØ600, 1xØ800 |
| 12.000 L | 50 | 2.000 m ² | 7300072760 | 3760 x 2300 x 2500-2880 | 1xØ600, 1xØ800 |
| 16.000 L | 65 | 2.600 m ² | 7300072000 | 4840 x 2300 x 2500-2880 | 1xØ600, 1xØ800 |
| 20.000 L | 80 | 3.200 m ² | 7300072890 | 4540 x 2450 x 2800-3100 | 1xØ600, 1xØ800 |
| 25.000 L | 100 | 4.000 m ² | 7300074210 | 5720 x 2450 x 2700-3000 | 2xØ600, 1xØ1000 |
| 30.000 L | 125 | 5.080 m ² | 7300072010 | 6550 x 2450 x 2700-3000 | 2xØ800, 1xØ1000 |
| 35.000 L | 150 | 6.100 m ² | 7300075920 | 7530 x 2450 x 2700-3000 | 2xØ800, 1xØ1000 |
| 40.000 L | 200 | 8.100 m ² | 7300075980 | 8510 x 2450 x 2700-3000 | 2xØ800, 1xØ1000 |
| 45.000 L | 250 | 10.100 m ² | 7300076000 | 9870 x 2450 x 2700-3000 | 2xØ800, 1xØ1000 |
| 50.000 L | 300 | 12.100 m ² | 7300072020 | 10850 x 2450 x 2700-3000 | 2xØ800, 1xØ1000 |

class II

RoSep class II are gravitation separators.

Are designed to achieve a concentration of less than 100mg/l oil under standard test conditions and are suitable for dealing with discharges where a lower quality requirement applies (for example where the effluent passes to the waste water treatment for municipality).

All materials used are highly durable and non-corrosive and all equipment used in the system is produced according to the highest quality standards.



| Volume [L] | NS [L/s] | Surface | Code | Dimensions A x B x C [mm] | Cover [mm] |
|------------|----------|----------------------|------------|---------------------------|----------------|
| 2.200 L | 3 | 120 m ² | 7300075900 | 1840 x 1400 x 1600-1900 | Ø600 |
| 3.000 L | 6 | 240 m ² | 7300075910 | 2400 x 1400 x 1600-1900 | Ø600 |
| 3.500 L | 10 | 400 m ² | 7300072880 | 2080 x 1800 x 2050-2350 | Ø600 |
| 5.000 L | 15 | 600 m ² | 7300075930 | 2450 x 1800 x 2050-2350 | Ø600 |
| 6.000 L | 20 | 800 m ² | 7300072710 | 2820 x 1800 x 2050-2350 | Ø600 |
| 8.000 L | 30 | 1.200 m ² | 7300072720 | 2680 x 2300 x 2500-2880 | 1xØ600, 1xØ400 |
| 10.000 L | 40 | 1.600 m ² | 7300072740 | 3040 x 2300 x 2500-2880 | 1xØ600, 1xØ400 |
| 12.000 L | 50 | 2.000 m ² | 7300072770 | 3760 x 2300 x 2500-2880 | 1xØ600, 1xØ400 |
| 16.000 L | 65 | 2.600 m ² | 7300072050 | 4840 x 2300 x 2500-2880 | 1xØ600, 1xØ400 |
| 20.000 L | 80 | 3.200 m ² | 7300072940 | 4540 x 2450 x 2800-3100 | 2xØ600 |
| 25.000 L | 100 | 4.000 m ² | 7300074220 | 5720 x 2450 x 2700-3000 | 2xØ600 |

Water tanks

 Waste water
treatment plants

Septic tanks

Grease separators

Oil separators

Shafts

Pumping stations

By-pass 10%

Bypass separators fully treat all flows generated by rainfall rates of up to 6.5mm/hr. (99% of all rainfall events).

These separators are used on parking area when it is considered an acceptable risk not to provide full treatment for high flows, for example where the risk of a large spillage and heavy rainfall occurring at the same time is small.



| Volume [L] | NS [L/s] | Surface | Code | Dimensions A x B x C [mm] | Cover [mm] | Pipes DN [mm] |
|------------|-----------|------------------------|------------|---------------------------|-----------------------|---------------|
| 2.200 L | 30/3 | 1.200 m ² | 7300068900 | 1840 x 1400 x 1600-1900 | Ø600 | 200 |
| 2.600 L | 50/5 | 2.400 m ² | 7300068910 | 2150 x 1400 x 1600-1900 | Ø600 | 250 |
| 3.000 L | 80/8 | 3.200 m ² | 7300068980 | 2400 x 1400 x 1600-1900 | Ø600 | 250 |
| 3.500 L | 100/10 | 4.000 m ² | 7300068920 | 2080 x 1800 x 2050-2350 | Ø600 | 315 |
| 5.000 L | 150/15 | 6.100 m ² | 7300068930 | 2450 x 1800 x 2050-2350 | Ø600 | 400 |
| 6.000 L | 200/20 | 8.100 m ² | 7300068940 | 2820 x 1800 x 2050-2350 | Ø600 | 400 |
| 8.000 L | 250/25 | 10.100 m ² | 7300068610 | 2680 x 2300 x 2500-2880 | Ø600, Ø800 | 400 |
| 10.000 L | 300/30 | 12.100 m ² | 7300068950 | 3040 x 2300 x 2500-2880 | Ø600, Ø800 | 500 |
| 12.000 L | 400/40 | 16.200 m ² | 7300068960 | 3760 x 2300 x 2500-2880 | Ø600, Ø800 | 500 |
| 16.000 L | 500/50 | 20.300 m ² | 7300068970 | 4840 x 2300 x 2500-2880 | Ø600, Ø800, Ø250 | 600 z. |
| 20.000 L | 650/65 | 25.400 m ² | 7300068560 | 4540 x 2450 x 2800-3100 | 2xØ800, Ø250 | 600 z. |
| 25.000 L | 800/80 | 28.500 m ² | 7300068570 | 5720 x 2450 x 2700-3000 | 2xØ600, Ø1000 | 600 z. |
| 30.000 L | 1000/100 | 40.600 m ² | 7300068580 | 6550 x 2450 x 2700-3000 | Ø800, Ø1000, Ø250 | 800 z. |
| 35.000 L | 1250/125 | 50.800 m ² | 7300068590 | 7530 x 2450 x 2700-3000 | 2xØ800, Ø1000, Ø250 | 800 z. |
| 40.000 L | 1500/150 | 61.000 m ² | 7300068600 | 8510 x 2450 x 2700-3000 | 2xØ800, Ø1000, Ø250 | 1000 z. |
| 45.000 L | 2000/200 | 81.300 m ² | 7300068620 | 9870 x 2450 x 2700-3000 | 2xØ800, Ø1000, Ø250 | 1000 z. |
| 50.000 L | 2500/250 | 101.600 m ² | 7300068630 | 10850 x 2450 x 2700-3000 | 2xØ800, 2xØ1000, Ø250 | 1000 z. |
| 65.000 L | 3000/1500 | 121.600 m ² | | 13460 x 2450 x 2700-3000 | 2xØ800, 2xØ1000, Ø250 | 1200 z. |

By-pass 20%

Bypass separators fully treat all flows generated by rainfall rates of up to 6.5mm/hr. (99% of all rainfall events).

These separators are used on parking area when it is considered an acceptable risk not to provide full treatment for high flows, for example where the risk of a large spillage and heavy rainfall occurring at the same time is small.



| Volume [L] | NS [L/s] | Surface | Code | Dimensions A x B x C [mm] | Cover [mm] | Pipes DN [mm] |
|------------|----------|-----------------------|------------|---------------------------|-----------------------|---------------|
| 2.200 L | 15/3 | 600 m ² | 7300068800 | 1840 x 1400 x 1600-1900 | Ø600 | 200 |
| 3.000 L | 30/6 | 1.200 m ² | 7300068810 | 2400 x 1400 x 1600-1900 | Ø600 | 200 |
| 3.500 L | 50/10 | 2.000 m ² | 7300068500 | 2080 x 1800 x 2050-2350 | Ø600 | 250 |
| 5.000 L | 80/16 | 3.000 m ² | 7300068820 | 2450 x 1800 x 2050-2350 | Ø600 | 315 |
| 6.000 L | 100/20 | 4.000 m ² | 7300068840 | 2820 x 1800 x 2050-2350 | Ø600 | 315 |
| 8.000 L | 150/30 | 6.100 m ² | 7300068850 | 2680 x 2300 x 2500-2880 | Ø600 | 400 |
| 10.000 L | 200/40 | 8.100 m ² | 7300068860 | 3040 x 2300 x 2500-2880 | Ø600, Ø800 | 400 |
| 12.000 L | 250/50 | 10.100 m ² | 7300068870 | 3760 x 2300 x 2500-2880 | Ø600, Ø800, Ø250 | 400 |
| 16.000 L | 325/65 | 13.200 m ² | 7300068830 | 4840 x 2300 x 2500-2880 | Ø600, Ø800, Ø250 | 400 |
| 20.000 L | 400/80 | 16.200 m ² | 7300068880 | 4540 x 2450 x 2800-3100 | 2xØ800, Ø250 | 500 |
| 25.000 L | 500/100 | 20.300 m ² | 7300068890 | 5720 x 2450 x 2700-3000 | 2xØ600, Ø1000 | 600 z. |
| 30.000 L | 625/125 | 25.400 m ² | 7300068510 | 6550 x 2450 x 2700-3000 | 2xØ800, Ø1000, Ø250 | 600 z. |
| 35.000 L | 700/150 | 28.500 m ² | 7300068520 | 7530 x 2450 x 2700-3000 | 2xØ800, Ø1000, Ø250 | 600 z. |
| 40.000 L | 1000/200 | 40.600 m ² | 7300068530 | 8510 x 2450 x 2700-3000 | 2xØ800, Ø1000, Ø250 | 800 z. |
| 45.000 L | 1250/250 | 50.800 m ² | 7300068540 | 9870 x 2450 x 2700-3000 | 2xØ800, Ø1000, Ø250 | 800 z. |
| 50.000 L | 1500/300 | 61.000 m ² | 7300068550 | 10850 x 2450 x 2700-3000 | 2xØ800, 2xØ1000, Ø250 | 1000 z. |
| 65.000 L | 2000/400 | 81.300 m ² | | 13460 x 2450 x 2700-3000 | 2xØ800, 2xØ1000, Ø250 | 1000 z. |

Water tanks

Waste water treatment plants

Septic tanks

Grease separators

Oil separators

Shafts

Pumping stations

Class I coalescing separators do not exceed the hydrocarbon concentration of 5 mg/l.

ROTO oil separator is equipped with coalescent filter, automatic closure devices (on the inflow) and/or electronic warning system.

Coalescent filters are connected on the wall and can be easily cleaned and replaced.

The tank is made from special conductive polyethylene.

Oil separator RoPetrol can be installed inside ex zones.



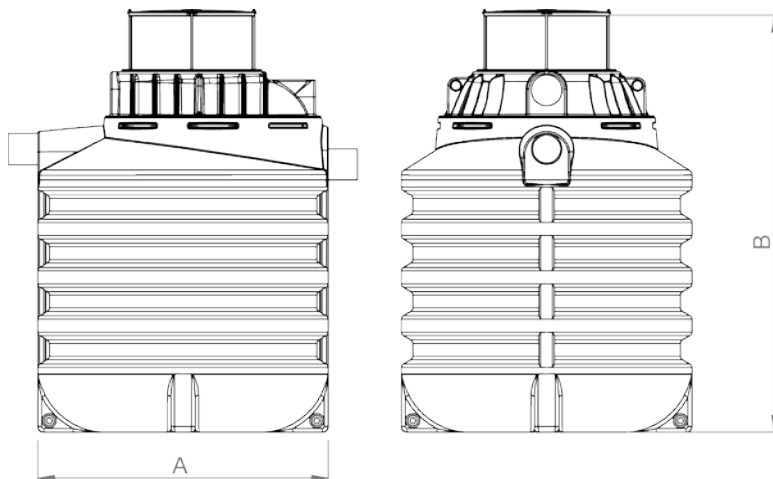
| Volume [L] | NS [L/s] | Code | Dimensions A x B x C [mm] | Cover [mm] | Pipes DN [mm] |
|------------|----------|------------|---------------------------|------------------|---------------|
| 5.000 | 10 | 7300072758 | 2660 x 1800 x 2600 | Ø250, Ø400, Ø600 | 200 |
| 6.000 | 15 | 7300075998 | 3030 x 1800 x 2600 | Ø250, Ø400, Ø600 | 200 |
| 8.000 | 20 | 7300075888 | 2870 x 2300 x 2850 | Ø250, Ø400, Ø600 | 250 |
| 10.000 | 30 | 7300072738 | 3330 x 2300 x 2850 | Ø250, Ø400, Ø600 | 250 |
| 12.000 | 40 | 7300072788 | 4360 x 2300 x 2850 | Ø250, Ø400, Ø600 | 315 |

All light liquid separators are supplied for underground installation. There are suitable sampling chambers and alarm equipment available in the range for all nominal sizes.

Leak-tightness up to ground level guaranteed. Low servicing costs thanks to easy-clean inside surface. Due big opening, the coalescent filter can be removed and cleaned easily.



| Volume [L] | NS [L/s] | Surface | Code | Dimensions A x B [mm] | Pipes DN [mm] |
|------------|----------|----------------------|------------|-----------------------|---------------|
| 1.200 L | 1,5 | 60 m ² | 7300775940 | Ø1300 x 1500 | 110 |
| 1.500 L | 3 | 120 m ² | 7300775950 | Ø1300 x 1750 | 110 |
| 1.700 L | 6 | 240 m ² | 7300775970 | Ø1300 x 2000 | 125 |
| 2.350 L | 10 | 400 m ² | 7300772750 | Ø1500 x 2150 | 160 |
| 2.700 L | 15 | 600 m ² | 7300775990 | Ø1500 x 2400 | 200 |
| 4.000 L | 20 | 800 m ² | 7300775880 | Ø1800 x 2350 | 200 |
| 6.000 L | 30 | 1.200 m ² | 7300772730 | Ø2300 x 2350 | 250 |
| 7.500 L | 40 | 1.600 m ² | 7300772780 | Ø2300 x 2700 | 315 |
| 10.000 L | 50 | 2.000 m ² | 7300772760 | Ø2300 x 3400 | 315 |



Water tanks

Waste water treatment plants

Septic tanks

Grease separators

Oil separators

Shafts

Pumping stations

Bypass 10%

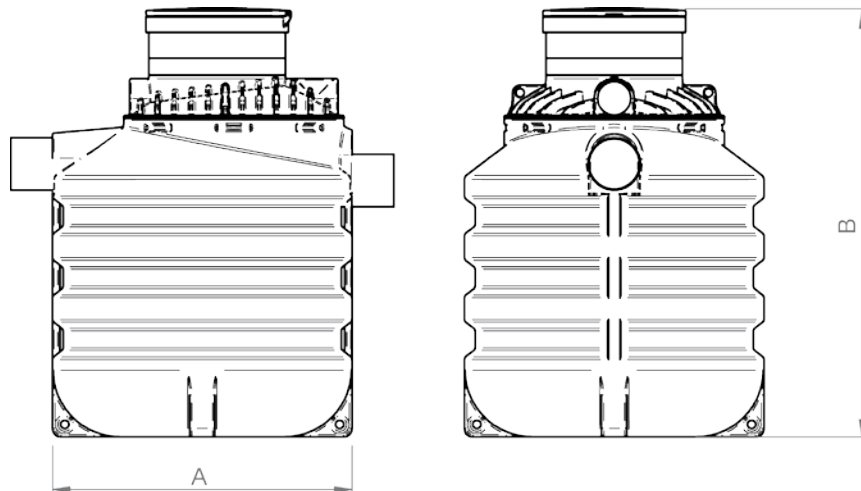
These separators are used when it is considered a risk not to provide full treatment for high flows, for example like large spillage and heavy rainfall occurring at the same time.

Robust polyethylene construction for long life, compact vertical design for ease of handling, installation and maintenance.

Contractor friendly bypass connections for different pipe diameters. Oil residue and sludge are easily and quickly removed.



| Volume [L] | NS [L/s] | Surface | Code | Dimensions A x B [mm] | Pipes DN [mm] |
|------------|----------|----------------------|------------|-----------------------|---------------|
| 1.500 L | 15/1,5 | 600 m ² | 7300768820 | Ø1300x1750 | 200 |
| 1.700 L | 30/3 | 1.200 m ² | 7300768900 | Ø1300x2000 | 200 |
| 2.700 L | 50/5 | 2.000 m ² | 7300768970 | Ø1500x2400 | 250 |
| 3.200 L | 80/8 | 3.200 m ² | 7300768980 | Ø1800x2000 | 315 |
| 4.000 L | 100/10 | 4.000 m ² | 7300768920 | Ø1800x2350 | 315 |
| 6.000 L | 150/15 | 6.100 m ² | 7300768930 | Ø2300x2350 | 400 |
| 7.500 L | 200/20 | 8.100 m ² | 7300768940 | Ø2300x2700 | 400 |



Bypass 20%

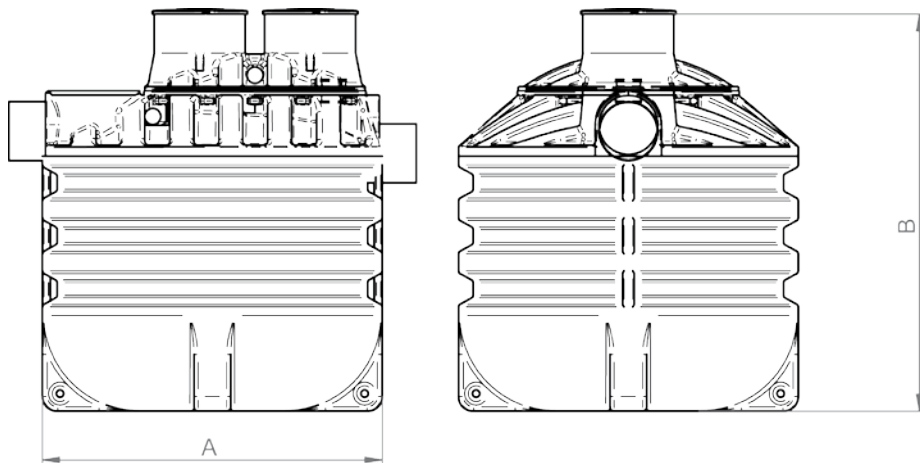
These separators are used when it is considered a risk not to provide full treatment for high flows, for example like large spillage and heavy rainfall occurring at the same time.

Robust polyethylene construction for long life, compact vertical design for ease of handling, installation and maintenance.

Contractor friendly bypass connections for different pipe diameters. Oil residue and sludge are easily and quickly removed.



| Volume [L] | NS [L/s] | Surface | Code | Dimensions A x B [mm] | Pipes DN [mm] |
|------------|----------|----------------------|------------|-----------------------|---------------|
| 1.500 L | 15/3 | 600 m ² | 7300768800 | Ø1300x1750 | 200 |
| 1.700 L | 30/6 | 1.200 m ² | 7300768810 | Ø1300x2000 | 200 |
| 2.350 L | 40/8 | 1.600 m ² | 7300768960 | Ø1500x2150 | 250 |
| 2.700 L | 50/10 | 2.000 m ² | 7300768500 | Ø1500x2400 | 250 |
| 4.000 L | 75/15 | 3.000 m ² | 7300768880 | Ø1800x2350 | 315 |
| 6.000 L | 100/20 | 4.000 m ² | 7300768840 | Ø2300x2350 | 315 |
| 7.500 L | 150/30 | 6.100 m ² | 7300768520 | Ø2300x2700 | 400 |
| 8.700 L | 200/40 | 8.100 m ² | 7300768530 | Ø2300x3000 | 400 |



Water tanks

Waste water treatment plants

Septic tanks

Grease separators

Oil separators

Shafts

Pumping stations

Purpose of use

Manhole shafts are intended for underground installation on sewer lines as a junction, dividing and revision openings during the maintenance of the sewer manhole.

ROTO shafts are suitable for installation on walking and driving surfaces such as yards, sidewalks, parking lots and roads. The method of installation and construction of the shaft allows access to the shaft to be easy and safe.

Construction and technology

Sewer shafts are made of polyethylene [PE] with the technology of rotomoulding and are available in three different diameters DN 600, DN 800 and DN 1000 of different heights up to 5 m. They are distinguished by a long life service, watertightness and resistant to various negative influences. Due to the light weight shafts are easy to transport and for the manipulation at the construction site.

Various shaft bases allows the use of different connections with the pipes of all types and manufacturers.

Shafts are made in accordance with the standard SIST EN 13598-2:2009, which determines the appropriate resistance, water tightness and load-bearing capacity.

Advantages

Installation of the ROTO manhole shafts is simple and fast, due to the technologically advanced and high developed shaft shapes.

Shafts can be made according to the requirements of the project and the buyer.

Certificates and quality reports

ROTO shafts have obtained the following certificates and report:

- Anti-buoyancy certificate (EBS d.o.o.)
- Circumferential stiffness (ZAG Ljubljana; Slovenia)
- Conical upper body resistance (ZAG Ljubljana; Slovenia)
- Slovenian technical consensus – STS (ZAG Ljubljana; Slovenia)



Different diameters of shafts



DN 600



DN 800



DN 1000

SHAFTS



Water tanks

Waste water treatment plants

Septic tanks

Grease separators

Oil separators

Shafts

Pumping stations



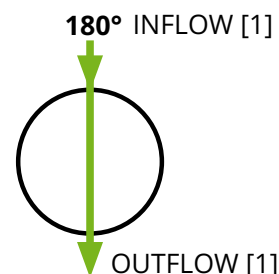
Manhole shafts are intended for underground installation on sewer lines as a junction, dividing and revision openings during the maintenance of the sewer manhole.

ROTO shafts are suitable for installation on walking and driving surfaces such as yards, sidewalks, parking lots and roads. The method of installation and construction of the shaft allows access to the shaft to be easy and safe.



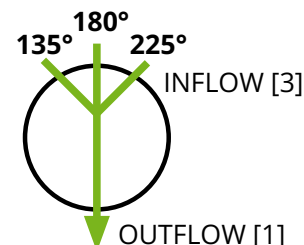
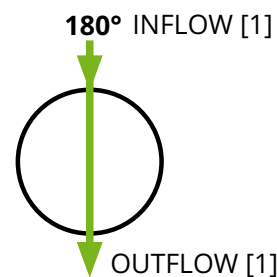
DN400 1/1

| Height [H] | Connection pipe | Code |
|------------|-----------------|------------|
| 1000 mm | Ø110/125/160 | 7600059100 |
| 1500 mm | Ø110/125/160 | 7600059110 |



DN600 1/1, 3/1

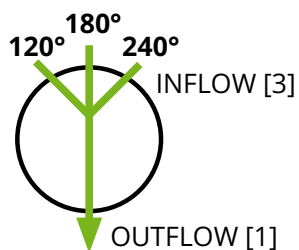
| Height [H] | Connection pipe | Code 1/1 | Code 3/1 |
|------------|-----------------|------------|------------|
| 1000 mm | Ø160/200 | 7600070010 | 7600069680 |
| 1250 mm | Ø160/200 | 7600070020 | 7600069650 |
| 1500 mm | Ø160/200 | 7600070030 | 7600069660 |
| 1750 mm | Ø160/200 | 7600070040 | 7600069670 |
| 2000 mm | Ø160/200 | 7600070050 | 7600069810 |
| 2250 mm | Ø160/200 | 7600070060 | 7600069820 |
| 2500 mm | Ø160/200 | 7600070070 | 7600069830 |
| 2750 mm | Ø160/200 | 7600070080 | 7600069840 |
| 3000 mm | Ø160/200 | 7600070090 | 7600069850 |



DN600 3/1

| Height [H] | Connection pipe | Code | Connection pipe | Code |
|------------|-----------------|------------|------------------|------------|
| 1000 mm | Ø160/200/250 | 7600057000 | Ø160/200/250/315 | 7600805010 |
| 1250 mm | Ø160/200/250 | 7600057030 | Ø160/200/250/315 | 7600805020 |
| 1500 mm | Ø160/200/250 | 7600057010 | Ø160/200/250/315 | 7600805030 |
| 1750 mm | Ø160/200/250 | 7600057020 | Ø160/200/250/315 | 7600805040 |
| 2000 mm | Ø160/200/250 | 7600059220 | Ø160/200/250/315 | 7600805050 |
| 2250 mm | Ø160/200/250 | 7600059230 | Ø160/200/250/315 | 7600805060 |
| 2500 mm | Ø160/200/250 | 7600059240 | Ø160/200/250/315 | 7600805070 |
| 2750 mm | Ø160/200/250 | 7600059250 | Ø160/200/250/315 | 7600805080 |
| 3000 mm | Ø160/200/250 | 7600059260 | Ø160/200/250/315 | 7600805090 |



DN800 **3/1**

| Height [H] | Connection pipe | Code |
|------------|-----------------|------------|
| 1000 mm | Ø200/250/315 | 760006951 |
| 1250 mm | Ø200/250/315 | 760006952 |
| 1500 mm | Ø200/250/315 | 760006953 |
| 1750 mm | Ø200/250/315 | 760006954 |
| 2000 mm | Ø200/250/315 | 760006955 |
| 2250 mm | Ø200/250/315 | 760006956 |
| 2500 mm | Ø200/250/315 | 760006957 |
| 2750 mm | Ø200/250/315 | 760006969 |
| 3000 mm | Ø200/250/315 | 760006970 |
| 3250 mm | Ø200/250/315 | 760006986 |
| 3500 mm | Ø200/250/315 | 760006971 |
| 3750 mm | Ø200/250/315 | 7600069870 |
| 4000 mm | Ø200/250/315 | 7600069720 |
| 4250 mm | Ø200/250/315 | 7600069880 |
| 4500 mm | Ø200/250/315 | 7600069890 |
| 4750 mm | Ø200/250/315 | 7600069900 |
| 5000 mm | Ø200/250/315 | 7600069910 |
| 5250 mm | Ø200/250/315 | 7600069930 |
| 5500 mm | Ø200/250/315 | 7600069940 |
| 5750 mm | Ø200/250/315 | 7600069950 |
| 6000 mm | Ø200/250/315 | 7600069960 |



Water tanks

Waste water
treatment plants

Septic tanks

Grease separators

Oil separators

Shafts

Pumping stations

Water tanks

Waste water treatment plants

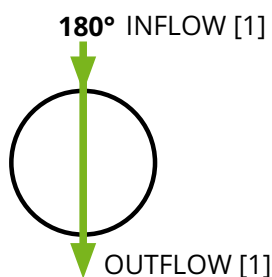
Septic tanks

Grease separators

Oil separators

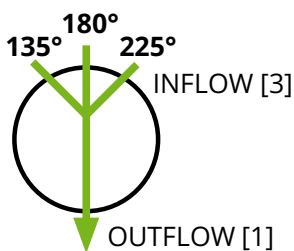
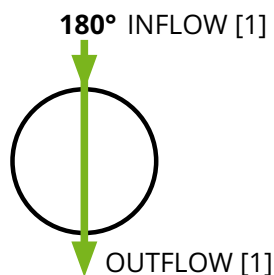
Shafts

Pumping stations



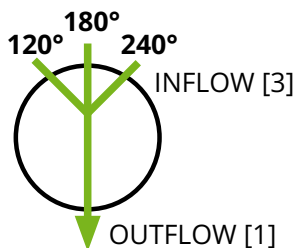
DN800 1/1

| Height [H] | Connection pipe | Code |
|------------|-----------------|------------|
| 1250 mm | Ø500/630 | 7600057040 |
| 1500 mm | Ø500/630 | 7600057050 |
| 1750 mm | Ø500/630 | 7600057060 |
| 2000 mm | Ø500/630 | 7600057070 |
| 2250 mm | Ø500/630 | 7600057080 |
| 2500 mm | Ø500/630 | 7600057090 |
| 2750 mm | Ø500/630 | 7600057100 |
| 3000 mm | Ø500/630 | 7600057110 |
| 3250 mm | Ø500/630 | 7600057120 |
| 3500 mm | Ø500/630 | 7600057130 |
| 3750 mm | Ø500/630 | 7600057140 |
| 4000 mm | Ø500/630 | 7600057150 |
| 4250 mm | Ø500/630 | 7600057160 |
| 4500 mm | Ø500/630 | 7600057170 |
| 4750 mm | Ø500/630 | 7600057180 |
| 5000 mm | Ø500/630 | 7600057190 |
| 5250 mm | Ø500/630 | 7600057200 |
| 5500 mm | Ø500/630 | 7600057210 |
| 5750 mm | Ø500/630 | 7600057220 |
| 6000 mm | Ø500/630 | 7600057230 |



DN1000 1/1, 3/1

| Height [H] | Connection pipe | Code |
|------------|-----------------|-------|
| 1250 mm | Ø160/200 | 7093 |
| 1500 mm | Ø160/200 | 7094 |
| 1750 mm | Ø160/200 | 7097 |
| 2000 mm | Ø160/200 | 7098 |
| 2250 mm | Ø160/200 | 50870 |
| 2500 mm | Ø160/200 | 50871 |
| 2750 mm | Ø160/200 | 50872 |
| 3000 mm | Ø160/200 | 50873 |

DN1000 **3/1**

| Height [H] | Connection pipe | Code |
|------------|-----------------|------------|
| 1250 mm | Ø250/315/400 | 760002100 |
| 1500 mm | Ø250/315/400 | 760002101 |
| 1750 mm | Ø250/315/400 | 760002102 |
| 2000 mm | Ø250/315/400 | 760002103 |
| 2250 mm | Ø250/315/400 | 760002104 |
| 2500 mm | Ø250/315/400 | 760002105 |
| 2750 mm | Ø250/315/400 | 760002106 |
| 3000 mm | Ø250/315/400 | 760002107 |
| 3250 mm | Ø250/315/400 | 760002108 |
| 3500 mm | Ø250/315/400 | 760002109 |
| 3750 mm | Ø250/315/400 | 7600021100 |
| 4000 mm | Ø250/315/400 | 7600021110 |
| 4250 mm | Ø250/315/400 | 7600021120 |
| 4500 mm | Ø250/315/400 | 7600021130 |
| 4750 mm | Ø250/315/400 | 7600021140 |
| 5000 mm | Ø250/315/400 | 7600021150 |
| 5250 mm | Ø250/315/400 | 7600021160 |
| 5500 mm | Ø250/315/400 | 7600021170 |
| 5750 mm | Ø250/315/400 | 7600021180 |
| 6000 mm | Ø250/315/400 | 7600021190 |



Water tanks

Waste water
treatment plants

Septic tanks

Grease separators

Oil separators

Shafts

Pumping stations

Water tanks

Waste water treatment plants

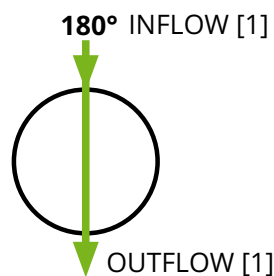
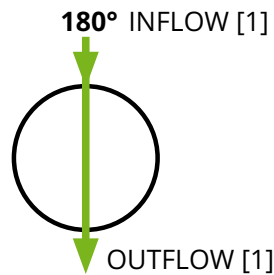
Septic tanks

Grease separators

Oil separators

Shafts

Pumping stations



DN1000 1/1

| Height [H] | Connection pipe | Code |
|------------|-----------------|------------|
| 1250 mm | Ø500/600 | 7600058410 |
| 1500 mm | Ø500/600 | 7600058230 |
| 1750 mm | Ø500/600 | 7600058240 |
| 2000 mm | Ø500/600 | 7600058250 |
| 2250 mm | Ø500/600 | 7600058260 |
| 2500 mm | Ø500/600 | 7600058270 |
| 2750 mm | Ø500/600 | 7600058280 |
| 3000 mm | Ø500/600 | 7600058290 |
| 3250 mm | Ø500/600 | 7600058300 |
| 3500 mm | Ø500/600 | 7600058310 |
| 3750 mm | Ø500/600 | 7600058320 |
| 4000 mm | Ø500/600 | 7600058330 |
| 4250 mm | Ø500/600 | 7600058340 |
| 4500 mm | Ø500/600 | 7600058350 |
| 4750 mm | Ø500/600 | 7600058360 |
| 5000 mm | Ø500/600 | 7600058370 |
| 5250 mm | Ø500/600 | 7600058420 |
| 5500 mm | Ø500/600 | 7600058430 |
| 5750 mm | Ø500/600 | 7600058440 |
| 6000 mm | Ø500/600 | 7600058450 |

DN1000 1/1

| Height [H] | Connection pipe | Code |
|------------|-----------------|------------|
| 2000 mm | Ø800/1000 | 7600058120 |
| 2250 mm | Ø800/1000 | 7600058130 |
| 2500 mm | Ø800/1000 | 7600058140 |
| 2750 mm | Ø800/1000 | 7600058090 |
| 3000 mm | Ø800/1000 | 7600058160 |
| 3250 mm | Ø800/1000 | 7600058170 |
| 3500 mm | Ø800/1000 | 7600058180 |
| 3750 mm | Ø800/1000 | 7600058190 |
| 4000 mm | Ø800/1000 | 7600058100 |
| 4250 mm | Ø800/1000 | 7600056000 |
| 4500 mm | Ø800/1000 | 7600056010 |
| 4750 mm | Ø800/1000 | 7600056020 |
| 5000 mm | Ø800/1000 | 7600056030 |
| 5250 mm | Ø800/1000 | 7600056040 |
| 5500 mm | Ø800/1000 | 7600056050 |
| 5750 mm | Ø800/1000 | 7600056060 |
| 6000 mm | Ø800/1000 | 7600056070 |





DN800 3/1

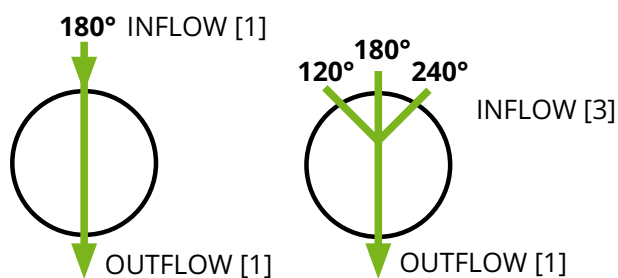
| Shaft height [H] | Connection pipe | Code |
|------------------|------------------|------|
| 1000 mm | Ø200/250/315/400 | 5737 |
| 1250 mm | Ø200/250/315/400 | 5738 |
| 1500 mm | Ø200/250/315/400 | 5181 |
| 1750 mm | Ø200/250/315/400 | 5182 |
| 2000 mm | Ø200/250/315/400 | 5183 |
| 2250 mm | Ø200/250/315/400 | 5184 |
| 2500 mm | Ø200/250/315/400 | 5185 |
| 2750 mm | Ø200/250/315/400 | 5186 |
| 3000 mm | Ø200/250/315/400 | 5187 |
| 3250 mm | Ø200/250/315/400 | 5188 |
| 3500 mm | Ø200/250/315/400 | 5189 |
| 3750 mm | Ø200/250/315/400 | 5190 |
| 4000 mm | Ø200/250/315/400 | 5191 |
| 4250 mm | Ø200/250/315/400 | 5192 |
| 4500 mm | Ø200/250/315/400 | 5193 |
| 4750 mm | Ø200/250/315/400 | 5194 |
| 5000 mm | Ø200/250/315/400 | 5195 |
| 5250 mm | Ø200/250/315/400 | 5196 |
| 5500 mm | Ø200/250/315/400 | 5197 |
| 5750 mm | Ø200/250/315/400 | 5198 |
| 6000 mm | Ø200/250/315/400 | 5199 |



DN1000 1/1, 3/1

| Shaft height [H] | Connection pipe | Code 1/1 | Code 3/1 |
|------------------|------------------|------------|------------|
| 1000 mm | Ø200/250/315/400 | 7600051000 | 7600057390 |
| 1250 mm | Ø200/250/315/400 | 7600051010 | 7600057240 |
| 1500 mm | Ø200/250/315/400 | 7600051020 | 7600057250 |
| 1750 mm | Ø200/250/315/400 | 7600051030 | 7600057260 |
| 2000 mm | Ø200/250/315/400 | 7600051040 | 7600057270 |
| 2250 mm | Ø200/250/315/400 | 7600051050 | 7600057280 |
| 2500 mm | Ø200/250/315/400 | 7600051060 | 7600057290 |
| 2750 mm | Ø200/250/315/400 | 7600051070 | 7600057300 |
| 3000 mm | Ø200/250/315/400 | 7600051080 | 7600057310 |
| 3250 mm | Ø200/250/315/400 | 7600051090 | 7600057320 |
| 3500 mm | Ø200/250/315/400 | 7600051100 | 7600057330 |
| 3750 mm | Ø200/250/315/400 | 7600051110 | 7600057340 |
| 4000 mm | Ø200/250/315/400 | 7600051120 | 7600057350 |
| 4250 mm | Ø200/250/315/400 | 7600051130 | 7600057360 |
| 4500 mm | Ø200/250/315/400 | 7600051140 | 7600057400 |
| 4750 mm | Ø200/250/315/400 | 7600051150 | 7600057410 |
| 5000 mm | Ø200/250/315/400 | 7600051160 | 7600057420 |
| 5250 mm | Ø200/250/315/400 | 7600051170 | 7600057430 |
| 5500 mm | Ø200/250/315/400 | 7600051180 | 7600057440 |
| 5750 mm | Ø200/250/315/400 | 7600051190 | 7600057450 |
| 6000 mm | Ø200/250/315/400 | 7600051200 | 7600057460 |

Shaft body option:



rotomoulded PE body



corrugated pipe body



Round bottomed shafts are used for the purpose of calming meteor and waste water on steep terrains. They are designed and constructed in such a way that water tangential flows into the body of the shaft and rounds along the round bottom of the shaft all the way to the outflow pipe located at the bottom. Shafts are available in two different diameters DN800 and DN1000 and in different heights up to 5 m. With the appropriate installation and solid lid covers shaft can be installed under the traffic load.

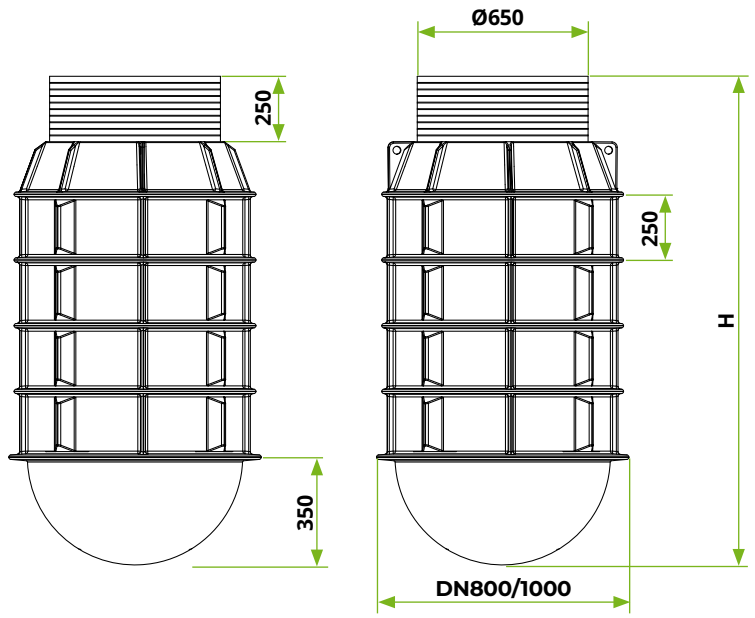
DN800

| Shaft height [H] | Code |
|------------------|------------|
| 850 mm | 7600058500 |
| 1100 mm | 7600058060 |
| 1350 mm | 7600058070 |
| 1600 mm | 7600058510 |
| 1850 mm | 7600058520 |
| 2100 mm | 7600058530 |
| 2350 mm | 7600058050 |
| 2600 mm | 7600058020 |



DN1000

| Shaft height [H] | Code |
|------------------|------------|
| 900 mm | 7600059130 |
| 1250 mm | 7600059140 |
| 1500 mm | 7600059150 |
| 1750 mm | 7600059160 |
| 2000 mm | 7600059170 |
| 2250 mm | 7600059180 |
| 2500 mm | 7600059190 |
| 2750 mm | 7600059200 |
| 3000 mm | 7600059210 |



Connection options:



PE connector and PVC pipe connector

corrugated pipe connection

DN400

| Height [H] | Code |
|------------|------------|
| 800 mm | 7600076480 |
| 1000 mm | 7600066370 |
| 1300 mm | 7600076490 |
| 1500 mm | 7600066350 |



DN800

| Height [H] | Code |
|------------|------------|
| 1000 mm | 7600059030 |
| 1250 mm | 7600059040 |
| 1500 mm | 7600059050 |
| 1750 mm | 7600059060 |
| 2000 mm | 7600059070 |
| 2250 mm | 7600059080 |
| 2500 mm | 7600059090 |



DN500

| Height [H] | Code |
|------------|------------|
| 500 mm | 7600059510 |
| 1000 mm | 7600059520 |
| 1250 mm | 7600059530 |
| 1500 mm | 7600059540 |
| 1750 mm | 7600059550 |
| 2000 mm | 7600059560 |



DN1000

| Height [H] | Code |
|------------|------------|
| 1000 mm | 7600059270 |
| 1250 mm | 7600059280 |
| 1500 mm | 7600059290 |
| 1750 mm | 7600059760 |
| 2000 mm | 7600059770 |
| 2250 mm | 7600059300 |
| 2500 mm | 7600059310 |
| 2750 mm | 7600059320 |
| 3000 mm | 7600059330 |



DN600

| Height [H] | Code |
|------------|------------|
| 1000 mm | 7600074430 |
| 1250 mm | 7600059120 |
| 1500 mm | 7600074420 |
| 1750 mm | 7600074410 |
| 2000 mm | 7600074400 |



PE cover options:



DN400
PE cover



DN600
adapter with cover

Water tanks

Waste water
treatment plants

Septic tanks

Grease separators

Oil separators

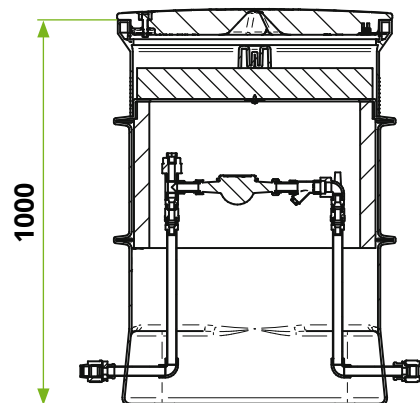
Shafts

Pumping stations



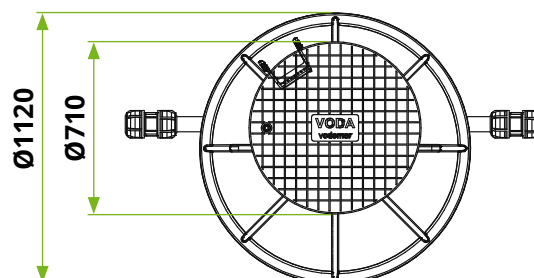
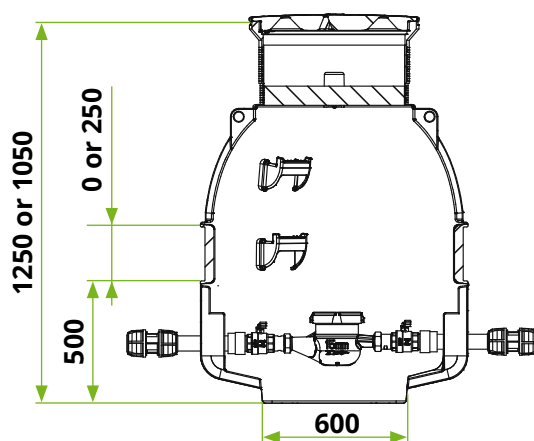
TERMO DN600

Water meter shaft of diameter DN600 is an ideal choice for individual houses or smaller water consumers. Shafts are available as equipped with necessary components or empty. As standard, the shafts contain a thermal insulation jacket around the inner perimeter and a thermal insulated cover.



TERMO DN1000

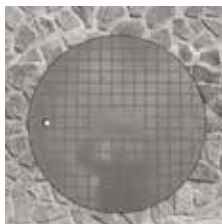
The water meter thermal shaft DN1000 is suitable for the installation of a larger number of water meters – with the possibility up to 4 water meters. It is available as equipped or empty.



Cover options:



PE GREEN COVER
for lawns
[code: 52069]



PE concrete gray
for paved surfaces
[code: 52069]

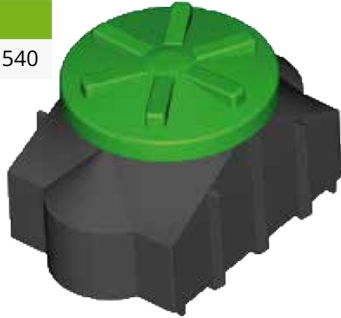


Solid lid cover black
A015 for asphalted
surfaces
[code: 1280315]

Shafts are made of environmentally friendly polyethylene, which is suitable for fecal and clean water. Polyethylene cable shaft is used for the construction of a cable system. Its advantages include high tensile hardness. Due to their light weight, the shafts are easy to transport and install. It is simple to drill a hole in the plastic wall and install rubber seals and pipes Φ 50, Φ 100, Φ 125.

SM1 with cover

| Code | Dim. (mm) |
|------------|------------------|
| 7600074330 | 1020 x 640 x 540 |



PKJ DN800

| Code | Dim. (mm) |
|------------|------------------|
| 7600073260 | Φ 920 x 950 |



SM2

| Code | Dim. (mm) |
|------------|------------|
| 7600074340 | 1070 x 700 |



PKJ DN1000

| Code | Dim. (mm) |
|------------|-------------------|
| 7600075300 | Φ 1110 x 920 |



PKJ DN600

| Code | Dim. (mm) |
|------------|------------------|
| 7600074830 | Φ 730 x 830 |



MPKJ

| Code | Dim. (mm) |
|------------|-----------------|
| 7600073280 | 550 x 420 x 310 |



Water tanks

Waste water
treatment plants

Septic tanks

Grease separators

Oil separators

Shafts

Pumping stations

Water tanks



Waste water treatment plants



Septic tanks

Grease separators



Oil separators

Shafts



PUMPING STATIONS



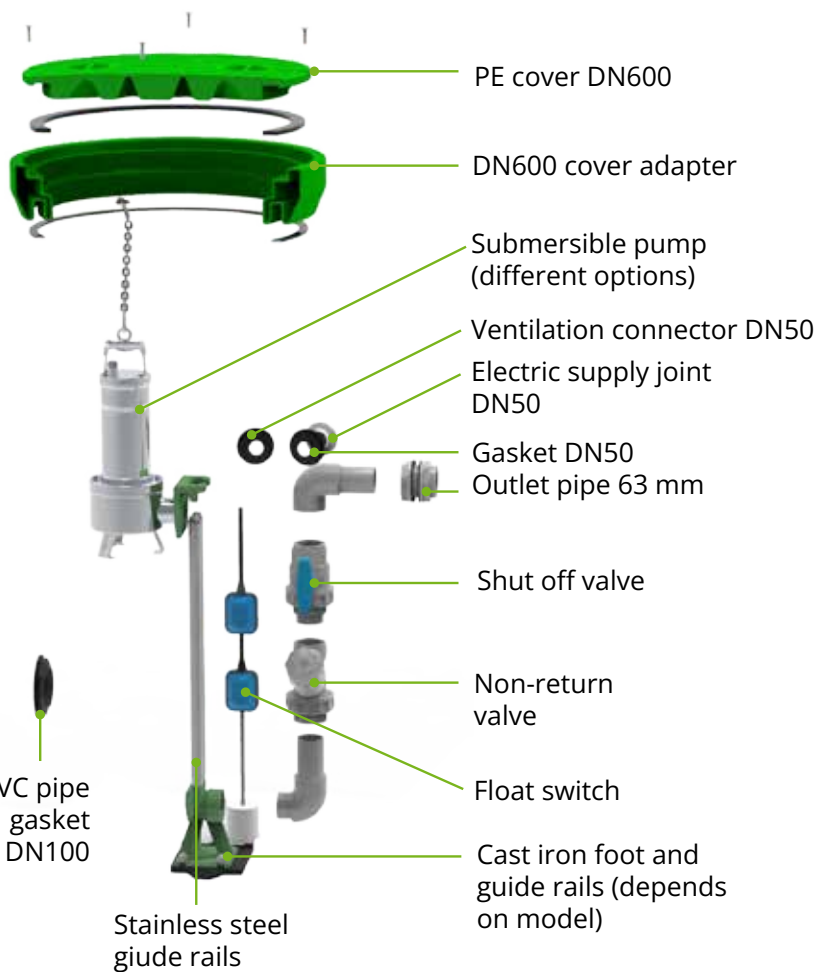
- Water tanks
- Waste water treatment plants
- Septic tanks
- Grease separators
- Oil separators
- Shafts
- Pumping stations**



RoPump



cabinet for control panel



- Water tanks
- Waste water treatment plants
- Septic tanks
- Grease separators
- Oil separators
- Shafts
- Pumping stations

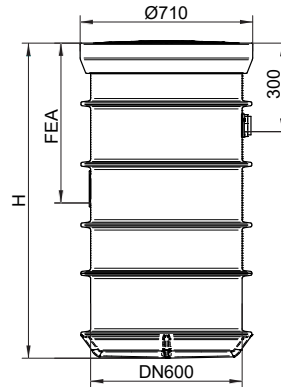
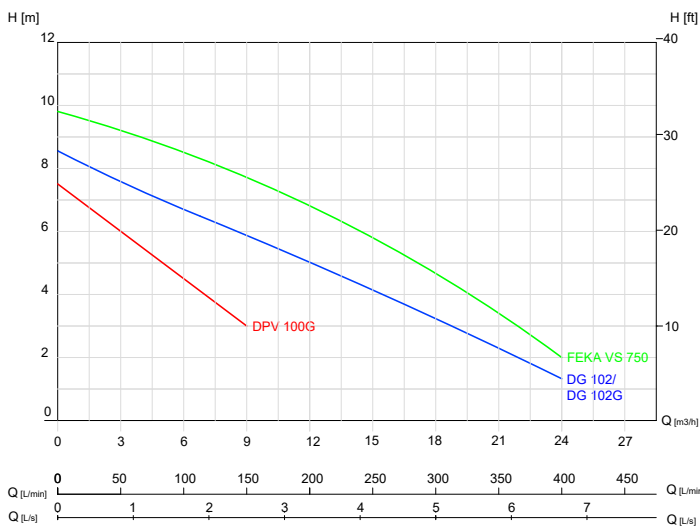
individual use DN600 with one pump

Advantages of ROTO pumping stations

- + Reinforced PE shaft, resistant to deformations and negative impacts
- + Adjustable cover for fast and simple adjustment to the terrain
- + Pre-factory assembled pumping stations
- + Large selection of different submersible pumps
- + Up to 50 mm diameter of solid passage in pump
- + Optional stainless steel catching basket
- + Different options of submersible pumps



EN 12050- 2



PE SHAFT DN 600 with mounted cast iron foot and stainless steel guide rails for pump (option)



Pump **DG102/ DG102G**



Pump **FEKA VS 750**



Pump **DPV 100G**

| Dimensions | Code | FEA [mm] | Pump selection | Required voltage | Pump power | Free passage [mm] | Output pipe diameter [mm] |
|-----------------|------------|----------|----------------------------|------------------|------------------|-------------------|---------------------------|
| D600 × H1000 mm | 7700001041 | 400 | Pentax DG102G | 220 - 240V | 1,2 kW / 1,61 HP | 50 | 63 |
| | 7700001031 | | Pentax DG102 | 220 - 240V | 1,2 kW / 1,61 HP | 50 | 63 |
| | 7700001051 | | DAB FEKA VS 750 with rails | 220 - 240V | 0,75 kW / 1 HP | 50 | 63 |
| D600 × H1200 mm | 7700001070 | 600 | Pentax DG102G | 220 - 240V | 1,2 kW / 1,61 HP | 50 | 63 |
| | 7700001071 | | Pentax DG102 | 220 - 240V | 1,2 kW / 1,61 HP | 50 | 63 |
| | 7700001052 | | DAB FEKA VS 750 with rails | 220 - 240V | 0,75 kW / 1 HP | 50 | 63 |
| D600 × H1500 mm | 7700001010 | 900 | Pentax DG102G | 220 - 240V | 1,2 kW / 1,61 HP | 50 | 63 |
| | 7700001011 | | Pentax DG102 | 220 - 240V | 1,2 kW / 1,61 HP | 50 | 63 |
| | 7700001053 | | DAB FEKA VS 750 with rails | 220 - 240V | 0,75 kW / 1 HP | 50 | 63 |
| | 7700001021 | | Pentax DPV 100G | 220 - 240V | 0,75 kW / 1 HP | 15 | 32 |
| D600 × H1800 mm | 7700001080 | 1200 | Pentax DG102G | 220 - 240V | 1,2 kW / 1,61 HP | 50 | 63 |
| | 7700001081 | | Pentax DG102 | 220 - 240V | 1,2 kW / 1,61 HP | 50 | 63 |
| | 7700001054 | | DAB FEKA VS 750 with rails | 220 - 240V | 0,75 kW / 1 HP | 50 | 63 |
| | 7700001022 | | Pentax DPV 100G | 220 - 240V | 0,75 kW / 1 HP | 15 | 32 |

Water tanks

Waste water treatment plants

Septic tanks

Grease separators

Oil separators

Shafts

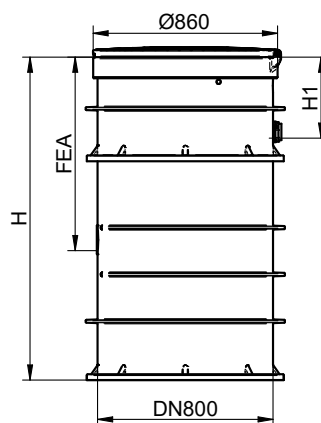
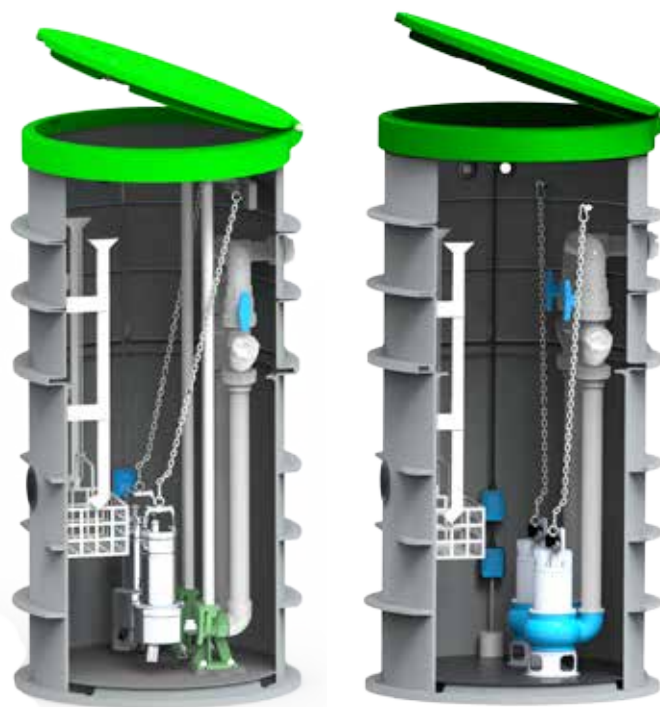
Pumping stations

individual use DN800 with two pumps

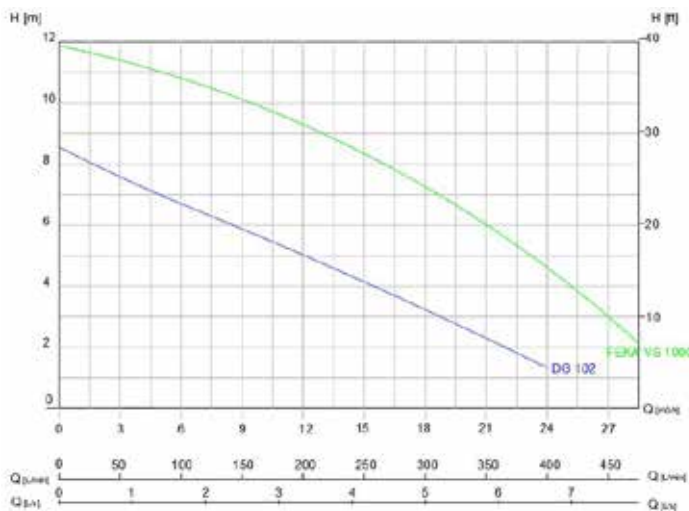
Advantages of ROTO pumping stations

- + Reinforced PE shaft, resistant to deformations and negative impacts
- + Adjustable cover for fast and simple adjustment to the terrain
- + Easy access for maintenance and work inside the shaft
- + Pre-factory assembled pumping stations
- + Large selection of different submersible pumps
- + up to 50 mm diameter of solid passage in pump
- + Optional stainless steel catching basket
- + Different options of submersible pumps

EN 12050- 2



PE SHAFT DN 800 with mounted cast iron foot and stainless steel guide rails for pump (option)



Pump **DG102/ DG102G**



Pump **FEKA VS 1000**

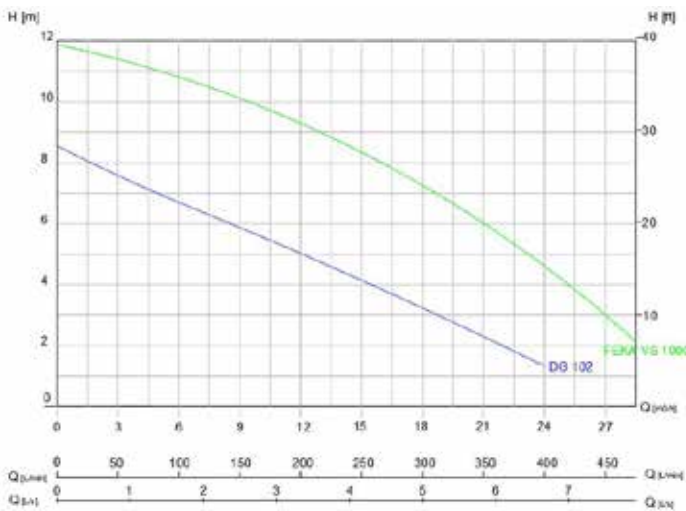
| Dimensions | Code | FEA [mm] | Pump selection | Required voltage | Pump power | Free passage [mm] | Output pipe diameter [mm] |
|-----------------|------------|----------|-----------------------------|------------------|------------------|-------------------|---------------------------|
| D800 × H1000 mm | 7700002011 | 400 | Pentax DG102 | 220 - 240V | 1,2 kW / 1,61 HP | 50 | 63 |
| | 7700002051 | | DAB FEKA VS 1000 with rails | 220 - 240V | 1 kW / 1,34 HP | 50 | 63 |
| D800 × H1200 mm | 7700002055 | 600 | Pentax DG102 | 220 - 240V | 1,2 kW / 1,61 HP | 50 | 63 |
| | 7700002052 | | DAB FEKA VS 1000 with rails | 220 - 240V | 1 kW / 1,34 HP | 50 | 63 |
| D800 × H1500 mm | 7700002033 | 900 | Pentax DG102 | 220 - 240V | 1,2 kW / 1,61 HP | 50 | 63 |
| | 7700002053 | | DAB FEKA VS 1000 with rails | 220 - 240V | 1 kW / 1,34 HP | 50 | 63 |
| D800 × H1800 mm | 7700002066 | 1200 | Pentax DG102 | 220 - 240V | 1,2 kW / 1,61 HP | 50 | 63 |
| | 7700002054 | | DAB FEKA VS 1000 with rails | 220 - 240V | 1 kW / 1,34 HP | 50 | 63 |

individual use
DN1000 with two pumps

Advantages of ROTO pumping stations

- + Reinforced PE shaft, resistant to deformations and negative impacts
- + Adjustable cover for fast and simple adjustment to the terrain
- + Pre-factory assembled pumping stations
- + Large selection of different submersible pumps
- + Up to 50 mm diameter of solid passage in pump
- + Optional stainless steel catching basket
- + Different options of submersible pumps

EN 12050- 2



Pump **DG102/**
DG102G



Pump **FEKA**
VS 1000

| Dimensions | Code | FEA [mm] | Pump selection | Required voltage | Pump power | Free passage [mm] | Output pipe diameter [mm] |
|------------------|------------|----------|-----------------------------|------------------|----------------|-------------------|---------------------------|
| D1000 × H2300 mm | 7700003031 | 1200 | DAB FEKA VS 1000 with rails | 220 - 240V | 1 kW / 1,34 HP | 50 | 63 |

Water tanks

Waste water treatment plants

Septic tanks

Grease separators

Oil separators

Shafts

Pumping stations

Water tanks

Waste water treatment plants

Septic tanks

Grease separators

Oil separators

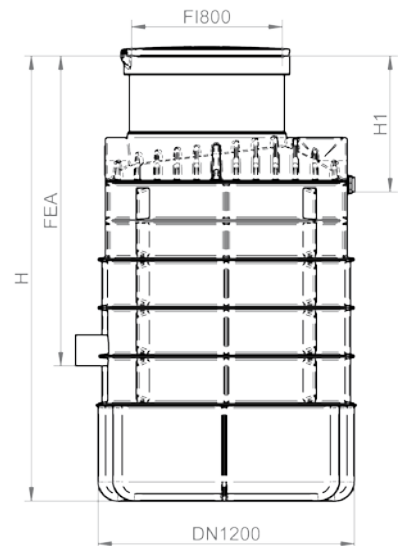
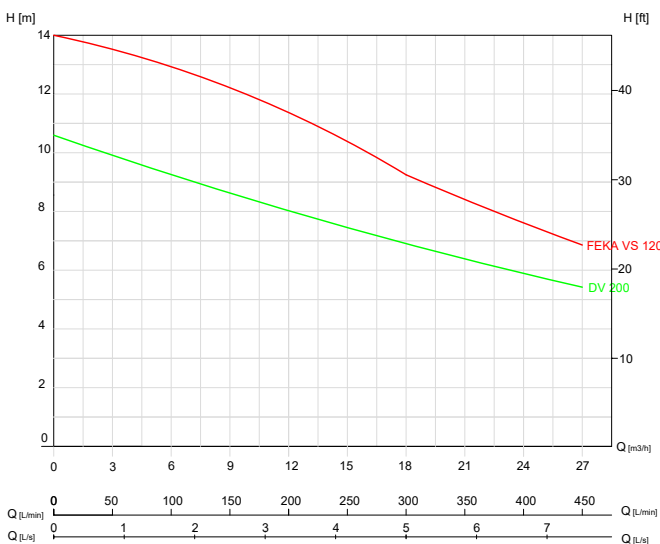
Shafts

Pumping stations

DN1200 for waste and rain water

- The upper part of the tank can have one large or two separate openings with covers DN600, depends on how many pump you would like to install.
- The bottom of the tank has places for anchoring in case of ground water.
- Simple installation thanks to the low weight of the tank/shaft components and easy connection technique.
- Long-term reliability thanks to the absolutely water-tight chamber system which is resistant to sedimentary deposits and aggressive media as well as root infiltration.
- Simple pump servicing through openings.

EN 12050- 2



| Dimensions | Code | FEA [mm] | Pump selection | Required voltage | Pump power | Free passage [mm] | Output pipe diameter [mm] |
|------------------|------------|----------|-----------------------------|------------------|------------------|-------------------|---------------------------|
| D1200 × H2300 mm | 7700005044 | 1200 | Pentax DV 200 | 220 - 240V | 1,5 kW – 2 HP | 50 | 75 |
| | 7700002031 | | DAB FEKA VS 1200 with rails | 220 - 240V | 1,2 kW / 1,61 HP | 50 | 63 |

Wastewater usually drains into the sewer network by gravity. From lower-lying houses or basements, they must be pumped to the level of the sewerage network, to a treatment plant or septic tank with the help of the RoPump house pumping station.

House pumping stations are suitable for residential and holiday houses, business facilities, farms. The maximum flow and pumping height depends on the type of pump installed in the shaft.

The pumping shaft is made in one piece without welds, from linear high density polyethylene (LLDPE).

ADVANTAGES

- Reinforced and nature-friendly shaft, resistant to deformation and negative impacts
- Quick and easy installation, without the need for construction machinery
- Factory assembled and tested pumping stations
- Possibility of pumping faecal or clean water with solid particles up to 50 mm



Water tanks

Waste water
treatment plants

Septic tanks

Grease separators

Oil separators

Shafts

Pumping stations

Water tanks



Waste water treatment plants

Septic tanks



Grease separators



Oil separators



Shafts



Pumping stations



ADDITIONAL EQUIPMENT



Water tanks

Waste water
treatment plants

Septic tanks

Grease separators

Oil separators

Shafts

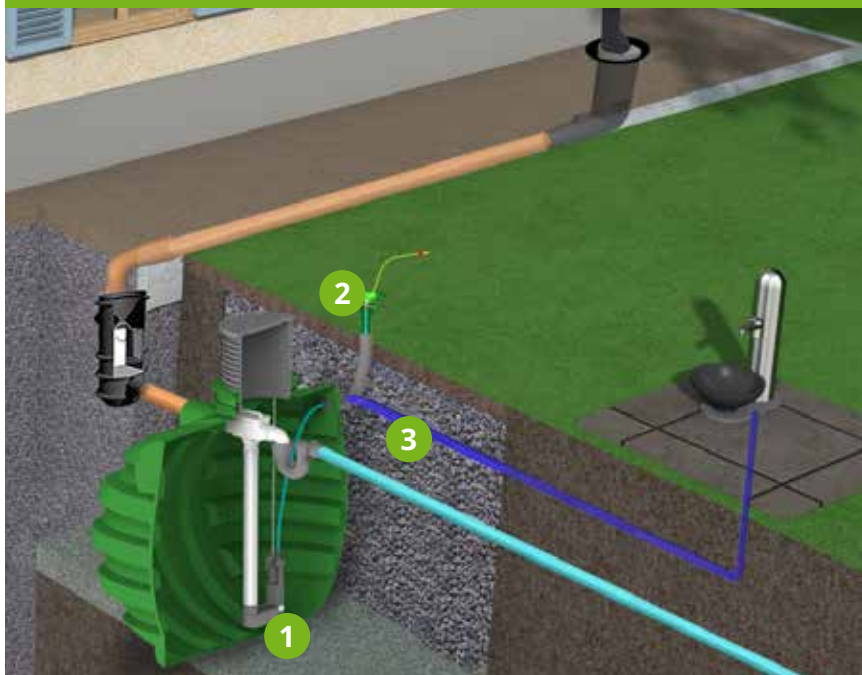
Pumping stations



Pumps for water use in the garden or in the house



Garden set

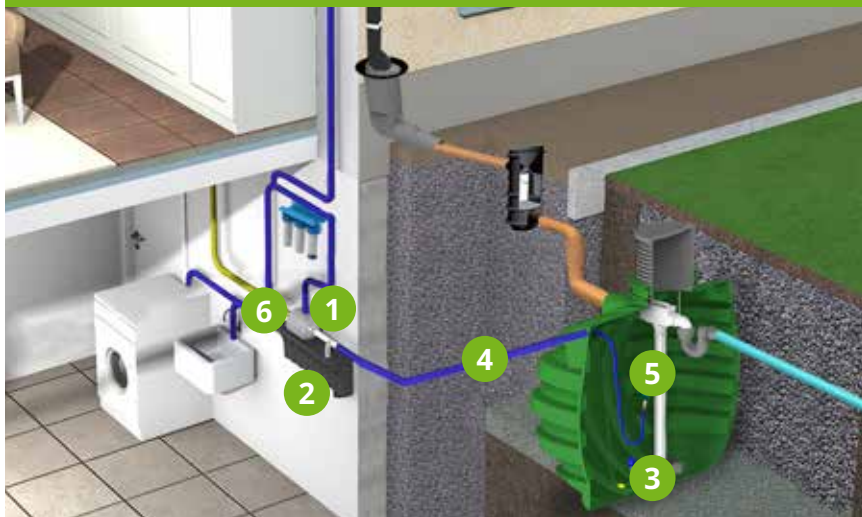


THE SET INCLUDES:

1. Submersible pump with integrated pressure switch and pressure sensor **DAB Diversion 1000** (max flow: 5.7 m³/h; maximum pumping height: 36 m; input power: 900 W; weight: 11 kg, 7 m power cable),
2. a garden mini-trough on which a watering hose can be attached,
3. pressure pipe between the pump and the inspection window.



House set



THE SET INCLUDES:

1. Household pump set **Grundfos** (max flow: 3 m³/h; maximum pumping height: 15 m; maximum service pressure: 7,5 bar; input power: 660 W)
2. storage tank (used for system security purposes, so the water distribution network is not burdened),
3. a float switch fitted with a 15 m cable,
4. 15 m vacuuming tube with a float bleed,
5. stainless filter and non-returning valve,
6. mixing valve.



The House Kit is a fully automated system that makes sure rainwater can be used in the house and garden; for the toilet, dishwasher, washing machine, car washing and more.

The House Kit is a pre-prepared pumping system ready for connection to the building. The system works by switching between two sources of water—the rainwater collected in the reservoir and the public pipeline – using a solenoid valve. It gives priority to rainwater, but when the reservoir runs out of water, the system chooses the public network. The House Kit is also upgraded with a small tank, which serves as an intermediate link, as the public network is not allowed to be directly loaded by pressure pumps. The pump is water-cooled, so it runs much quieter than air-cooled pumps.



Water tanks

Waste water treatment plants

Roterra water tanks can be connected in series or in parallel to increase the volume capacity of the whole system. Such systems are particularly useful for storing fire water near

buildings, as water storage for irrigation systems or as water storage for settlements. Joints can be made in two ways, either by flange joints or by electrofusion welding.



Connect sequential



Connect parallel

Septic tanks

Grease separators

i

Flange joint

The pipes between tanks can be joined using flanged joints. The company prepares the joining elements (flanges, end caps, seals) on the tanks. The joint is then bolted on site and can be done by the user.



Oil separators



Electrofusion welding

i

The tanks can also be connected to each other using polyethylene pipes (PE 100), which are joined together using an electrofusion welding process. Depending on how the tank is arranged (parallel or in series), different electrofusion elements are used in electrofusion welding, such as EF couplings and EF elbows. The electrofusion welding itself is carried out on site and requires welding equipment.

Shafts






Pumping stations

Connection




| Water tank type | Connector mounting location | Inlet rubber gasket | Welded pipe for connection |
|--|-----------------------------|---------------------|----------------------------|
| RoTerra 1400 from 2.200 up to 3.300 L | upper | up to DN 110 | up to DN 200 |
| | lower | / | up to DN 150 |
| RoTerra 1800 from 3.500 up to 6.000 L | upper | up to DN 150 | up to DN 300 |
| | lower | / | up to DN 150 |
| RoTerra 2300 from 8.000 up to 30.000 L | upper | up to DN 200 | up to DN 300 |
| | lower | | up to DN 300 |
| RoTerra 2450 from 30.000 up to 65.000 L | upper | up to DN 300 | up to DN 500 |
| | lower | / | up to DN 300 |



COVERS AND EXTENSIONS

| IMAGE | NAME AND CODE | DESCRIPTION | SUITABLE FOR |
|---|--|--|--|
|  | COVER DN 400 [code: 7100061710] | Cover made of PE material, load capacity up to 2 kN, dimensions Ø400 x 100 mm | RoOki 500 L RoOki 1.000 L |
|  | EXTENSION Ø400 x 200 mm [code: 7100063580] | Extension made of PE material, dimensions Ø400 x 200 mm | RoOki 500 L RoOki 1.000 L |
|  | COVER DN 500 [code: 7104111660] | Cover made of PE material, load capacity up to 2 kN, dimensions Ø500 x 80 mm | RoOki 1.500 L RoOki 3.500 L |
|  | EXTENSION Ø500 x 315 mm [code: 7104036060] | Extension made of PE material, dimensions Ø500 x 315 mm | RoOki 1.500 L RoOki 3.500 L |
|  | COVER DN 600 [code: 7100520610] | Cover made of PE material, load capacity up to 2 kN, dimension Ø600 mm | RoOki 3.000 L RoOki 5.000 L RoOki 10.000 L |
|  | EXTENSION Ø600 x 250 mm [code: 7100520630] | Extension made of PE material, dimensions Ø600 x 250 mm or Ø600 x 500 mm | RoOki 3.000 L RoOki 5.000 L RoOki 10.000 L |
|  | EXTENSION Ø600 x 500 mm [code: 7100520640] | | |
|  | TELESCOPIC EXTENSION AND COVER WITH HINGED OPENING DN 600 [code: 7600088710] | Telescopic extension with cover made of PE material, dimensions Ø600 x 400 mm | Roterra Roterra 2450 (all volumes) RoBox 5000 |
|  | ADDITIONAL EXTENSION DN 600 x 500 [code: 7113110700] | Extension made of PE material, dimensions Ø600 x 500 mm | Roterra Roterra 2450 (all volumes) |
|  | THREADED ADAPTER FOR FINE FILTER [code: 7100520320] | Threaded adapter for fine filter made of PE material, dimensions Ø800 x 585 mm | RoBox 5000 |

CAST IRON COVERS

| | | | |
|---|---|---|---|
|  | COVER AND FRAME DN 600 (600) [code: 7100520601] | Cast iron cover and frame, load capacity up to 125 kN, dimensions Ø600 mm | Roterra Roterra 2450 (all volumes) |
|  | COVER AND FRAME DN 600 (603) [code: 7100520603] | Cast iron cover and frame, load capacity up to 250 kN, dimensions Ø600 mm | Roterra Roterra 2450 (all volumes) |
|  | COVER AND FRAME DN 600 (604) [code: 7100520604] | Cast iron cover and frame, load capacity up to 400 kN, dimensions Ø600 mm | Roterra Roterra 2450 (all volumes) |

Water tanks

Waste water treatment plants

Septic tanks

Grease separators

Oil separators

Shafts

Pumping stations

Water tanks

Waste water
treatment plants

Septic tanks











Grease separators



Oil separators





Shafts



Pumping stations

COVERS AND ADAPTERS

| IMAGE | NAME AND CODE | DESCRIPTION | SUITABLE FOR |
|---|--|---|---|
|  | COVER DN 600, ASSEMBLED [code: 7100520240] | Cover with adapter made of PE material, load capacity up to 2 kN, dimensions Ø690 x 120 mm | RoCko RoVoda RoDrink (all volumes) Sand trap Ø640 |
|  | COVER DN 600 [code: 7100520190] | Cover made of PE material, load capacity up to 2 kN, dimensions Ø690 x 65 mm | RoCko RoVoda RoDrink (all volumes) Sand trap Ø640 |
|  | COVER DN 600 ADAPTER [code: 7100520310] | Adapter for cover DN 600 made of PE material, dimensions Ø690 | RoCko RoVoda RoDrink (all volumes) Sand trap Ø640 |
|  | COVER DN 800, ASSEMBLED [code: 7100520620] | Cover with adapter made of PE material, load capacity up to 2 kN, dimensions Ø855 x 130 mm | RoCko RoDrink 2450 (all volumes) |
|  | COVER DN 800 [code: 7100520600] | Cover made of PE material, load capacity up to 2 kN, dimensions Ø855 x 70 mm | RoCko RoDrink 2450 (all volumes) |
|  | COVER DN 800 ADAPTER [code: 7100520610] | Adapter for cover DN 800 made of PE material, dimensions Ø800 | RoCko RoDrink 2450 (all volumes) |
|  | COVER DN 1000, ASSEMBLED [code: 7100520970] | Cover with adapter made of PE material, load capacity up to 2 kN, dimensions Ø1135 x 160 mm | RoCko (all volumes) |
|  | COVER DN 1000 [code: 7100520870] | Cover made of PE material, load capacity up to 2 kN, dimensions Ø1135 x 85 mm | RoCko (all volumes) |
|  | COVER DN 1000 ADAPTER [code: 7100520880] | Adapter for cover DN 1000 made of PE material, dimensions Ø1000 | RoCko (all volumes) |
|  | COVER DN 800 [code: 7100901810] | Cover made of PE material, load capacity up to 6 kN, dimensions Ø800 x 100 mm | RoCko Ø2310 (vsi volumni) |
|  | EXTENSION DN 800 x 750 mm [code: 7100067020] | Extension made of PE material, dimensions Ø800 x 750 mm | RoCko Ø2310 (vsi volumni) |
|  | ARTIFICIAL GRASS COVER [code: 7100901820] | An artificial grass cover that elegantly covers the PE cover placed on the grassy areas. | |

| WASHERS | IMAGE | NAME | CODE | DIMENSIONS |
|----------------------------|---|--|--------------------|------------|
| |  | For smooth PVC / PP pipes, for sealing joints, inlets and outlets. They can be used to connect different elements (tanks, filters, sand traps, shafts ...) | | |
| |  | Rubber gasket Ø50 mm | [code: 7112803020] | Ø50 |
| | | Rubber gasket Ø110 mm | [code: 7112803040] | Ø110 |
| | | Rubber gasket Ø125 mm | [code: 7112803050] | Ø125 |
| | | Rubber gasket Ø160 mm | [code: 7112803230] | Ø160 |
| | | Rubber gasket Ø200 mm | [code: 7112803060] | Ø200 |
| CONNECTORS 1/2" up to 6/4" | [code: 7131440200] | 1/2" up to 6/4" | | |

| FILTERS | IMAGE | NAME | CODE | DIMENSIONS |
|---|---|--|--|-----------------|
| |  | BUILT-IN FILTER SET [code: 7100062480] | Already built-in filter. Components: inflow pipe DN 110, fine filter, calming and overflow siphon (D3). | 300 x 150 x 150 |
| |  | FILTER - SIEVE [code: 7181530010] | Filter - sieve, which is mounted on the neck of the tank and allows the filtration of larger particles (leaves, branches ...) | Ø400 x 200 |
| |  | SANITARY WATER FILTER ON THE DISTRIBUTION NETWORK [code: 7100065490] | Combined water filtration system for complete purification of water used in the household. It thoroughly cleans mechanical particles, chlorine and removes any bad smell or taste from the water. If necessary, a UV disinfection device can be installed behind the filter. | / |
|  | DRINKING WATER FILTER ON THE DISTRIBUTION NETWORK [code: 7100092810] | A domestic water station that provides well-purified and microbiologically safe drinking water. Water filtration and UV disinfection system. | / | |

| RAIN GUTTER SHAFTS | IMAGE | NAME | CODE | DIMENSIONS |
|---|---|--|---|------------|
| |  | GUTTER MANHOLE (SEWER) L [code: 7100070950] | The duct is the link between the gutter and the inlet pipes to the tank. Adjust the lid according to the shape and size of the spout. Outflow DN 110, 125, 160. | Ø250 x 600 |
|  | GUTTER MANHOLE (SEWER) I [code: 7100520080] | The duct is the link between the gutter and the inlet pipes to the tank. Outflow DN 110, 125, 160. | Ø250 x 420 | |

Water tanks

Waste water treatment plants

Septic tanks

Grease separators

Oil separators

Shafts

Pumping stations

| | IMAGE | NAME | CODE | DIMENSIONS |
|---------------------|---|---|--|-------------|
| SAND TRAPS |  | The sand and leaves from the roof are separated from the water in the sand trap. The inlet / outlet washers are DN 110 and DN 125. There are two versions available with or without a carbon filter and mesh. | | |
| | | SAND TRAP Ø400 x 1000 | [code: 7100066373] | Ø400 x 1000 |
| | | SAND TRAP Ø400 x 1500 | [code: 7100066353] | Ø400 x 1500 |
| | | SAND TRAP Ø500 x 1000 | [code: 7600059520] | Ø500 x 1000 |
| | | SAND TRAP Ø500 x 1500 | [code: 7600059540] | Ø500 x 1500 |
| | | SAND TRAP Ø640 x 1000 | [code: 7600074450] | Ø640 x 1000 |
| GULLIES |  | ROAD GULLIE Ø400 x 800 | [code: 7100076480] | Ø400 x 800 |
| | | ROAD GULLIE Ø400 x 1300 | [code: 7100076490] | Ø400 x 1300 |
| WITH FILTER |  | SAND TRAP WITH FILTER Ø400 x 800 AND COVER | [code: 7100065970] | Ø400 x 800 |
| | | SAND TRAP WITH FILTER Ø640 x 800 AND COVER | [code: 7100074500] | Ø640 x 800 |
| LEVEL GAUGES |  | WATER LEVEL GAUGE - BASIC Manufacturer: Apolo [code: 7100065560] | Remote wireless water level display. Reach up to 300 m. Easy installation and battery powered. | / |
| |  | WATER LEVEL GAUGE - PROFI Manufacturer: Navis [code: 8001230] | Remote wireless water level display. Reach up to 300 m. Easy installation and battery powered. | / |
| FINE FILTERS |  | FINE FILTER Ø400 x 430 mm FOR UP TO 400 m² ROOF AREA [code: 7100092800] | It allows efficient cleaning of water flowing from the roof. Inflow 2x DN 110, outflow DN 110 and DN 125. | Ø400 x 450 |
| |  | FINE FILTER DUO FOR UP TO 700 m² ROOF AREA [code: 7100066180] | It allows efficient cleaning of water flowing from the roof. Inflow je 2x DN 100 / DN 150, outflow 2x DN 100 / DN 150. | 873 x 680 |
| |  | EXTENSION FOR FINE FILTER Ø400 [code: 0009282] | Extension for fine filter Ø400. | / |

| | Name | Type of waste water treatment plant | Material and use | Code | Dimensions |
|---|------|---|---|--|---|
|  | P4 | RoEco 3 - 5PE BioCko 2-10 PE | Polyethylene For external use | 7200088310 | 455 x 235 x 1350 |
|  | P5 | EcoBox 2 - 9PE EcoBox WEB 2 - 9PE RoMem 4-6PE RoClean 20-40PE RoClean WEB 4-40PE BioCko 11-45 PE | Polyethylene For external use | 7200088670 | 350 x 450 x 1350 |
|  | P6 | RoEco 8PE RoClean 4-16PE VodalyS 6-14 PE | Polyethylene For internal and external use | Upper part: 7200088020 7200088040 Lower part: 7200088030 | Upper part: 450 x 355 x 800 Lower part: 470 x 420 x 830 (1630) |
|  | B8 | RoClean 50-300 PE RoClean WEB 50-300 PE RoGreen 100-300 PE | Concrete For external use | 7102150940 | 1380 x 640 x 835 |
|  | B13 | RoGreen 400-500 PE | Concrete For external use | 7102150950 | 1380 x 640 x 1140 |

Water tanks

Waste water treatment plants

Septic tanks

Grease separators

Oil separators

Shafts

Pumping stations



We provide the user and the maintenance service with a fast delivery of all spare parts and technical assistance in maintenance. Spare parts and maintenance equipment can be ordered through the roto online store www.shop-roto.si

Compressors

| | Flow [l/min] | Code |
|-------------------|--------------|---------|
| compressor AL 80 | 80 | 7111056 |
| compressor AL 120 | 120 | 7111049 |
| compressor AL 150 | 150 | 7111030 |
| compressor AL 250 | 250 | 7111036 |
| compressor AL 300 | 300 | 7111032 |



Air pipes, valves, air diffusers






| | Type of WWTP | Code |
|-----------------------------|-----------------|------------|
| pipe DN13x20 | RoClean | 1210204 |
| pipe DN19x26 | RoEco | 1210330 |
| electromagnetic valve | RoClean | 3144170 |
| electromagnetic valve | RoEco | 3144008 |
| plate difuzor | RoClean, EcoBox | 1210297 |
| 1x pipe difuzor with weight | RoClean, EcoBox | 7200140000 |
| 2x pipe difuzor with weight | RoClean, EcoBox | 7200140010 |
| 4x pipe difuzor with weight | RoClean, EcoBox | 7200140020 |
| pipe difuzor | RoEco | 0006910 |



Sample shaft

| Volume | Dimensions (mm) | Code |
|------------------|------------------|------------|
| 5 L | 1000 x 225 x 350 | 7200088160 |
| 16 L | 280 x 280 x 380 | 7200088140 |
| 56 L | 400 x 1500 | 7600066350 |
| Ladle for sample | | 7200888140 |
| Measurecylinder | | 7208001206 |



| | PICTURE | NAME AND CODE | DESCRIPTION | OIL SEPARATOR |
|---------------------------------|---|---|---|--------------------------------------|
| ALARM FOR OIL SLUDGE |  | ALARM FOR OIL [code: 7300088230] | Separators should be provided with a visual and audible oil alarm. This operates when the oil level reaches 90% of the oil storage volume and indicates that the separator needs immediate emptying for it to continue to work effectively. | All oil separators |
| | | ALARM FOR SLUDGE [code: 7300088240] | | |
| | | ALARM FOR OIL AND SLUDGE [code: 7300088250] | | |
| | | ALARM FOR OIL SLUDGE AND HIGH LEVEL [code: 7312900250] | | |
| OIL SEPARATORS EQUIPMENT |  | SAMPLING SHAFT [code: 7600066370] | Sampling Shaft makes it possible to monitor the quality of the water on outflow. | All oil separators |
| |  | OIL DETECTION PASTE | Oil detection paste, detect the present and amount of the oil inside the oil separators | All oil separators |
| |  | MANUAL MEASURING KIT | Manual measuring kit for oil and sludge (until 6,5 m) kit contains: sampling stick, measuring tape, carrying bag and cleaning towel | All oil separators |
| |  | MANUAL LEVEL METER | Manual level meter integrated on automatic closing device | All oil separators |
| |  | AUTOMATIC CLOSURE DEVICE | ACD until inflow pipes DN160 ACD over inflow pipes DN200 | All oil separators |
| CAST IRON COVERS |  | COVER AND FRAME DN 600 (600) [code: 7100520601] | Cast iron cover and frame, load capacity up to 125 kN, dimensions Ø600 mm | All oil separators |
| |  | COVER AND FRAME DN 600 (603) [code: 7100520603] | Cast iron cover and frame, load capacity up to 250 kN, dimensions Ø600 mm | All oil separators |
| |  | COVER AND FRAME DN 600 (604) [code: 7100520604] | Cast iron cover and frame, load capacity up to 400 kN, dimensions Ø600 mm | All oil separators |
| ALARM FOR GREASE |  | ALARM DEVICE FOR GREASE DETECTION [code: 7300088520] | Alarm device that monitors grese layer in the seperator | All grease and oil separators |
| |  | ALARM DEVICE FOR GREASE DETECTION AND HIGH FLUID LEVEL DETECTION [code: 7300088241] | Alarm device that monitors grese layer and high levels of fluid in the seperator | All grease and oil separators |

Water tanks

Waste water treatment plants

Septic tanks

Grease separators

Oil separators

Shafts

Pumping stations

RoPump

High level alarm

[Code: 7200088850]

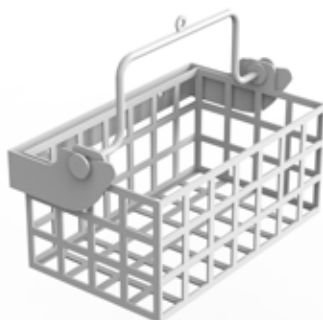


Basket

D600 [Code: R000285]
D800 [Code: R000278]
D1200 [Code: R000417]

Fixing of the basket

D600 [Code: R000294]
D800 [Code: R000401]
D1200 [Code: R000401]



Cabinet for control panel

[Code: 7200088310]



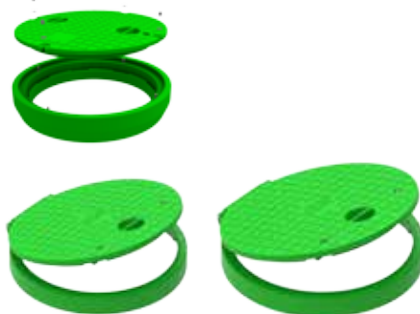
Additional extension

D600 x 500 [Code: 7700000020]
D800 x 750 [Code: 0080305]



Cover + extension

DN600 [Code: 7700000020]
DN800 [Code: 7100520620]
DN1000 [Code: 7100520970]



Basket rail

D600, H725 [Code: R000386]
D600, H1025 [Code: R000387]
D800, H725 [Code: R000388]
D800, H1025 [Code: R000389]
D1200, H1077 [Code: R000416]



SMART EVO 1 (230V) [Code: 1290014]
SMART EVO 1 (GSM) [Code: 1290087]
SMART EVO 2 (230V) [Code: 1290015]
SMART EVO 2 (GSM) [Code: 1290088]
SMART EVO 2 (3F, 7,5kW) [Code: 1290089]
Express D2-MONO [Code: 1290090]

Control unit

SMART EVO combines several functions in a single product; panels for clean water (emptying, filling, pressurisation, etc) and sewage pump panels (emptying and sewage water). SMART EVO offers even more function, safety and control, raising the standard without extra cost!

The SMART EVO control panels are made in an original Elentek thermoplastic ABS design box – they are watertight and self-extinguishing. Each panel has LED lights signaling voltage presence, thermal protection and motor running, and a main switch interlocking door, push buttons for manual or automatic operation, and level relay for probes volt free alarm contacts.

The users and external controls such as float switches and pressure switches are to be connected on the terminals of the main electronic board.

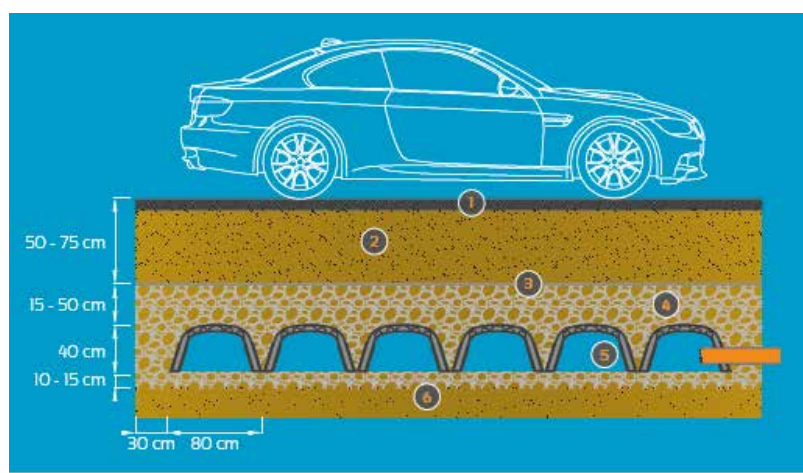


infiltration surface
resistant
light weight

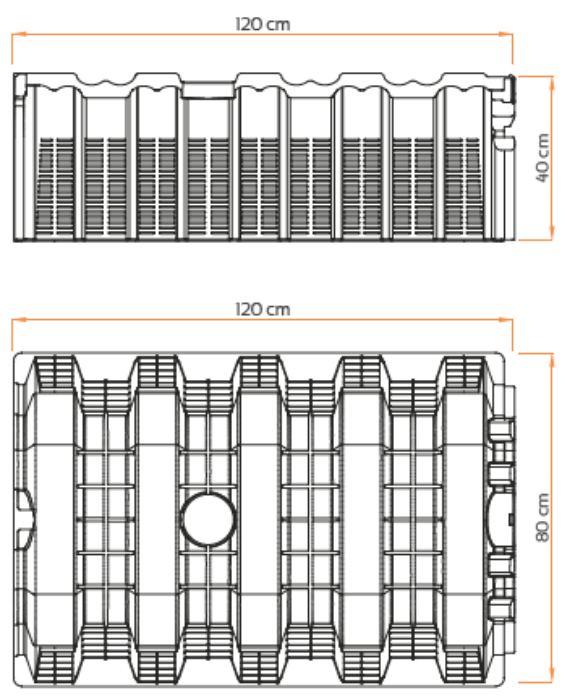
| Product | Volume [L] | Code | Dimension [mm] |
|---------------------|------------|------|------------------|
| Infiltration tunnel | 310 | 8826 | 1200 x 800 x 400 |
| Cap | - | 8838 | 700 x 400 |



- Drening is made of HDPE (high density regenerated polyethylene)
- Drening is a modular element.
- It is designed for the creation of underground retention ponds used for "in-situ" rainwater management.



- 1 Road finishing
- 2 Covering
- 3 Geotextile
- 4 Washed gravel 20/40 mm
- 5 Drening
- 6 Existing ground



Installation instructions for **Roto water tanks**

When digging the tank in, the instructions must be followed. In cases where simple self-installation is not possible, please consult the manufacturer or relevant experts. Avalanches, floods and other difficult terrain require the advice of an experienced professional. We also offer advice and a presence at the time of installation to ensure correct and quality installation.



1. TRANSPORT OF THE TANK

The tank must be on a level surface during transport. Care must be taken to avoid any sharp edges that could damage the tank. The tank should be secured to the means of transport with polyester or similar straps. Care must be taken to ensure that the belts are not too tight.



6. BACKFILL MATERIAL

The material used to fill the tank must be of the correct granulation. The material must be washed free of ice or snow, clay, particles of coarse granulation and other organic particles. Suitable material is sandy gravel or crushed stone with a granular size of 4–16 mm.



2. HANDLING THE TANK ON SITE

The tank is lifted and carried using lifting straps. Attach the lifting straps to the tank clamps or to the marked positions. The tank should be moved using suitable construction equipment, taking care to avoid damage to the tank. The tank must not be rolled or dragged.

Backfilling and compaction of the backfill material should be carried out in phases or in 300 mm thick layers. The tank must be filled with water at the same time, so that the level of backfill material and water in the tank is the same at all times. This gives the same lateral pressure on the tank wall. Each layer must be well consolidated with lightweight compaction machines. When backfilling, the elevation and cover must be placed on the tank.



3. TEMPORARY STORAGE

The tank must be stored on a suitable, level and smooth surface. You should be aware of any sharp objects on the ground that could cause damage to the tank. If the tank is damaged before installation, this must be reported immediately to the manufacturer. Repairs should be carried out in accordance with the manufacturer's written instructions.



7. ANCHORING THE TANK

Anchor lugs (20 mm diameter stainless steel rod) must be installed in the base plate. A rope or cable made of stainless steel and resistant material should be attached to the anchor lugs using wire clips. The rope or wire rope is tensioned using a tension nut. All fixing materials should be made of stainless steel. To prevent direct pressure of the rope on the container, place a geotextile (approx. 100 mm wide) between the surface of the tank and the rope. On the tank on which the clamps are installed, the anchoring should be executed at the clamp lugs. Polyester straps can also be used instead of stainless steel ropes.



4. BEFORE INSTALLATION or BUILDING IN

Before installing the tank, the composition and properties of the soil must be carefully checked. The floor of the construction pit must be hardened and stable. In case of poor bearing capacity of the ground, a cushion with gravel material 40 cm thick or concrete must be constructed. The cushion must be consolidated to a minimum compaction of 60 MPa. Excavated material must be removed from the excavation pit so that it does not mix with the backfill material.



8. AB BASE PLATE

The reinforced concrete base slab should be placed on a hardened base. The minimum thickness of the AB foundation slab is 200 mm (sizing to be carried out by a structural engineer). It should be reinforced with two reinforcing nets. The base plate should be 600 mm wider than the floor dimensions of the tank.



5. EXCAVATION DIMENSIONS

The floor area of the construction pit should be 60–100 cm larger than the floor area of the tank. The tank must be a minimum of 150 cm from the building and a minimum of 200 cm from the carriageway. If the type of terrain permits, dig a construction pit with walls as vertical as possible (the embankment angle of the soil and safe working measures must be taken into account). All applicable safety and building regulations must be observed during installation. The depth of the excavation must be coordinated with the design and dimensions of the tank.



9. TRAFFIC LOAD

The traffic load must not be transferred directly to the tank. Therefore, an AB relief slab must be constructed above the tank. The AB slab is dimensioned by a structural engineer according to the load and the AB slab must be properly supported. In case of traffic loads, an iron cast cover must be installed on the tank.



10. PHOTODOCUMENTATION OF INSTALLATION

In order to claim the warranty in case of damage to the tank, the entire installation must be photodocumented. The manufacturer shall not be held liable for any damage to the tank caused during the digging process in case of incorrect installation of the tank.

Easy installation – **WALKING AREA**



1. PHASE - Pit preparation

The floor area of the construction pit must be 60–100 cm larger than the floor area of the tank. If the type of terrain permits, dig a construction pit with walls as vertical as possible (the embankment angle of the soil and safe working measures must be taken into account).

The planum of the construction pit must be level and consolidated. If the soil is less load-bearing, a rehabilitation cushion with gravel material 40 cm thick or lean concrete is required. The rehabilitation cushion must be consolidated to a minimum compaction of 60 MPa

A sand bed at least 15 cm thick shall be laid on the prepared sub-base. Sand with a granulation of 0–4 mm is placed in the construction pit and levelled.



2. PHASE – installation in the pit

Carefully place the tank on a level sand bed (lifted by a suitable mobile lifting or working machine) and level it using a water balance.

Adjust the tank extensions (inspection openings) to the final ground level.

The telescopic extension adjusts to the final terrain by tightening and loosening. The integrated extension is adjusted by removing the adapter with the cover and cutting the neck to the appropriate final ground level.

It is important that the extension and the cover are placed on the tank when backfilling.



3. PHASE – backfill

Backfill the tank up to 30 cm measured from the bottom of the tank with 4–16 mm fraction and simultaneously fill it with water up to 30 cm measured from the bottom of the tank (fill all compartments).

Care must be taken to ensure that the fraction is well fed under the rounded parts of the tank. The filling of the tank with water and backfilling with fraction is repeated in 30 cm increments until the tank is backfilled to the first connection.

When backfilling the tank, we need to pay attention to the level of the connections (inlet, outlet, etc.) to ensure that they are made in time.



4. PHASE – Final embankment

Once the connections have been properly connected and are watertight, the pit is backfilled with fraction up to the last 25 cm.

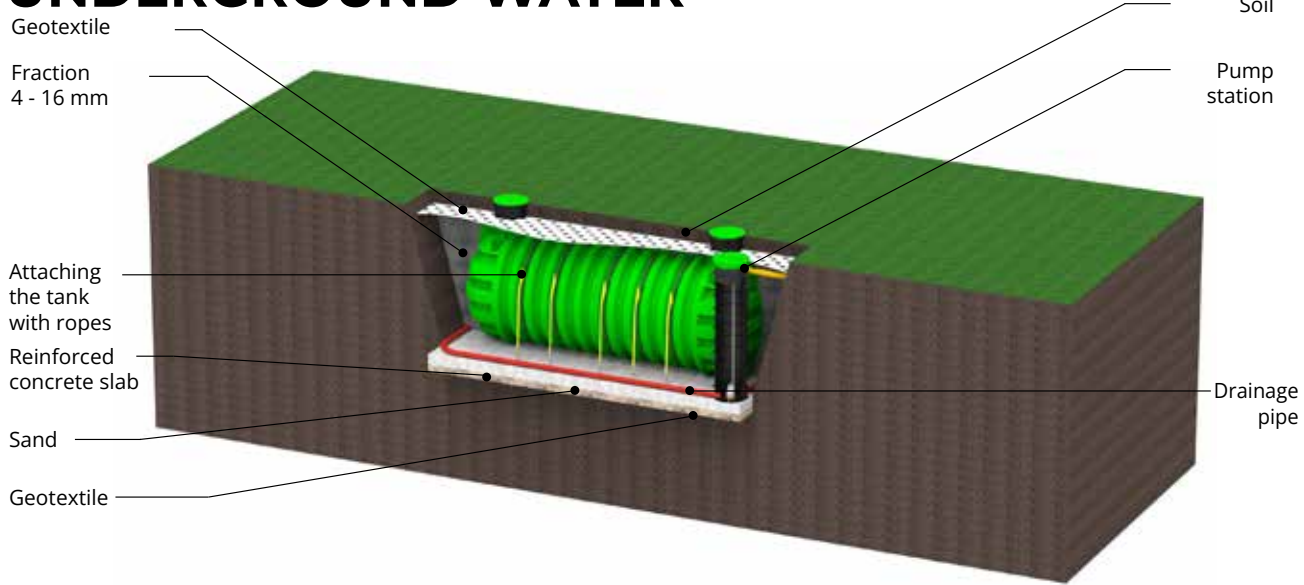
Place geotextile over the backfill with 4–16 mm fraction – over the entire tank area.

The last 25 cm of backfill is made with the soil excavated when digging the construction pit. Care must be taken not to fill the tank lid.

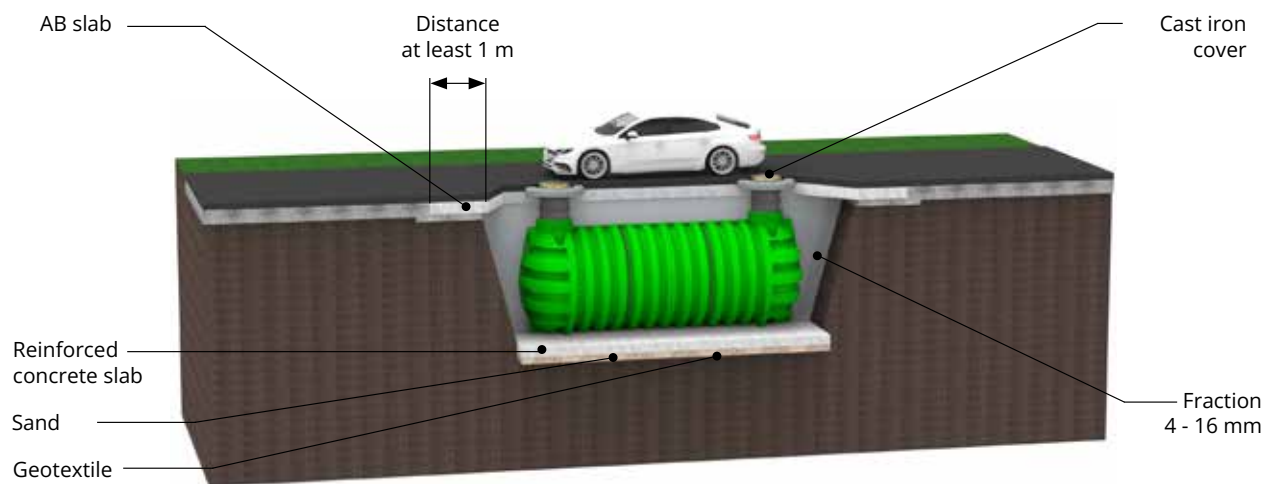
The maximum height of the embankment above the top of the tank is 80 cm.

In case of impermeable terrain, drainage around the tank is mandatory.

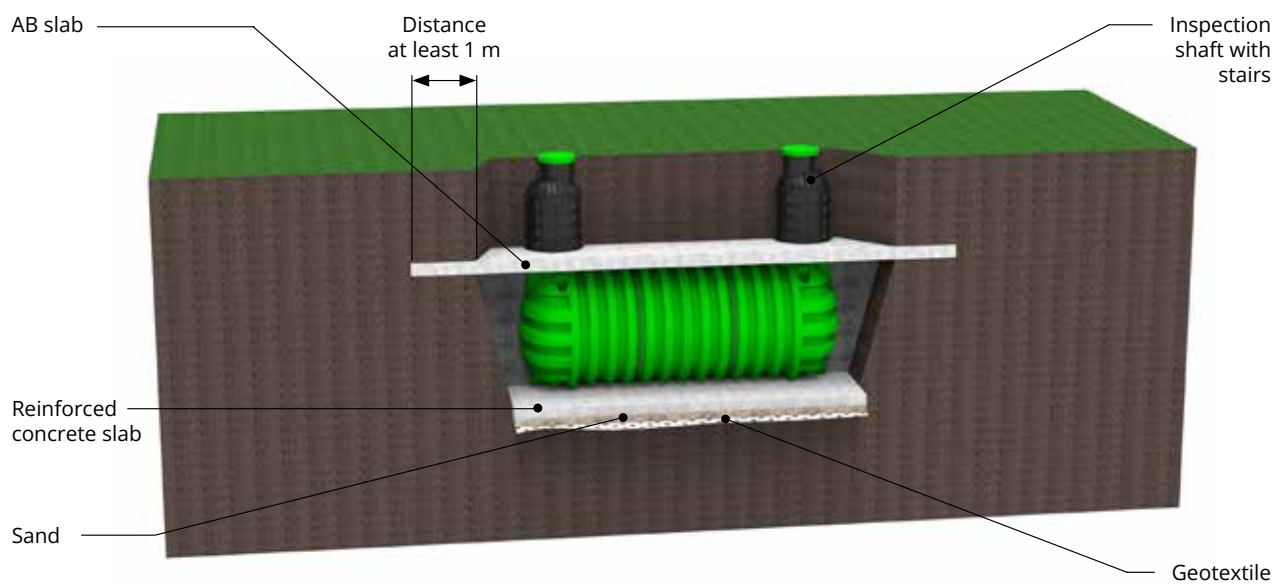
UNDERGROUND WATER



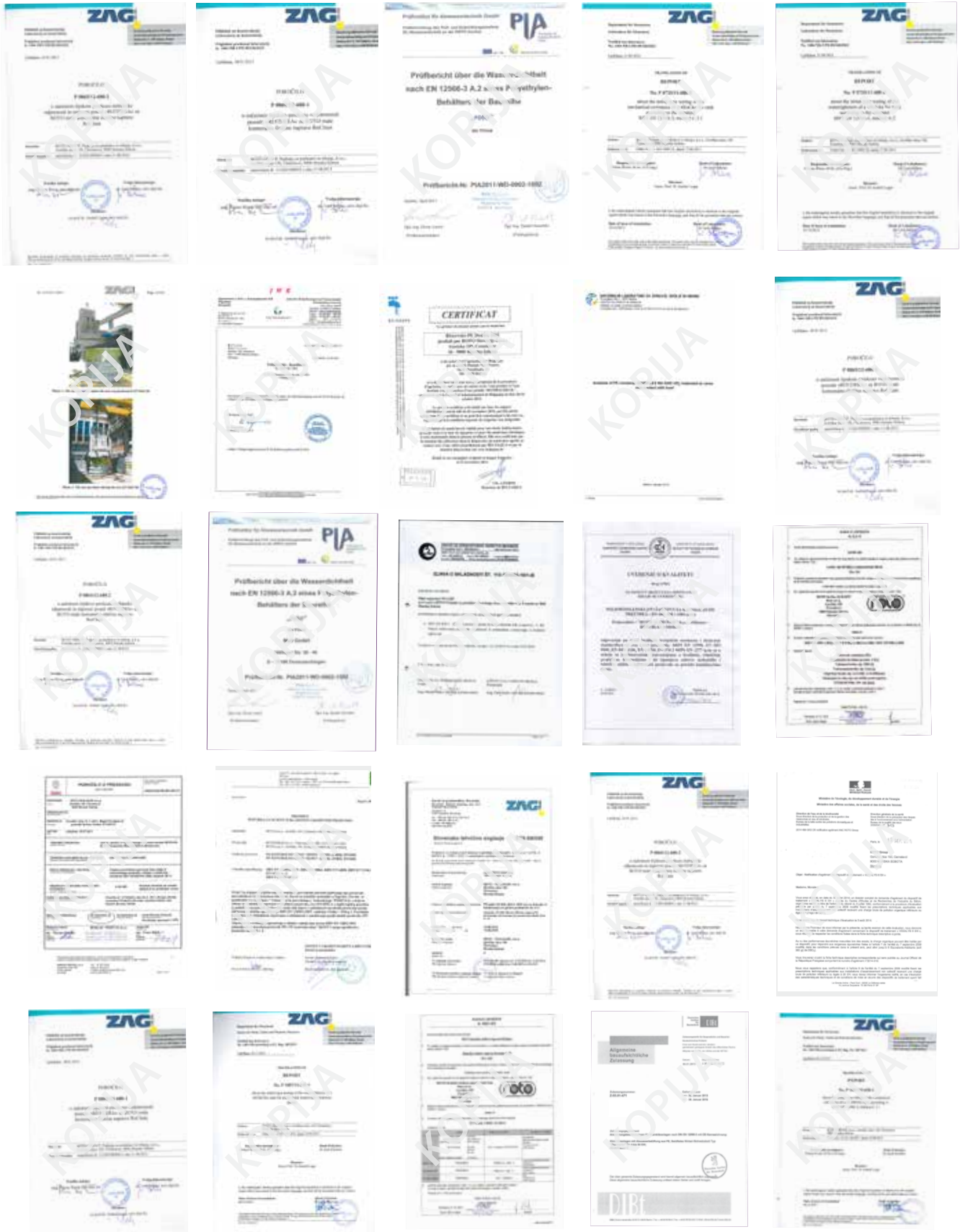
ROAD SURFACES



DEEP INSTALLATION



Certificates





YOUR PARTNER:

RIMÓCZI ÉS TÁRSA KFT.

Vasvári Pál utca 6., 1181 Budapest

Tel: +36 1 297 0300

Email: roto@rimoczifilters.com

www.rimoczifilters.com